

# AEG

## POWERTOOLS

**BS 12G, BS 14G, BSB 12G, BSB 14G**

**Original instructions**

**Originalbetriebsanleitung**

**Notice originale**

**Istruzioni originali**

**Manual original**

**Manual original**

**Oorspronkelijke gebruiksaanwijzing**

**Original brugsanvisning**

**Original bruksanvisning**

**Bruksanvisning i original**

**Alkuperäiset ohjeet**

**Πρωτότυπο οδηγιών χρήσης**

**Orijinal işletme talimatı**

**Původním návodem k používání**

**Pôvodný návod na použitie**

**Instrukcją oryginalną**

**Eredeti használati utasítás**

**Izvirna navodila**

**Originalne pogonske upute**

**Instrukcijām oriģinālvalodā**

**Originali instrukcija**

**Algupärane kasutusjuhend**

**Оригинальное руководство по эксплуатации**

**Оригинално ръководство за експлоатация**

**Instrucțiuni de folosire originale**

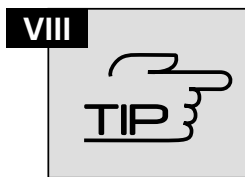
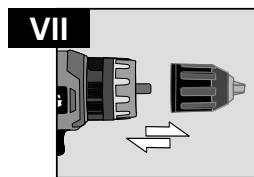
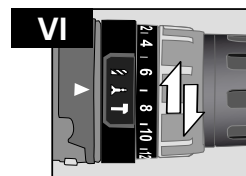
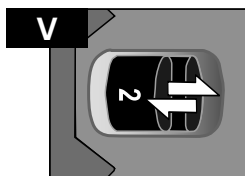
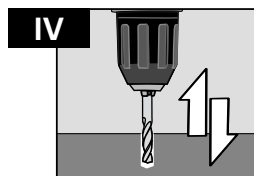
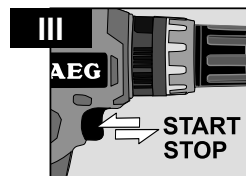
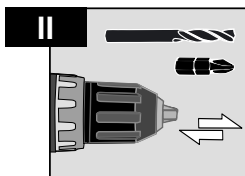
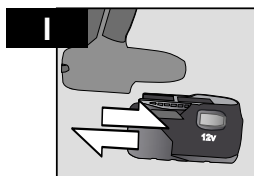
**Оригинален прирачник за работа**

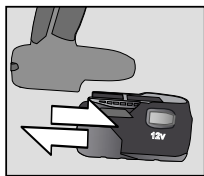
**原始的指南**

**التعليمات الأساسية**

Technical Data, safety instructions, Specified Conditions of Use, EC-Declaration of Conformity, Batteries, Characteristics, Maintenance, Symbols	Bitte lesen und aufbewahren!	<b>English</b>	<b>11</b>
Technische Daten, Sicherheitshinweise, Bestimmungsgemäße Verwendung, CE-Konformitätserklärung, Akkus, Merkmale, Wartung, Symbole	Please read and save these instructions!	<b>Deutsch</b>	<b>13</b>
Caractéristiques techniques, Instructions de sécurité, Utilisation conforme aux prescriptions, Déclaration CE de Conformité, Accus, Description, Entretien, Symboles	A lire et à conserver soigneusement	<b>Français</b>	<b>15</b>
Dati tecnici, Norme di sicurezza, Utilizzo conforme, Dichiarazione di Conformità CE, Batterie, Breve Indicazione, Manutenzione, Simboli	Si prega di leggere e conservare le istruzioni!	<b>Italiano</b>	<b>17</b>
Datos técnicos, Instrucciones de seguridad, Aplicación de acuerdo a la finalidad, Declaración de Conformidad CE, Batería, Señalización, Mantenimiento, Símbolos	Lea y conserve estas instrucciones por favor!	<b>Español</b>	<b>19</b>
Características técnicas, Instruções de segurança, Utilização autorizada, Declaração de Conformidade CE, Acumulador, Características, Manutenção, Símbolo	Leia e guarde!	<b>Português</b>	<b>21</b>
Technische gegevens, Veiligheidsadviezen, Voorgeschreven gebruik van het systeem, EC-Konformiteitsverklaring, Akku, Kenmerken, Onderhoud, Symbolen	Lees en let goed op deze adviezen!	<b>Nederlands</b>	<b>23</b>
Tekniske data, Sikkerhedshenvisninger, Tilrækt formål, CE-Konformitetserklæring, Batteri, Beskrivelse, Vedligeholdelse, Symboler	Vennligst les og oppbevar!	<b>Dansk</b>	<b>25</b>
Tekniske data, Spesielle sikkerhedshenvisninger, Formålmessig bruk, CE-Samsvarserklæring, Batterier, Kjennetegn, Vedlikehold, Symboler	Vennligst les og oppbevar!	<b>Norsk</b>	<b>27</b>
Tekniska data, Säkerhetsutrustning, Använd maskinen Enligt anvisningarna, CE-Försäkran, Batterier, Kännemärke, Skötsel, Symboler	Läs igenom och spara!	<b>Svenska</b>	<b>29</b>
Tekniset arvot, Turvallisuusohjeet, Tarkoituksenmukainen käyttö, Todistus CE-standardinmukaisuudesta, Akku, Ominaisuudet, Huolto, Symbolit	Lue ja säilytö!	<b>Suomi</b>	<b>31</b>
Τεχνικά Στοιχεία, Ειδίκες Υποδείξεις Ασφαλείας, Χρήση Συμφωνα Με Το Σκοπο Προορισμού, Δήλωση Πιστοτητας Εκ Συντήρησης, Ηλεκτρονική Ρυθμιση, Συμβολα, Μπαταρίες	Παρακαλείσθε να τις διαβάσετε και να τις φυλάξετε!	<b>Ελληνικά</b>	<b>33</b>
Teknik veriler, Güvenliğinizi için talimatlar, Kullanım, CE uygunluk beyanince, Akü, Özellikler, Bakım, Semboller	Lütfen okuyun ve saklayın	<b>Türkçe</b>	<b>35</b>
Technická data, Speciální bezpečnostní upozornění, Oblast využití, Ce-prohlášení o shodě, Akumulátory, Upozornění, Údržba, Symboly	Po přečtení uschovejte	<b>Česky</b>	<b>37</b>
Technické údaje, Špeciálne bezpečnostné pokyny, Použitie podľa predpisov, CE-Vyhlasenie konformity, Akumulátory, Znaký, Údržba, Symboly	Prosim prečítať a uschovať!	<b>Slovensky</b>	<b>39</b>
Dane techniczne, Specjalne zalecenia dotyczące bezpieczeństwa, Użytkowanie zgodne z przeznaczeniem, Świadcstwo zgodności ce, Baterie akumulatorowe, Właściwości, Gwarancja, Symbola	Prosimy o uważne przeczytanie i przestrzeganie zaleceń zamieszczonych w niniejszej instrukcji.	<b>Polski</b>	<b>41</b>
Műszaki adatok, Különleges biztonsági tudnivalók, Rendeltetésszerű használat, Ce-azonossági nyilatkozat, Akkuk, Jellegetetésegek, Karbantartás, Szimbólumok	Olvassa el és őrizze meg	<b>Magyar</b>	<b>43</b>
Tehnični podatki, Specialni varnostni napotki, Uporaba v skladu z namembnostjo, Ce-izjava o konformnosti, Akumulatorji, Značilnosti, Vzdrževanje, Simboli	Prosimo preberite in shranite!	<b>Slovensko</b>	<b>45</b>
Tehnički podaci, Specijalne sigurnosne upute, Propisna upotreba, CE-izjava konformnosti, Baterije, Obilježja, Održavanje, Simboli	Molimo pročitati i sačuvati	<b>Hrvatski</b>	<b>47</b>
Tehniske dati, Speciālie drošības noteikumi, Noteikumiem atbilstošs izmantojums, Atbilstība CE normām, Akumulātori, Paziemes, Apkope, Simboli	Pielikums lietošanas pamācībai	<b>Latviešu</b>	<b>49</b>
Techniniai duomenys, Ypatingos saugumo nuorodos, Naudojimas pagal paskirtį, CE Atitikties pareiškimas, Akumulatoriai, Požymiai, Techninis aptarnavimas, Simboliai	Prašome perskaityti ir neišmesti!	<b>Lietuviškai</b>	<b>51</b>
Tehnilised andmed, Spetsiaalsed turvajuhised, Kasutamine vastavalt otstarbele, EU Vastavusavaldus, Akud, Tunnused, Hooldus, Sümbolid	Palun lugege läbi ja hoidke alal!	<b>Eesti</b>	<b>53</b>
Технические данные, Рекомендации по технике безопасности, Использование, Аккумулятор, Характеристики, Обслуживание, Символы	Пожалуйста прочтите и сохраните эту инструкцию.	<b>По-русский</b>	<b>55</b>
Техническидания, Специализируваниязабезопасност, Използванепопредназначение, CE-Декларациязаответствие, Аккумулятори, Характеристики, Поддръжка, Символи	Моля прочетете и запазете!	<b>Български</b>	<b>57</b>
Date tehnice, Instrucțiuni de securitate, Condiții de utilizare specificate, Declarație de conformitate, Alimentare de la rețea, Caracteristici, Intreținere, Simboluri	Va rugăm citiți și păstrați aceste instrucțiuni	<b>Română</b>	<b>59</b>
Технички Податоци, Упатство За Употреба, Специфицирани Услови На Употреба, Еу-Декларација За Сообразност, Батерији, Карактеристики, Одржување, Символи	Ве молиме прочитајте го и чувајте го ова упатство!	<b>Македонски</b>	<b>61</b>
技术数据, 特殊安全指示, 正确地使用机器, 欧洲安全规定说明, 蓄电池, 特点, 维修, 符号	请详细阅读并妥善保存!	<b>中文</b>	<b>63</b>
تعليمات السلامة، شروط الاستخدام المحددة، توصيل الموصلات الرئيسية، إعلان المطابقة - الاتحاد الأوروبي، الصيغة الإلكترونية، الرموز	يرجى قراءة وحفظ هذه التعليمات!	<b>العربية</b>	<b>65</b>







Antes de efectuar qualquer intervenção na máquina retirar o bloco acumulador.

Voor alle werkzaamheden aan de machine de accu verwijderen.

Ved arbejdet inden i maskinen, bør batteriet tages ud.

Ta ut vekslebatteriet før du arbeider på maskinen

Drag ur batteripaket innan arbete utföres på maskinen.

Tarkista pistolulppa ja verkkojohto mahdollisista vaurioista. Viat saa korjata vain alan erikoismies.

Πριν από κάθε εργασία στη μηχανή αφαιρείτε την αναλλακτική μπαταρία.

Aletin kendinge bir çalışma yapmadan önce kartuş aküyü çıkarın.

Před zahájením veškerých prací na vrtacím šroubováku vyjmout výměnný akumulátor.

Pred každou pracou na stroji výmenný akumulátor vyťahnuť.

Przed przystąpieniem do jakichkolwiek prac na elektronarzędziu należy wyjąć wkładkę akumulatorową.

Karbantartás, javítás, tisztítás, stb. előtt az akkumulátort ki kell venni a készülőkből.

Pred deli na stroju izvlécite izmenljivi akumulator.

Prije svih radova na stroju izvaditi bateriju za zamjenu.

Pirms mašīnai veikt jebkāda veida apkopes darbus, ir jāizņem arī akumulators.

Prieš atlikdami bet kokius darbus įrenginyje, išimkite keičiamą akumuliatorių.

Enne kõiki töid masina kallal võtke vahetatav aku välja.

Выньте аккумулятор из машины перед проведением с ней каких-либо манипуляций.

Преди започване на каквито е да е работи по машината извадете акумулатора.

Îndepartați acumulatorul înainte de începerea lucrului pe mașina.

Отстранете ја батеријата пред да започнете да ја користите машината.

在机器上进行任何维护工作之前，先拿出蓄电池。

انزع البطارية قبل التعامل مع الجهاز.

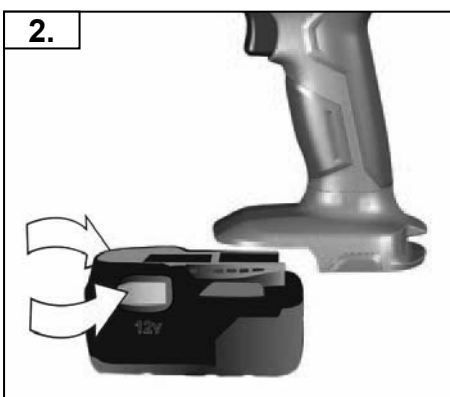
Remove the battery pack before starting any work on the machine.

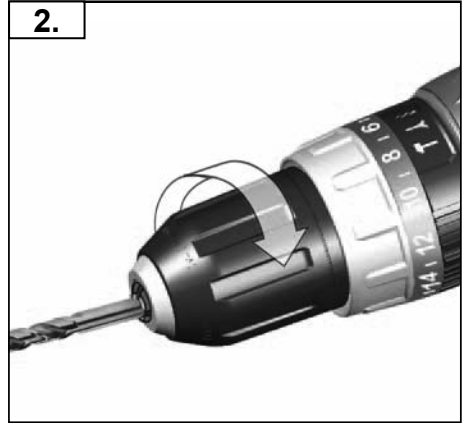
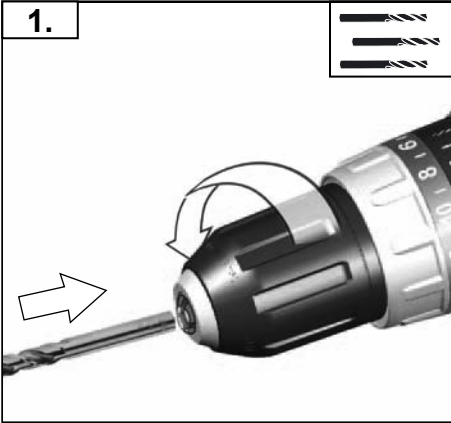
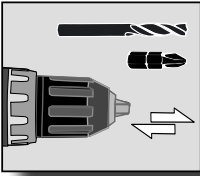
Vor allen Arbeiten an der Maschine den Wechselakku herausnehmen

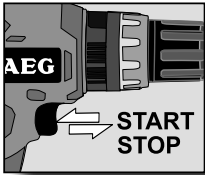
Avant tous travaux sur la machine retirer l'accu interchangeable.

Prima di iniziare togliere la batteria dalla macchina.

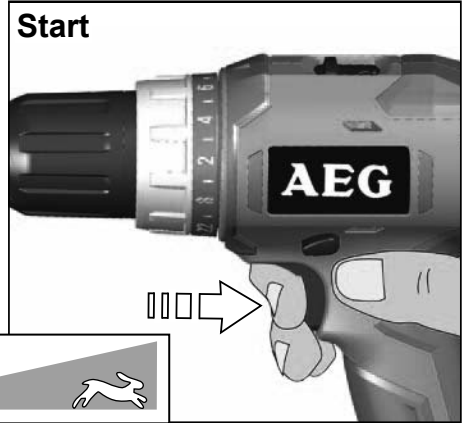
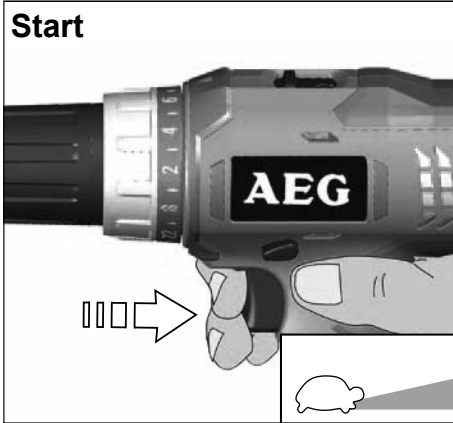
Retire la batería antes de comenzar cualquier trabajo en la máquina.

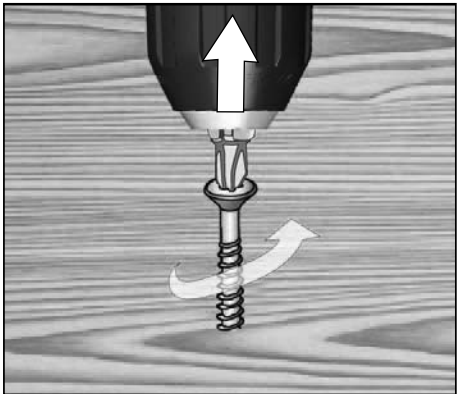
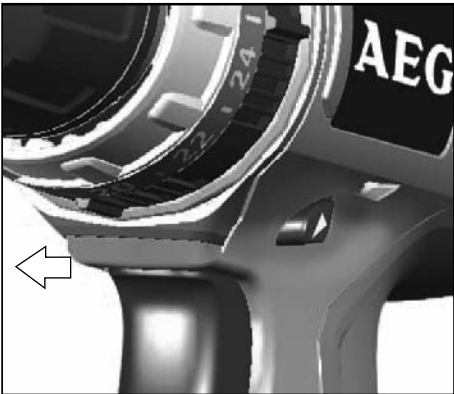
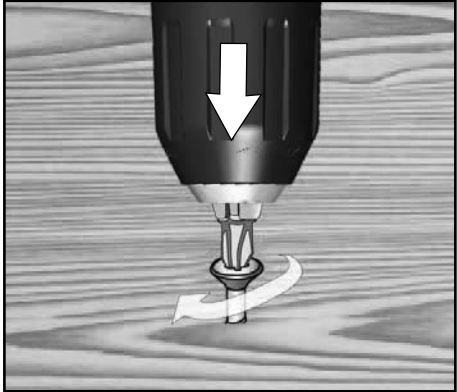
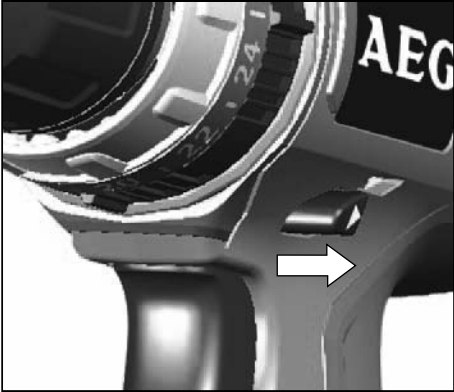
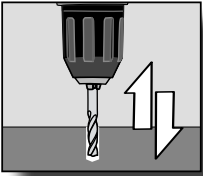


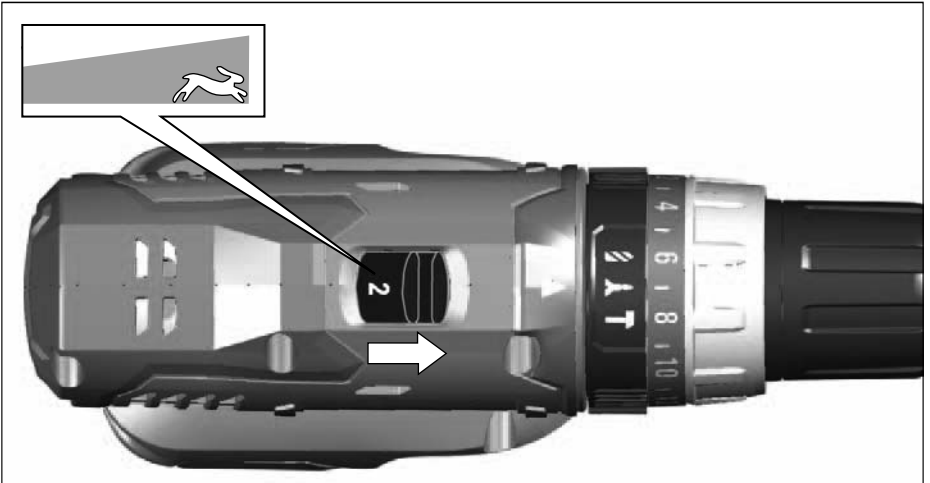
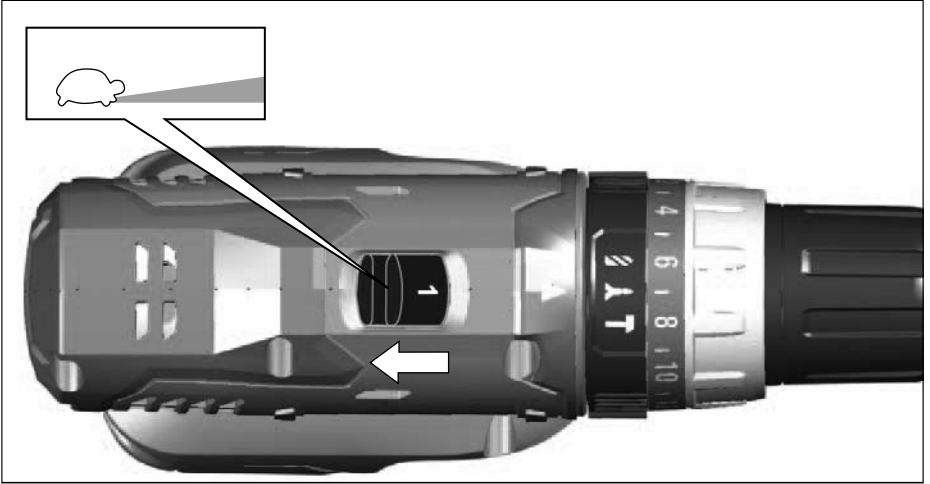
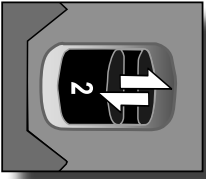




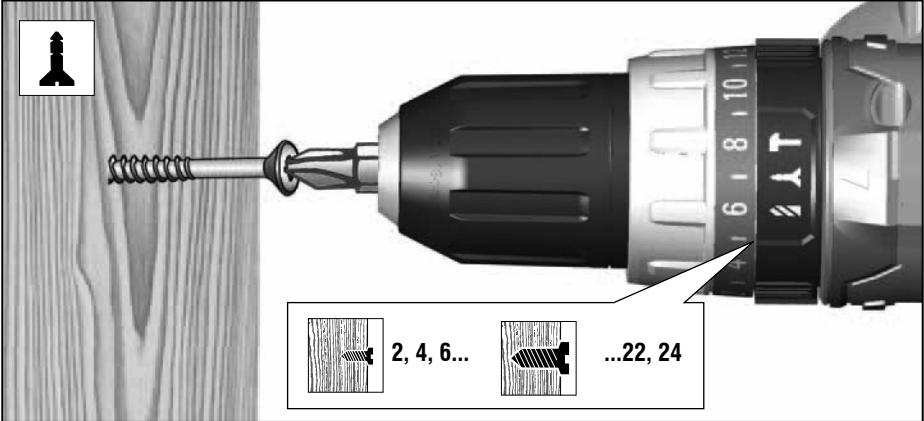
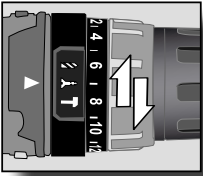
START  
STOP

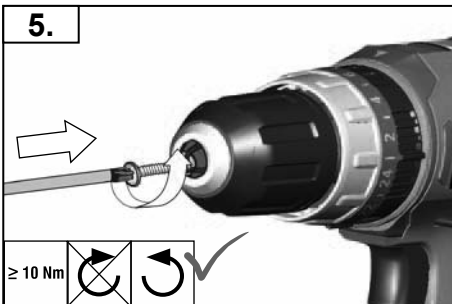
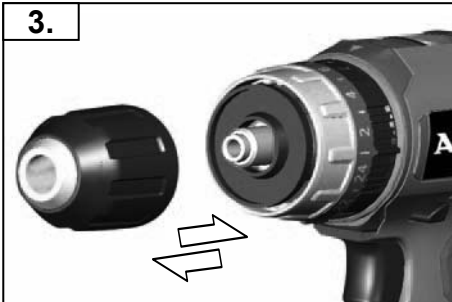
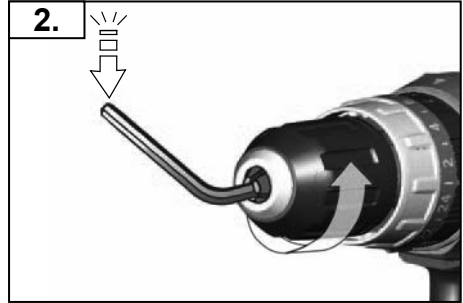
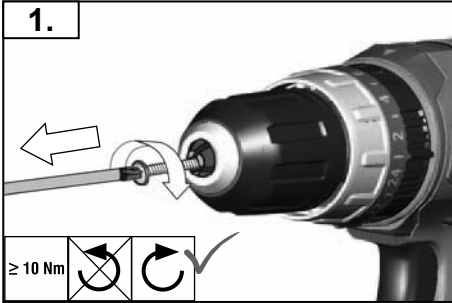
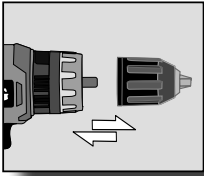


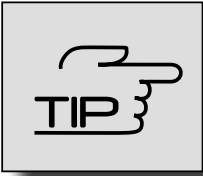












TIP  
VIII

	BS 12G	BS 14G	BSB 12G	BSB 14G
Drilling capacity in steel.....	10 mm	10 mm	10 mm	10 mm
Drilling capacity in steel (with chuck 1,5 - 13 mm).....	-	13 mm	-	13 mm
Drilling capacity in wood.....	30 mm	32 mm	30 mm	32 mm
Drilling capacity in wood (with chuck 1,5 - 13 mm).....	-	32 mm	-	32 mm
Drilling capacity in brick and tile.....	-	-	6 mm	8 mm
Wood screws (without pre-drilling).....	4,2 mm	4,2 mm	4,2 mm	4,2 mm
No-load speed, 1st gear.....	0-350 min <sup>-1</sup>	0-400 min <sup>-1</sup>	0-350 min <sup>-1</sup>	0-400 min <sup>-1</sup>
No-load speed, 2nd gear.....	0-1350 min <sup>-1</sup>	0-1400 min <sup>-1</sup>	0-1350 min <sup>-1</sup>	0-1400 min <sup>-1</sup>
No-load speed, 2nd gear (Li-Ion).....	-	0-1500 min <sup>-1</sup>	-	0-1500 min <sup>-1</sup>
Rate of percussion under load max.....	-	-	20 250 min <sup>-1</sup>	21 000 min <sup>-1</sup>
Rate of percussion under load max. (Li-Ion).....	-	-	-	22 500 min <sup>-1</sup>
Torque *.....	30 Nm	32 Nm	30 Nm	32 Nm
Torque * (Li-Ion).....	-	36 Nm	-	36 Nm
Battery voltage.....	12 V	14,4 V	12 V	14,4 V
Drill chuck range.....	1-10 mm	1-10 mm	1-10 mm	1-10 mm
Drill chuck range.....	-	1,5-13 mm	-	1,5-13 mm
Weight with battery (1.4 Ah).....	1,65 kg	1,95 kg	1,8 kg	2,1 kg
Weight with battery (1.5 Ah Li-Ion).....	-	1,52 kg	-	1,65 kg



**Noise/Vibration Information**

Measured values determined according to EN 60 745.

Typically, the A-weighted noise levels of the tool are:

Sound pressure level (K=3dB(A)).....	90 dB(A)	90 dB(A)	90 dB(A)	90 dB(A)
Sound power level (K=3dB(A)).....	101 dB(A)	101 dB(A)	101 dB(A)	101 dB(A)

**Wear ear protectors!**

Total vibration values (vector sum in the three axes) determined according to EN 60745.

Vibration emission value a<sub>v</sub>

Impact drilling into concrete.....	-	-	15,6 m/s <sup>2</sup>	13,7 m/s <sup>2</sup>
Uncertainty K.....	-	-	1,5 m/s <sup>2</sup>	1,5 m/s <sup>2</sup>
Drilling into metal.....	< 2,5 m/s <sup>2</sup>	< 2,5 m/s <sup>2</sup>	< 2,5 m/s <sup>2</sup>	< 2,5 m/s <sup>2</sup>
Uncertainty K.....	1,5 m/s <sup>2</sup>	1,5 m/s <sup>2</sup>	1,5 m/s <sup>2</sup>	1,5 m/s <sup>2</sup>
Screwing.....	< 2,5 m/s <sup>2</sup>	< 2,5 m/s <sup>2</sup>	< 2,5 m/s <sup>2</sup>	< 2,5 m/s <sup>2</sup>
Uncertainty K.....	1,5 m/s <sup>2</sup>	1,5 m/s <sup>2</sup>	1,5 m/s <sup>2</sup>	1,5 m/s <sup>2</sup>

\* Measured according to AEG norm N 877318

**WARNING**

The vibration emission level given in this information sheet has been measured in accordance with a standardised test given in EN 60745 and may be used to compare one tool with another. It may be used for a preliminary assessment of exposure.

The declared vibration emission level represents the main applications of the tool. However if the tool is used for different applications, with different accessories or poorly maintained, the vibration emission may differ. This may significantly increase the exposure level over the total working period.

An estimation of the level of exposure to vibration should also take into account the times when the tool is switched off or when it is running but not actually doing the job. This may significantly reduce the exposure level over the total working period.

Identify additional safety measures to protect the operator from the effects of vibration such as: maintain the tool and the accessories, keep the hands warm, organisation of work patterns.

**⚠ WARNING! Read all safety warnings and all instructions, including those given in the accompanying brochure.** Failure to follow the warnings and instructions may result in electric shock, fire and/or serious injury.

**Save all warnings and instructions for future reference.**

## SAFETY INSTRUCTIONS

**Wear ear protectors.** Exposure to noise can cause hearing loss.

**Hold power tool by insulated gripping surfaces, when performing an operation where the cutting accessory may contact hidden wiring or its own cord.** Cutting accessory contacting a „live“ wire may make exposed metal parts of the power tool „live“ and could give the operator an electric shock.

Always wear goggles when using the machine. It is recommended to wear gloves, sturdy non slipping shoes and apron.

The dust produced when using this tool may be harmful to health. Do not inhale the dust. Wear a suitable dust protection mask.

Sawdust and splinters must not be removed while the machine is running.

When working in walls ceiling, or floor, take care to avoid electric cables and gas or waterpipes.

Remove the battery pack before starting any work on the machine.

Do not dispose of used battery packs in the household refuse or by burning them. AEG Distributors offer to retrieve old batteries to protect our environment.

Do not store the battery pack together with metal objects (short circuit risk).

Use only System GBS chargers for charging System GBS battery packs. Do not use battery packs from other systems.

No metal parts must be allowed to enter the battery section of the charger (short circuit risk).

Never break open battery packs and chargers and store only in dry rooms. Keep dry at all times.

Battery acid may leak from damaged batteries under extreme load or extreme temperatures. In case of contact with battery acid wash it off immediately with soap and water. In case of eye contact rinse thoroughly for at least 10 minutes and immediately seek medical attention.

## SPECIFIED CONDITIONS OF USE

BS 12G, BS 14G: The battery drill/screwdriver may be used for drilling and screwdriving for independent use away from mains supply.

BSB 12G, BSB 14G: The cordless percussion drill/driver is designed for drilling, percussion drilling, as well as screwdriving for independent use away from mains supply.

Do not use this product in any other way as stated for normal use.

## EC-DECLARATION OF CONFORMITY

We declare under our sole responsibility that this product is in conformity with the following standards or standardized documents. EN 60745, EN 55014-1, EN 55014-2, in accordance with the regulations 2006/42/EC, 2004/108/EC



Winnenden, 2011-08-10

Rainer Kumpf

Manager Product Development  
Authorized to compile the technical file

## WORKING TIPS

Never use the gear switch whilst the machine is operating. Only use the switch when the machine is at a standstill.

## BATTERIES

New battery packs reach full loading capacity after 4 - 5 chargings and dischargings. Battery packs which have not been used for some time should be recharged before use.

Temperatures in excess of 50°C (122°F) reduce the performance of the battery pack. Avoid extended exposure to heat or sunshine (risk of overheating).

The contacts of chargers and battery packs must be kept clean.

## MAINTENANCE

Use only AEG accessories and spare parts. Should components need to be replaced which have not been described, please contact one of our AEG service agents (see our list of guarantee/service addresses).

If needed, an exploded view of the tool can be ordered. Please state the Article No. as well as the machine type printed on the label and order the drawing at your local service agents or directly at: AEG Electric Tools GmbH, Max-Eyth-Straße 10, D-71364 Winnenden, Germany.

## SYMBOLS



Please read the instructions carefully before starting the machine.



CAUTION! WARNING! DANGER!



Remove the battery pack before starting any work on the appliance.



Accessory - Not included in standard equipment, available as an accessory.



Do not dispose of electric tools together with household waste material! In observance of European Directive 2002/96/EC on waste electrical and electronic equipment and its implementation in accordance with national law, electric tools that have reached the end of their life must be collected separately and returned to an environmentally compatible recycling facility.

English

	BS 12G	BS 14G	BSB 12G	BSB 14G
Bohr- $\phi$ in Stahl.....	10 mm	10 mm	10 mm	10 mm
Bohr- $\phi$ in Stahl (mit Bohrfutter 1,5 - 13 mm) .....	-	13 mm	-	13 mm
Bohr- $\phi$ in Holz.....	30 mm	32 mm	30 mm	32 mm
Bohr- $\phi$ in Holz (mit Bohrfutter 1,5 - 13 mm).....	-	32 mm	-	32 mm
Bohr- $\phi$ in Ziegel und Kalksandstein .....	-	-	6 mm	8 mm
Holzschrauben (ohne Vorbohren).....	4,2 mm	4,2 mm	4,2 mm	4,2 mm
Leerlaufdrehzahl im 1. Gang .....	0-350 min <sup>-1</sup>	0-400 min <sup>-1</sup>	0-350 min <sup>-1</sup>	0-400 min <sup>-1</sup>
Leerlaufdrehzahl im 2. Gang .....	0-1350 min <sup>-1</sup>	0-1400 min <sup>-1</sup>	0-1350 min <sup>-1</sup>	0-1400 min <sup>-1</sup>
Leerlaufdrehzahl im 2. Gang (Li-Ion) .....	-	0-1500 min <sup>-1</sup>	-	0-1500 min <sup>-1</sup>
Lastschlagzahl max. ....	-	-	20 250 min <sup>-1</sup>	21 000 min <sup>-1</sup>
Lastschlagzahl max. (Li-Ion) .....	-	-	-	22 500 min <sup>-1</sup>
Drehmoment* .....	30 Nm	32 Nm	30 Nm	32 Nm
Drehmoment* (Li-Ion) .....	-	36 Nm	-	36 Nm
Spannung Wechselakku .....	12 V	14,4 V	12 V	14,4 V
Bohrfutterspannbereich.....	1-10 mm	1-10 mm	1-10 mm	1-10 mm
Bohrfutterspannbereich.....	-	1,5-13 mm	-	1,5-13 mm
Gewicht mit Akku (1.4 Ah) .....	1,65 kg	1,95 kg	1,8 kg	2,1 kg
Gewicht mit Akku (1.5 Ah Li-Ion) .....	-	1,52 kg	-	1,65 kg

**Geräusch/Vibrationsinformation**

Messwerte ermittelt entsprechend EN 60745.

Der A-bewertete Geräuschpegel des Gerätes beträgt typischerweise:

Schalldruckpegel (K=3dB(A)).....	90 dB(A)	90 dB(A)	90 dB(A)	90 dB(A)
Schallleistungspegel (K=3dB(A)).....	101 dB(A)	101 dB(A)	101 dB(A)	101 dB(A)

**Gehörschutz tragen!**

Schwingungsgesamtwerte (Vektorsumme dreier Richtungeermittelt entsprechend EN 60745.

Schwingungsemissionswert a<sub>h</sub>

Schlagbohren in Beton .....	-	-	15,6 m/s <sup>2</sup>	13,7 m/s <sup>2</sup>
Unsicherheit K .....	-	-	1,5 m/s <sup>2</sup>	1,5 m/s <sup>2</sup>
Bohren in Metall.....	< 2,5 m/s <sup>2</sup>	< 2,5 m/s <sup>2</sup>	< 2,5 m/s <sup>2</sup>	< 2,5 m/s <sup>2</sup>
Unsicherheit K .....	1,5 m/s <sup>2</sup>	1,5 m/s <sup>2</sup>	1,5 m/s <sup>2</sup>	1,5 m/s <sup>2</sup>
Schrauben .....	< 2,5 m/s <sup>2</sup>	< 2,5 m/s <sup>2</sup>	< 2,5 m/s <sup>2</sup>	< 2,5 m/s <sup>2</sup>
Unsicherheit K .....	1,5 m/s <sup>2</sup>	1,5 m/s <sup>2</sup>	1,5 m/s <sup>2</sup>	1,5 m/s <sup>2</sup>

\* Gemessen nach AEG Norm N 877318

**WARNUNG**

Der in diesen Anweisungen angegebene Schwingungspegel ist entsprechend einem in EN 60745 genormten Messverfahren gemessen worden und kann für den Vergleich von Elektrowerkzeugen miteinander verwendet werden. Er eignet sich auch für eine vorläufige Einschätzung der Schwingungsbelastung.

Der angegebene Schwingungspegel repräsentiert die hauptsächlichen Anwendungen des Elektrowerkzeugs. Wenn allerdings das Elektrowerkzeug für andere Anwendungen, mit abweichenden Einsatzwerkzeugen oder ungenügender Wartung eingesetzt wird, kann der Schwingungspegel abweichen. Dies kann die Schwingungsbelastung über den gesamten Arbeitszeitraum deutlich erhöhen.

Für eine genaue Abschätzung der Schwingungsbelastung sollten auch die Zeiten berücksichtigt werden, in denen das Gerät abgeschaltet ist oder zwar läuft, aber nicht tatsächlich im Einsatz ist. Dies kann die Schwingungsbelastung über den gesamten Arbeitszeitraum deutlich reduzieren.

Legen Sie zusätzliche Sicherheitsmaßnahmen zum Schutz des Bedieners vor der Wirkung von Schwingungen fest wie zum Beispiel: Wartung von Elektrowerkzeug und Einsatzwerkzeugen, Warmhalten der Hände, Organisation der Arbeitsabläufe.



D

**⚠️ WARNUNG! Lesen Sie alle Sicherheitshinweise und Anweisungen, auch die in der beiliegenden Broschüre.** Versäumnisse bei der Einhaltung der Sicherheitshinweise und Anweisungen können elektrischen Schlag, Brand und/oder schwere Verletzungen verursachen.  
**Bewahren Sie alle Sicherheitshinweise und Anweisungen für die Zukunft auf.**

### SPEZIELLE SICHERHEITSHINWEISE

**Tragen Sie Gehörschutz.** Die Einwirkung von Lärm kann Gehörverlust bewirken.

**Halten Sie das Gerät an den isolierten Griffflächen, wenn Sie Arbeiten ausführen, bei denen das Einsatzwerkzeug verborgene Stromleitungen oder das eigene Kabel treffen kann.** Der Kontakt mit einer spannungsführenden Leitung kann auch metallene Geräteteile unter Spannung setzen und zu einem elektrischen Schlag führen.

Beim Arbeiten mit der Maschine stets Schutzbrille tragen. Schutzhandschuhe, festes und rutschsicheres Schuhwerk und Schürze werden empfohlen.

Beim Arbeiten entstehender Staub ist oft gesundheitsschädlich und sollte nicht in den Körper gelangen. Geeignete Staubschutzmaske tragen.

Späne oder Splitter dürfen bei laufender Maschine nicht entfernt werden.

Beim Arbeiten in Wand, Decke oder Fußboden auf elektrische Kabel, Gas- und Wasserleitungen achten.

Vor allen Arbeiten an der Maschine den Wechselakku herausnehmen.

Verbrauchte Wechselakkus nicht ins Feuer oder in den Hausmüll werfen. AEG bietet eine umweltgerechte Alt-Wechselakku-Entsorgung an; bitte fragen Sie Ihren Fachhändler.

Wechselakkus nicht zusammen mit Metallgegenständen aufbewahren (Kurzschlussgefahr).

Wechselakku des Systems GBS nur mit Ladegeräten des Systems GBS laden. Keine Akkus aus anderen Systemen laden.

In den Wechselakku-Einschubschacht der Ladegeräte dürfen keine Metallteile gelangen (Kurzschlussgefahr).

Wechselakku und Ladegeräte nicht öffnen und nur in trockenen Räumen lagern. Vor Nässe schützen.

Unter extremer Belastung oder extremer Temperatur kann aus beschädigten Wechselakkus Batterieflüssigkeit auslaufen. Bei Berührung mit Batterieflüssigkeit sofort mit Wasser und Seife abwaschen. Bei Augenkontakt sofort mindestens 10 Minuten gründlich spülen und unverzüglich einen Arzt aufsuchen.

### BESTIMMUNGSGEMÄSSE VERWENDUNG

BS 12G, BS 14G: Der Akku-Bohrschrauber ist universell einsetzbar zum Bohren und Schrauben unabhängig von einem Netzanschluss.

BSB 12G, BSB 14G: Der Schlagbohrschrauber ist universell einsetzbar zum Bohren, Schlagbohren und Schrauben unabhängig von einem Netzanschluss.

Dieses Gerät darf nur wie angegeben bestimmungsgemäß verwendet werden.

### CE-KONFORMITÄTSERLÄRUNG

Wir erklären in alleiniger Verantwortung, dass dieses Produkt mit den folgenden Normen oder normativen Dokumenten übereinstimmt. EN 60745, EN 55014-1, EN 55014-2, gemäß den Bestimmungen der Richtlinien 2006/42/EG, 2004/108/EG.



*Rainer Kumpf*

Rainer Kumpf

Winnenden, 2011-08-10

Manager Product Development  
Bevollmächtigt die technischen Unterlagen  
zusammenzustellen.

### ARBEITSHINWEISE

Den Gangschalter niemals bei eingeschalteter Maschine, sondern nur im Stillstand betätigen.

### AKKUS

Neue Wechselakkus erreichen ihre volle Kapazität nach 4-5 Lade- und Entladezyklen. Längere Zeit nicht benutzte Wechselakkus vor Gebrauch nachladen.

Eine Temperatur über 50°C vermindert die Leistung des Wechselakkus. Längere Erwärmung durch Sonne oder Heizung vermeiden.

Die Anschlusskontakte an Ladegerät und Wechselakku sauber halten.

### WARTUNG

Nur AEG Zubehör und Ersatzteile verwenden. Bauteile, deren Austausch nicht beschrieben wurde, bei einer AEG Kundendienststelle auswechseln lassen (Broschüre Garantie/Kundendienstadressen beachten).

Bei Bedarf kann eine Explosionszeichnung des Gerätes unter Angabe der Maschinen Type und der zehnstelligen Nummer auf dem Leistungsschild bei Ihrer Kundendienststelle oder direkt bei AEG Electric Tools GmbH, Max-Eyth-Straße 10, D-71364 Winnenden, Germany angefordert werden.

### SYMBOLE



Bitte lesen Sie die Gebrauchsanweisung vor Inbetriebnahme sorgfältig durch.



ACHTUNG! WARNUNG! GEFAHR!



Vor allen Arbeiten am Gerät den Wechselakku herausnehmen.



Zubehör - Im Lieferumfang nicht enthalten, empfohlene Ergänzung aus dem Zubehörprogramm.



Werfen Sie Elektrowerkzeuge nicht in den Hausmüll! Gemäß Europäischer Richtlinie 2002/96/EG über Elektro- und Elektronik-Altgeräte und Umsetzung in nationales Recht müssen verbrauchte Elektrowerkzeuge getrennt gesammelt und einer umweltgerechten Wiederverwertung zugeführt werden.

Deutsch

	BS 12G	BS 14G	BSB 12G	BSB 14G
ø de perçage dans acier.....	10 mm	10 mm	10 mm	10 mm
ø de perçage dans acier (avec mandrin 1,5 - 13 mm) .....	-	13 mm	-	13 mm
ø de perçage dans bois.....	30 mm	32 mm	30 mm	32 mm
ø de perçage dans bois (avec mandrin 1,5 - 13 mm) .....	-	32 mm	-	32 mm
ø de perçage dans brique et grès argilo-calcaire .....	-	-	6 mm	8 mm
Vis à bois (sans avant trou).....	4,2 mm	4,2 mm	4,2 mm	4,2 mm
Vitesse de rotation 1ère vitesse .....	0-350 min <sup>-1</sup>	0-400 min <sup>-1</sup>	0-350 min <sup>-1</sup>	0-400 min <sup>-1</sup>
Vitesse de rotation 2ème vitesse .....	0-1350 min <sup>-1</sup>	0-1400 min <sup>-1</sup>	0-1350 min <sup>-1</sup>	0-1400 min <sup>-1</sup>
Vitesse de rotation 2ème vitesse (Li-Ion) .....	-	0-1500 min <sup>-1</sup>	-	0-1500 min <sup>-1</sup>
Perçage à percussion en charge max. ....	-	-	20 250 min <sup>-1</sup>	21 000 min <sup>-1</sup>
Perçage à percussion en charge max. (Li-Ion) .....	-	-	-	22 500 min <sup>-1</sup>
Couple * .....	30 Nm	32 Nm	30 Nm	32 Nm
Couple * (Li-Ion).....	-	36 Nm	-	36 Nm
Tension accu interchangeable .....	12 V	14,4 V	12 V	14,4 V
Plage de serrage du mandrin .....	1-10 mm	1-10 mm	1-10 mm	1-10 mm
Plage de serrage du mandrin .....	-	1,5-13 mm	-	1,5-13 mm
Poids avec l'accu (1.4 Ah) .....	1,65 kg	1,95 kg	1,8 kg	2,1 kg
Poids avec l'accu (1.5 Ah Li-Ion) .....	-	1,52 kg	-	1,65 kg

**Informations sur le bruit et les vibrations**

Valeurs de mesure obtenues conformément à la EN 60 745.

Les mesures réelles (des niveaux acoustiques de l'appareil) sont :

Niveau de pression acoustique (K=3dB(A)).....	90 dB(A)	90 dB(A)	90 dB(A)	90 dB(A)
Niveau d'intensité acoustique (K=3dB(A)) .....	101 dB(A)	101 dB(A)	101 dB(A)	101 dB(A)

**Toujours porter une protection acoustique!**

Valeurs totales des vibrations (somme vectorielle de trois sens) établies conformément à EN 60745.

Valeur d'émission vibratoire a

Perçage à percussion dans le béton .....	-	-	15,6 m/s2	13,7 m/s2
Incertitude K.....	-	-	1,5 m/s2	1,5 m/s2
Perçage dans le métal .....	< 2,5 m/s2	< 2,5 m/s2	< 2,5 m/s2	< 2,5 m/s2
Incertitude K.....	1,5 m/s2	1,5 m/s2	1,5 m/s2	1,5 m/s2
Vissage .....	< 2,5 m/s2	< 2,5 m/s2	< 2,5 m/s2	< 2,5 m/s2
Incertitude K.....	1,5 m/s2	1,5 m/s2	1,5 m/s2	1,5 m/s2

\* Mesuré selon la norme AEG N 877318

**AVERTISSEMENT**

Le niveau vibratoire indiqué dans ces instructions a été mesuré selon un procédé de mesure normalisé dans la norme EN 60745 et peut être utilisé pour comparer des outils électriques entre eux. Il convient aussi à une estimation provisoire de la sollicitation par les vibrations.

Le niveau vibratoire indiqué représente les applications principales de l'outil électrique. Toutefois, si l'outil électrique est utilisé pour d'autres applications, avec des outils rapportés qui diffèrent ou une maintenance insuffisante, il se peut que le niveau vibratoire diverge. Cela peut augmenter nettement la sollicitation par les vibrations sur tout l'intervalle de temps du travail.

Pour une estimation précise de la sollicitation par les vibrations, on devrait également tenir compte des temps pendant lesquels l'appareil n'est pas en marche ou tourne sans être réellement en service. Cela peut réduire nettement la sollicitation par les vibrations sur tout l'intervalle de temps du travail.

Définissez des mesures de sécurité supplémentaires pour protéger l'utilisateur contre l'influence des vibrations, comme par exemple : la maintenance de l'outil électrique et des outils rapportés, le maintien au chaud des mains, l'organisation des déroulements de travail.



Fr



**⚠ AVERTISSEMENT! Lisez toutes les consignes de sécurité et les instructions, même celles qui se trouvent dans la brochure ci-jointe.** Le non-respect des avertissements et instructions indiqués ci après peut entraîner un choc électrique, un incendie et/ou de graves blessures sur les personnes.

**Bien garder tous les avertissements et instructions.**

### INSTRUCTIONS DE SÉCURITÉ PARTICULIÈRES

**Portez une protection acoustique.** L'exposition au bruit pourrait provoquer une diminution de l'ouïe.

**Maintenez l'appareil par les surfaces de poignée isolées lorsque vous exécutez des travaux pendant lesquels l'outil de coupe peut toucher des lignes électriques dissimulées ou le propre câble.** Le contact de l'outil de coupe avec un câble qui conduit la tension peut mettre les pièces métalliques de l'appareil sous tension et mener à une décharge électrique.

Toujours porter des lunettes protectrices en travaillant avec la machine. Des gants de sécurité, des chaussures solides et à semelles antidérapantes et un tablier sont recommandés.

Les poussières qui sont dégagées pendant les travaux sont souvent nocives pour la santé et ne devraient pas pénétrer dans le corps. Porter un masque de protection approprié contre les poussières.

Ne jamais enlever les copeaux ni les éclats lorsque la machine est en marche.

Lors du perçage dans les murs, les plafonds ou les planchers, toujours faire attention aux câbles électriques et aux conduites de gaz et d'eau.

Avant tous travaux sur la machine retirer l'accu interchangeable.

Ne pas jeter les accus interchangeables usés au feu ou avec les déchets ménagers. AEG offre un système d'évacuation écologique des accus usés.

Ne pas conserver les accus interchangeables avec des objets métalliques (risque de court-circuit)

Ne charger les accus interchangeables du système GBS qu'avec le chargeur d'accus du système GBS. Ne pas charger des accus d'autres systèmes.

Aucune pièce métallique ne doit pénétrer dans le logement d'accu du chargeur (risque de court-circuit)

Ne pas ouvrir les accus interchangeables et les chargeurs et ne les stocker que dans des locaux secs. Les protéger contre l'humidité.

En cas de conditions ou températures extrêmes, du liquide caustique peut s'échapper d'un accu interchangeable endommagé. En cas de contact avec le liquide caustique de la batterie, laver immédiatement avec de l'eau et du savon. En cas de contact avec les yeux, rincer soigneusement avec de l'eau et consulter immédiatement un médecin.

### UTILISATION CONFORME AUX PRESCRIPTIONS

BS 12G, BS 14G: La perceuse-visseuse à accu est conçue pour un travail universel de perçage et de vissage sans être branchée sur le secteur.

BSB 12G, BSB 14G: La perceuse-visseuse à percussion à accu est conçue pour un travail universel de perçage à percussion, de perçage et de vissage sans être branchée sur le secteur.

Comme déjà indiqué, cette machine n'est conçue que pour être utilisée conformément aux prescriptions.

### DECLARATION CE DE CONFORMITÉ

Nous déclarons sous notre responsabilité que ce produit est en conformité avec les normes ou documents normalisés suivants EN 60745, EN 55014-1, EN 55014-2, conformément aux réglementations 2006/42/CE, 2004/108/CE



Winnenden, 2011-08-10

Rainer Kumpf

Manager Product Development

Autorisé à compiler la documentation technique.

### CONSIGNES DE TRAVAIL

Ne jamais actionner le commutateur sélectif pendant que la machine est enclenchée, mais seulement si elle est à l'arrêt.

### ACCUS

Les nouveaux accus interchangeables atteignent leur pleine capacité après 4-5 cycles de chargement et déchargement. Recharger les accus avant utilisation après une longue période de non utilisation.

Une température supérieure à 50°C amoindrit la capacité des accus. Éviter les expositions prolongées au soleil ou au chauffage.

Tenir propres les contacts des accus et des chargeurs.

### ENTRETIEN

N'utiliser que des pièces et accessoires AEG. Pour des pièces dont l'échange n'est pas décrit, s'adresser de préférence aux stations de service après-vente AEG (voir brochure Garantie/Adresses des stations de service après-vente).

Si besoin est, une vue éclatée de l'appareil peut être fournie. S'adresser, en indiquant bien le numéro à dix chiffres porté sur la plaque signalétique, à votre station de service après-vente (voir liste jointe) ou directement à AEG Electric Tools GmbH, Max-Eyth-Strasse 10, D-71364 Winnenden, Germany.

### SYMBOLES



Veillez lire avec soin le mode d'emploi avant la mise en service



ATTENTION! AVERTISSEMENT! DANGER!



Avant tous travaux sur l'appareil retirer l'accu interchangeable.



Accessoires - Ces pièces ne font pas partie de la livraison. Il s'agit là de compléments recommandés pour votre machine et énumérés dans le catalogue des accessoires.



Ne pas jeter les appareils électriques dans les ordures ménagères ! Conformément à la directive européenne 2002/96/EG relative aux déchets d'équipements électriques ou électroniques (DEEE), et à sa transposition dans la législation nationale, les appareils électriques doivent être collectés à part et être soumis à un recyclage respectueux de l'environnement.

	BS 12G	BS 14G	BSB 12G	BSB 14G
∅ Foratura in acciaio	10 mm	10 mm	10 mm	10 mm
∅ Foratura in acciaio (con mondrino 1,5 - 13 mm)	-	13 mm	-	13 mm
∅ Foratura in legno	30 mm	32 mm	30 mm	32 mm
∅ Foratura in legno (con mondrino 1,5 - 13 mm)	-	32 mm	-	32 mm
∅ Foratura in mattone e in arenaria calcarea	-	-	6 mm	8 mm
Avvitatore nel legno (senza preforatura)	4,2 mm	4,2 mm	4,2 mm	4,2 mm
Numero di giri a vuoto in 1. velocità	0-350 min <sup>-1</sup>	0-400 min <sup>-1</sup>	0-350 min <sup>-1</sup>	0-400 min <sup>-1</sup>
Numero di giri a vuoto in 2. Velocità	0-1350 min <sup>-1</sup>	0-1400 min <sup>-1</sup>	0-1350 min <sup>-1</sup>	0-1400 min <sup>-1</sup>
Numero di giri a vuoto in 2. Velocità (Li-Ion)	-	0-1500 min <sup>-1</sup>	-	0-1500 min <sup>-1</sup>
Percussione a pieno carico, max.	-	-	20 250 min <sup>-1</sup>	21 000 min <sup>-1</sup>
Percussione a pieno carico, max. (Li-Ion)	-	-	-	22 500 min <sup>-1</sup>
Momento torcente *	30 Nm	32 Nm	30 Nm	32 Nm
Momento torcente * (Li-Ion)	-	36 Nm	-	36 Nm
Tensione batteria	12 V	14,4 V	12 V	14,4 V
Capacità mandrino	1-10 mm	1-10 mm	1-10 mm	1-10 mm
Capacità mandrino	-	1,5-13 mm	-	1,5-13 mm
Peso con batteria (1.4 Ah)	1,65 kg	1,95 kg	1,8 kg	2,1 kg
Peso con batteria (1.5 Ah Li-Ion)	-	1,52 kg	-	1,65 kg

### Informazioni sulla rumorosità/sulle vibrazioni

Valori misurati conformemente alla norma EN 60745.

La misurazione A del livello di pressione acustica dell'utensile è di solito di:

Livello di rumorosità (K=3dB(A)).....90 dB(A).....90 dB(A).....90 dB(A)

Potenza della rumorosità (K=3dB(A)).....101 dB(A).....101 dB(A).....101 dB(A)

### Utilizzare le protezioni per l'udito!

Valori totali delle oscillazioni (somma di vettori in tre direzionimisurati conformemente alla norma EN 60745

Valore di emissione dell'oscillazione a<sub>h</sub>

Perforazione a percussione.....-.....15,6 m/s<sup>2</sup>.....13,7 m/s<sup>2</sup>

Incertezza della misura K.....-.....1,5 m/s<sup>2</sup>.....1,5 m/s<sup>2</sup>

Perforazione in metallo.....< 2,5 m/s<sup>2</sup>.....< 2,5 m/s<sup>2</sup>.....< 2,5 m/s<sup>2</sup>.....< 2,5 m/s<sup>2</sup>

Incertezza della misura K.....1,5 m/s<sup>2</sup>.....1,5 m/s<sup>2</sup>.....1,5 m/s<sup>2</sup>.....1,5 m/s<sup>2</sup>

Avvitatura.....< 2,5 m/s<sup>2</sup>.....< 2,5 m/s<sup>2</sup>.....< 2,5 m/s<sup>2</sup>.....< 2,5 m/s<sup>2</sup>

Incertezza della misura K.....1,5 m/s<sup>2</sup>.....1,5 m/s<sup>2</sup>.....1,5 m/s<sup>2</sup>.....1,5 m/s<sup>2</sup>

\* Misurato conf. norma N 877318 AEG

### AVVERTENZA

Il livello di vibrazioni indicato nelle presenti istruzioni è stato misurato in conformità con un procedimento di misurazione codificato nella EN 60745 e può essere utilizzato per un confronto tra attrezzi elettrici. Inoltre si può anche utilizzare per una valutazione preliminare della sollecitazione da vibrazioni.

Il livello di vibrazioni indicato rappresenta le applicazioni principali dell'attrezzo elettrico. Se viceversa si utilizza l'attrezzo elettrico per altri scopi, con accessori differenti o con una manutenzione insufficiente, il livello di vibrazioni può risultare diverso. E questo può aumentare decisamente la sollecitazione da vibrazioni lungo l'intero periodo di lavorazione.

Ai fini di una valutazione precisa della sollecitazione da vibrazioni si dovrebbero tenere presente anche i periodi in cui l'apparecchio rimane spento oppure, anche se acceso, non viene effettivamente utilizzato. Ciò può ridurre notevolmente la sollecitazione da vibrazioni lungo l'intero periodo di lavorazione.

Stabilite misure di sicurezza supplementari per la tutela dell'operatore dall'effetto delle vibrazioni, come ad esempio: manutenzione dell'attrezzo elettrico e degli accessori, riscaldamento delle mani, organizzazione dei processi di lavoro.



**AVVERTENZA!** E' necessario leggere tutte le indicazioni di sicurezza e le istruzioni, anche quelle contenute nella brochure allegata. In caso di mancato rispetto delle avvertenze di pericolo e delle istruzioni operative si potrà creare il pericolo di scosse elettriche, incendi e/o incidenti gravi.

**Conservare tutte le avvertenze di pericolo e le istruzioni operative per ogni esigenza futura.**

#### NORME DI SICUREZZA

**Indossare protezioni acustiche adeguate.** L'esposizione al rumore potrebbe comportare una riduzione dell'udito.

**Impugnare l'apparecchio sulle superfici di tenuta isolate mentre si eseguono lavori durante i quali l'utensile da taglio potrebbe entrare in contatto con cavi di corrente o con il proprio cavo d'alimentazione.** L'eventuale contatto dell'utensile da taglio con un cavo sotto tensione potrebbe mettere sotto tensione le parti metalliche dell'apparecchio e provocare una folgorazione.

Durante l'uso dell'apparecchio utilizzare sempre gli occhiali di protezione. Inoltre si consiglia di usare sistemi di protezione per la respirazione e per l'udito, oltre ai guanti di protezione.

La polvere che si produce durante il lavoro è spesso dannosa per la salute e non dovrebbe essere aspirata. Portare un'adeguata mascherina protettiva.

Non rimuovere trucioli o schegge mentre l'utensile è in funzione.

Forando pareti, soffitti o pavimenti, si faccia attenzione ai cavi elettrici e alle condutture dell'acqua e del gas.

Prima di iniziare togliere la batteria dalla macchina.

Si prega di leggere con attenzione le istruzioni riguardanti la sicurezza, nel volantino allegato.

Nel vano d'innesto per la batteria del caricatore non devono entrare parti metalliche (pericolo di cortocircuito).

Le batterie del System GBS sono ricaricabili esclusivamente con i caricatori del System GBS. Le batterie di altri sistemi non possono essere ricaricate.

Non conservare le batterie con oggetti metallici (pericolo di cortocircuito).

Non aprire né la batteria né il caricatore e conservarli solo in luogo asciutto. Proteggerli dalla umidità.

Nel caso di batterie danneggiate da un carico eccessivo o da temperature alte, l'acido di queste potrebbe fuoriuscire. In caso di contatto con l'acido delle batterie lavarsi immediatamente con acqua e sapone. In caso di contatto con gli occhi risciacquare immediatamente con acqua per almeno 10 minuti e contattare subito un medico.

#### UTILIZZO CONFORME

BS 12G, BS 14G: Il trapano-avvitatore Accu è utilizzabile universalmente per forare e avvitare indipendentemente dal collegamento elettrico.

BSB 12G, BSB 14G: Il trapano a percussione-avvitatore Accu è indicato per forare a rotazione, a percussione, per avvitare, indipendentemente dal collegamento elettrico.

Utilizzare il prodotto solo per l'uso per cui è previsto.

#### DICHIARAZIONE DI CONFORMITÀ CE

Dichiariamo, assumendo la piena responsabilità di tale dichiarazione, che il prodotto è conforme alla seguenti normative e ai relativi documenti: EN 60745, EN 55014-1, EN 55014-2, in base alle prescrizioni delle direttive CE 2006/42, CE 2004/108



Winnenden, 2011-08-10

Rainer Kumpf

Manager Product Development

Autorizzato alla preparazione della documentazione tecnica

#### ISTRUZIONI DI LAVORO

Non azionare l'interruttore per il cambio di velocità mai con macchina accesa, ma solo da ferma.

#### BATTERIE

Le batterie nuove raggiungono la loro piena capacità dopo 4-5 cicli di carica e scarica. Batterie non utilizzate per molto tempo devono essere ricaricate prima dell'uso.

A temperature superiori ai 50°C, la potenza della batteria si riduce.

Evitare di esporre l'accumulatore a surriscaldamento prolungato, dovuto ad esempio ai raggi del sole o ad un impianto di riscaldamento.

#### MANUTENZIONE

Utilizzare esclusivamente accessori e pezzi di ricambio AEG.

L'installazione di pezzi di ricambio non specificamente prescritti dall'AEG va preferibilmente effettuata dal servizio di assistenza clienti AEG (ved. opuscolo Garanzia/Indirizzi Assistenza tecnica).

In caso di mancanza del disegno di tools, può essere richiesto al seguente indirizzo: AEG Electric Tools GmbH, Max-Eyth-Straße 10, D-71364 Winnenden, Germany.

#### SIMBOLI



Leggere attentamente le istruzioni per l'uso prima di mettere in funzione l'elettrotensile.



ATTENZIONE! AVVERTENZA! PERICOLO!



Prima di iniziare togliere la batteria dalla apparecchio.



Accessorio - Non incluso nella dotazione standard, disponibile a parte come accessorio.



Non gettare le apparecchiature elettriche tra i rifiuti domestici. Secondo la Direttiva Europea 2002/96/CE sui rifiuti di apparecchiature elettriche ed elettroniche la sua attuazione in conformità alle norme nazionali, le apparecchiature elettriche esauste devono essere accolte separatamente, al fine di essere reimpiagate in modo eco-compatibile.

	BS 12G	BS 14G	BSB 12G	BSB 14G
Diámetro de taladrado en acero.....	10 mm	10 mm	10 mm	10 mm
Diámetro de taladrado en acero (con del portabrocas 1,5 - 13 mm).....	-	13 mm	-	13 mm
Diámetro de taladrado en madera.....	30 mm	32 mm	30 mm	32 mm
Diámetro de taladrado en madera (con del portabrocas 1,5 - 13 mm).....	-	32 mm	-	32 mm
Diámetro de taladrado ladrillo y losetas.....	-	-	6 mm	8 mm
Tornillos para madera (sin pretaladrar).....	4,2 mm	4,2 mm	4,2 mm	4,2 mm
Velocidad en vacío 1ª velocidad.....	0-350 min <sup>-1</sup>	0-400 min <sup>-1</sup>	0-350 min <sup>-1</sup>	0-400 min <sup>-1</sup>
Velocidad en vacío 2ª velocidad.....	0-1350 min <sup>-1</sup>	0-1400 min <sup>-1</sup>	0-1350 min <sup>-1</sup>	0-1400 min <sup>-1</sup>
Velocidad en vacío 2ª velocidad (Li-Ion).....	-	0-1500 min <sup>-1</sup>	-	0-1500 min <sup>-1</sup>
Frecuencia de impactos bajo carga.....	-	-	20 250 min <sup>-1</sup>	21 000 min <sup>-1</sup>
Frecuencia de impactos bajo carga (Li-Ion).....	-	-	-	22 500 min <sup>-1</sup>
Par*.....	30 Nm	32 Nm	30 Nm	32 Nm
Par* (Li-Ion).....	-	36 Nm	-	36 Nm
Voltaje de batería.....	12 V	14,4 V	12 V	14,4 V
Gama de apertura del portabrocas.....	1-10 mm	1-10 mm	1-10 mm	1-10 mm
Gama de apertura del portabrocas.....	-	1,5-13 mm	-	1,5-13 mm
Peso con batería (1.4 Ah).....	1,65 kg	1,95 kg	1,8 kg	2,1 kg
Peso con batería (1.5 Ah Li-Ion).....	-	1,52 kg	-	1,65 kg

### Información sobre ruidos / vibraciones

Determinación de los valores de medición según norma EN 60 745.

El nivel de ruido típico del aparato determinado con un filtro A corresponde a:

Presión acústica (K=3dB(A)).....90 dB(A).....90 dB(A).....90 dB(A)

Resonancia acústica (K=3dB(A)).....101 dB(A).....101 dB(A).....101 dB(A)

### Usar protectores auditivos!

Nivel total de vibraciones (suma vectorial de tres direcciones) determinado según EN 60745.

Valor de vibraciones generadas a<sub>h</sub>

taladrado de percusión.....	-	-	15,6 m/s <sup>2</sup>	13,7 m/s <sup>2</sup>
Tolerancia K.....	-	-	1,5 m/s <sup>2</sup>	1,5 m/s <sup>2</sup>
Taladrado en metal.....	< 2,5 m/s <sup>2</sup>	< 2,5 m/s <sup>2</sup>	< 2,5 m/s <sup>2</sup>	< 2,5 m/s <sup>2</sup>
Tolerancia K.....	1,5 m/s <sup>2</sup>	1,5 m/s <sup>2</sup>	1,5 m/s <sup>2</sup>	1,5 m/s <sup>2</sup>
Tornillos.....	< 2,5 m/s <sup>2</sup>	< 2,5 m/s <sup>2</sup>	< 2,5 m/s <sup>2</sup>	< 2,5 m/s <sup>2</sup>
Tolerancia K.....	1,5 m/s <sup>2</sup>	1,5 m/s <sup>2</sup>	1,5 m/s <sup>2</sup>	1,5 m/s <sup>2</sup>

\* Medido según norma AEG N 877318

### ADVERTENCIA

El nivel vibratorio indicado en estas instrucciones ha sido medido conforme a un método de medición estandarizado en la norma EN 60745, y puede utilizarse para la comparación entre herramientas eléctricas. También es apropiado para una estimación provisional de la carga de vibración.

El nivel vibratorio indicado representa las aplicaciones principales de la herramienta eléctrica. Si, pese a ello, se utiliza la herramienta eléctrica para otras aplicaciones, con útiles adaptables diferentes o con un mantenimiento insuficiente, el nivel vibratorio puede diferir. Esto puede incrementar sensiblemente la carga de vibración durante todo el periodo de trabajo.

Para una estimación exacta de la carga de vibración deberían tenerse en cuenta también los tiempos durante los que el aparato está apagado o, pese a estar en funcionamiento, no está siendo realmente utilizado. Esto puede reducir sustancialmente la carga de vibración durante todo el periodo de trabajo.

Adopte medidas de seguridad adicionales para la protección del operador frente al efecto de las vibraciones, como por ejemplo: mantenimiento de la herramienta eléctrica y de los útiles adaptables, mantener las manos calientes, organización de los procesos de trabajo.



E

**⚠ ADVERTENCIA!** Rogamos leer las indicaciones de seguridad y las instrucciones, también las que contiene el folleto adjunto. En caso de no atenderse a las advertencias de peligro e instrucciones siguientes, ello puede ocasionar una descarga eléctrica, un incendio y/o lesión grave.

**Guardar todas las advertencias de peligro e instrucciones para futuras consultas.**

## INSTRUCCIONES DE SEGURIDAD

**¡Utilice protección auditiva!** La exposición a niveles de ruido excesivos puede causar la pérdida de audición.

**Sujete el aparato de las superficies aisladas de agarre al efectuar trabajos en los cuales la perforadora de percusión pueda entrar en contacto con conductores de corriente ocultos o con el propio cable.** El contacto de la perforadora de percusión con un conducto con energía aplicada también podrá poner bajo tensión partes metálicas del aparato y causar un choque eléctrico.

Para trabajar con la máquina, utilice siempre gafas de protección, guantes, calzado de seguridad antideslizante, así como es recomendable usar protectores auditivos.

El polvo que se produce durante estos trabajos puede ser nocivo a la salud; es por ello es aconsejable que no penetre al cuerpo. Utilice por ello una máscara protectora contra polvo.

Nunca se debe intentar limpiar el polvo o viruta procedente del taladrado con la máquina en funcionamiento.

Para trabajar en paredes, techo o suelo, tenga cuidado para evitar los cables eléctricos y tuberías de gas o agua.

Retire la batería antes de comenzar cualquier trabajo en la máquina.

No tire las baterías usadas a la basura ni al fuego. Los Distribuidores AEG ofrecen un servicio de recogida de baterías antiguas para proteger el medio ambiente.

No almacene la batería con objetos metálicos (riesgo de cortocircuito).

Recargar solamente los acumuladores del Sistema GBS en cargadores GBS. No intentar recargar acumuladores de otros sistemas.

No introduzca en la cavidad del cargador objetos metálicos (riesgo de cortocircuito).

No abra nunca las baterías ni los cargadores y guárdelos sólo en lugares secos. Protéjalos de la humedad en todo momento.

En caso de sobrecarga o alta temperatura, pueden llegar a producirse escapes de ácido provenientes de la batería. En caso de contacto con éste, limpie inmediatamente la zona con agua y jabón. Si el contacto es en los ojos, límpiense concienzudamente con agua durante 10 minutos y acuda inmediatamente a un médico

## APLICACIÓN DE ACUERDO A LA FINALIDAD

BS 12G, BS 14G: El taladro/atornillador por acumulador está diseñado para trabajos de taladrado y atornillado para uso independiente lejos de suministro eléctrico.

BSB 12G, BSB 14G: El taladro-atornillador por acumulador es utilizable en todo tipo de trabajos taladrar, con y sin percusión, atornillar sin depender de una toma de corriente.

No utilice este producto para ninguna otra aplicación que no sea su uso normal.

## DECLARACION DE CONFORMIDAD CE

Declaramos bajo nuestra sola responsabilidad que este producto está en conformidad con las normas o documentos normalizados siguientes. EN 60745, EN 55014-1, EN 55014-2, de acuerdo con las regulaciones 2006/42/CE, 2004/108/CE



Winnenden, 2011-08-10

Rainer Kumpf

Manager Product Development

Autorizado para la redacción de los documentos técnicos.

## INDICACIONES PARA EL TRABAJO

No utilizar jamás el cambio de velocidades estando la máquina conectada, accionar únicamente al estar enterrumpido el funcionamiento.

## BATERIA

Las baterías nuevas alcanzan su plena capacidad de carga después de 4 - 5 cargas y descargas. Las baterías no utilizadas durante cierto tiempo deben ser recargadas antes de usar.

Las temperaturas superiores a 50°C reducen el rendimiento de la batería. Evite una exposición excesiva a fuentes de calor o al sol (riesgo de sobrecalentamiento).

Los puntos de contacto de los cargadores y las baterías se deben mantener limpios.

## MANTENIMIENTO

Solo se deben utilizar accesorios y piezas de repuestos AEG. Piezas cuyo recambio no está descrito en las instrucciones de uso, deben sustituirse en un centro de asistencia técnica AEG (Consulte el folleto Garantía/Direcciones de Centros de Asistencia Técnica).

En caso necesario, puede solicitar un despiece de la herramienta. Por favor indique el número de impreso de diez dígitos que hay en la etiqueta y pida el despiece a la siguiente dirección: AEG Electric Tools GmbH, Max-Eyth-Straße 10, D-71364 Winnenden, Germany.

## SÍMBOLOS



Lea las instrucciones detenidamente antes de conectar la herramienta



¡ATENCIÓN! ¡ADVERTENCIA! ¡PELIGRO!



Retire la batería antes de comenzar cualquier trabajo el aparato.



Accesorio - No incluido en el equipo estándar, disponible en la gama de accesorios.



¡No deseche los aparatos eléctricos junto con los residuos domésticos! De conformidad con la Directiva Europea 2002/96/CE sobre residuos de aparatos eléctricos y electrónicos y su aplicación de acuerdo con la legislación nacional, las herramientas eléctricas cuya vida útil haya llegado a su fin se deberán recoger por separado y trasladar a una planta de reciclaje que cumpla con las exigencias ecológicas.

**Español**

	BS 12G	BS 14G	BSB 12G	BSB 14G
Ø de furo em aço.....	10 mm	10 mm	10 mm	10 mm
Ø de furo em aço (com da boucha 1,5 - 13 mm) .....	-	13 mm	-	13 mm
Ø de furo em madeira.....	30 mm	32 mm	30 mm	32 mm
Ø de furo em madeira (com da boucha 1,5 - 13 mm).....	-	32 mm	-	32 mm
Ø de furo em tijolo e calcário .....	-	-	6 mm	8 mm
Parafusos para madeira (sem furo prévio) .....	4,2 mm	4,2 mm	4,2 mm	4,2 mm
Nº de rotações em vazio na 1ª velocidade .....	0-350 min <sup>-1</sup>	0-400 min <sup>-1</sup>	0-350 min <sup>-1</sup>	0-400 min <sup>-1</sup>
Nº de rotações em vazio na 2ª velocidade .....	0-1350 min <sup>-1</sup>	0-1400 min <sup>-1</sup>	0-1350 min <sup>-1</sup>	0-1400 min <sup>-1</sup>
Nº de rotações em vazio na 2ª velocidade (Li-Ion).....	-	0-1500 min <sup>-1</sup>	-	0-1500 min <sup>-1</sup>
Frequência de percussão em carga .....	-	-	20 250 min <sup>-1</sup>	21 000 min <sup>-1</sup>
Frequência de percussão em carga (Li-Ion) .....	-	-	-	22 500 min <sup>-1</sup>
Binário *.....	30 Nm	32 Nm	30 Nm	32 Nm
Binário * (Li-Ion) .....	-	36 Nm	-	36 Nm
Tensão do acumulador .....	12 V	14,4 V	12 V	14,4 V
Capacidade da bucha .....	1-10 mm	1-10 mm	1-10 mm	1-10 mm
Capacidade da bucha .....	-	1,5-13 mm	-	1,5-13 mm
Peso com acumulador (1.4 Ah) .....	1,65 kg	1,95 kg	1,8 kg	2,1 kg
Peso com acumulador (1.5 Ah Li-Ion) .....	-	1,52 kg	-	1,65 kg

**Informações sobre ruído/vibração**

Valores de medida de acordo com EN 60 745.

O nível de ruído avaliado A do aparelho é tipicamente:

Nível da pressão de ruído (K=3dB(A)).....90 dB(A).....90 dB(A).....90 dB(A).....90 dB(A)

Nível da potência de ruído (K=3dB(A)).....101 dB(A).....101 dB(A).....101 dB(A).....101 dB(A)

**Use protectores auriculares!**

Valores totais de vibração (soma dos vectores das três direcções) determinadas conforme EN 60745.

Valor de emissão de vibração a<sub>h</sub>

Furar de impacto em betão .....- .....15,6 m/s2..... 13,7 m/s2

Incerteza K.....- .....1,5 m/s2..... 1,5 m/s2

Furar em metal.....< 2,5 m/s2..... < 2,5 m/s2..... < 2,5 m/s2.....< 2,5 m/s2

Incerteza K.....1,5 m/s2..... 1,5 m/s2..... 1,5 m/s2..... 1,5 m/s2

Parafusos.....< 2,5 m/s2..... < 2,5 m/s2..... < 2,5 m/s2.....< 2,5 m/s2

Incerteza K.....1,5 m/s2..... 1,5 m/s2..... 1,5 m/s2..... 1,5 m/s2

\* Medido em conformidade com a AEG Norm N 877318

**ATENÇÃO**

O nível vibratório indicado nestas instruções foi medido em conformidade com um procedimento de medição normalizado na EN 60745 e pode ser utilizado para comparar entre si ferramentas eléctricas. O mesmo é também adequado para avaliar provisoriamente o esforço vibratório.

O nível vibratório indicado representa as principais aplicações da ferramenta eléctrica. Se, no entanto, a ferramenta eléctrica for utilizada para outras aplicações, com outras ferramentas adaptadas ou uma manutenção insuficiente, o nível vibratório poderá divergir. Isto pode aumentar consideravelmente o esforço vibratório ao longo de todo o período do trabalho.

Para uma avaliação exacta do esforço vibratório devem também ser considerados os tempos durante os quais o aparelho está desligado ou está a funcionar, mas não está efectivamente a ser utilizado. Isto pode reduzir consideravelmente o esforço vibratório ao longo de todo o período do trabalho.

Defina medidas de segurança suplementares para proteger o operador do efeito das vibrações, como por exemplo: manutenção da ferramenta eléctrica e das ferramentas adaptadas, manter as mãos quentes, organização das seqüências de trabalho.



Por

**⚠ ATENÇÃO!** Leia todas as instruções de segurança e todas as instruções, também aquelas que constam na brochura juntada. O desrespeito das advertências e instruções apresentadas abaixo pode causar choque eléctrico, incêndio e/ou graves lesões.

**Guarde bem todas as advertências e instruções para futura referência.**

## INSTRUÇÕES DE SEGURANÇA

**Sempre use a protecção dos ouvidos.** Os ruídos podem causar surdez.

**Segure o aparelho nas superfícies de punho isoladas se estiver a executar trabalhos, nos quais a ferramenta de corte pode tocar em linhas eléctricas escondidas ou no próprio cabo.** O contacto da ferramenta de corte com uma linha sob tensão também pode colocar peças metálicas do aparelho sob tensão e levar a um choque eléctrico.

Usar sempre óculos de protecção ao trabalhar com a máquina. Recomenda-se a utilização de luvas de protecção, protectores para os ouvidos e máscara anti-poeiras.

O pó que resulta ao trabalhar pode ser nocivo para a saúde, por isso não devendo penetrar no corpo. Use uma máscara de protecção contra pó apropriada.

Não remover aparas ou lascas enquanto a máquina trabalha.

Ao trabalhar em paredes, tectos e soalhos prestar atenção a que não sejam atingidos cabos eléctricos e canalizações de gás e água.

Antes de efectuar qualquer intervenção na máquina retirar o bloco acumulador.

Não queimar acumuladores gastos nem deitá-los no lixo doméstico. A AEG possui uma eliminação de acumuladores gastos que respeita o meio ambiente.

Não guardar acumuladores junto com objectos metálicos (perigo de curto-circuito).

Use apenas carregadores do Sistema GBS para recarregar os acumuladores do Sistema GBS. Não utilize acumuladores de outros sistemas.

Não abrir acumuladores e carregadores. Armazená-los em recintos secos. Protecção contra humidade.

Carregadores só devem ser utilizados em recintos secos.

Em caso de cargas ou temperaturas extremas, um acumulador de substituição danificado poderá verter líquido de bateria. Se entrar em contacto com este líquido, deverá lavar-se imediatamente com água e sabão. Em caso de contacto com os olhos, enxagúe-os bem e de imediato durante pelo menos 10 minutos e consulte um médico o mais depressa possível.

## UTILIZAÇÃO AUTORIZADA

BS 12G, BS 14G: O berbequim aparafusador sem fio pode ser aplicado universalmente para furar e aparafusar sem necessidade de ligar a máquina à rede.

BSB 12G, BSB 14G: O berbequim aparafusador com percussão e sem fio pode ser aplicado universalmente para furar, furar com percussão e aparafusar sem necessidade de ligar a máquina à rede.

Não use este produto de outra maneira sem ser a normal para o qual foi concebido.

## DECLARAÇÃO DE CONFORMIDADE CE

Declaramos, sob nossa exclusiva responsabilidade, que este produto cumpre as seguintes normas ou documentos normativos: EN 60745, EN 55014-1, EN 55014-2, conforme as disposições das directivas 2006/42/CE, 2004/108/CE



Winnenden, 2011-08-10

Rainer Kumpf

Manager Product Development

Autorizado a reunir a documentação técnica.

## DICAS DE TRABALHO

Nunca accionar o interruptor de velocidades com a máquina ligada, mas sempre com ela parada.

## ACUMULADOR

Acumuladores novos atingem a sua plena capacidade após 4-5 ciclos de carga e descarga. Acumuladores não utilizados durante algum tempo devem ser recarregados antes da sua utilização.

Temperaturas acima de 50°C reduzem a capacidade do bloco acumulador. Evitar exposição prolongada ao sol ou a caloríferos.

Manter limpos os contactos eléctricos no carregador e no bloco acumulador.

## MANUTENÇÃO

Utilizar unicamente acessórios e peças sobressalentes da AEG. Sempre que a substituição de um componente não tenha sido descrita nas instruções, será de toda a conveniência mandar executar esse trabalho a um Serviço de Assistência AEG (veja o folheto Garantia/Endereços de Serviços de Assistência).

A pedido e mediante indicação da referência de dez números que consta da chapa de características da máquina, pode requerer-se um desenho explosivo da ferramenta eléctrica a: AEG Electric Tools GmbH, Max-Eyth-Straße 10, D-71364 Winnenden, Germany.

## SYMBOLE



Leia atentamente o manual de instruções antes de colocar a máquina em funcionamento.



ATENÇÃO! PERIGO!



Antes de efectuar qualquer intervenção o aparelho retirar o bloco acumulador.



Acessório - Não incluído no equipamento normal, disponível como acessório.



Não deite ferramentas eléctricas no lixo doméstico! De acordo com a directiva europeia 2002/96/CE sobre ferramentas eléctricas electrónicas usadas e a transposição para as leis nacionais, as ferramentas eléctricas usadas devem ser recolhidas em separado e encaminhadas a uma instalação de reciclagem dos materiais ecológica.

Português

	BS 12G	BS 14G	BSB 12G	BSB 14G
Boor- $\phi$ in staal .....	10 mm	10 mm	10 mm	10 mm
Boor- $\phi$ in staal (met boorhouder 1,5 - 13 mm) .....	-	13 mm	-	13 mm
Boor- $\phi$ in hout.....	30 mm	32 mm	30 mm	32 mm
Boor- $\phi$ in hout (met boorhouder 1,5 - 13 mm) .....	-	32 mm	-	32 mm
Boor- $\phi$ in tegel en kalkzandsteen.....	-	-	6 mm	8 mm
Houtschroeven (zonder voorboren).....	4,2 mm	4,2 mm	4,2 mm	4,2 mm
Onbelast toerental in stand 1 .....	0-350 min <sup>-1</sup>	0-400 min <sup>-1</sup>	0-350 min <sup>-1</sup>	0-400 min <sup>-1</sup>
Onbelast toerental in stand 2 .....	0-1350 min <sup>-1</sup>	0-1400 min <sup>-1</sup>	0-1350 min <sup>-1</sup>	0-1400 min <sup>-1</sup>
Onbelast toerental in stand 2 (Li-Ion) .....	-	0-1500 min <sup>-1</sup>	-	0-1500 min <sup>-1</sup>
Aantal slagen belast max.....	-	-	20 250 min <sup>-1</sup>	21 000 min <sup>-1</sup>
Aantal slagen belast max. (Li-Ion).....	-	-	-	22 500 min <sup>-1</sup>
Draaimoment * .....	30 Nm	32 Nm	30 Nm	32 Nm
Draaimoment * (Li-Ion) .....	-	36 Nm	-	36 Nm
Spanning wisselakku .....	12 V	14,4 V	12 V	14,4 V
Spanwijdte boorhouder .....	1-10 mm	1-10 mm	1-10 mm	1-10 mm
Spanwijdte boorhouder .....	-	1,5-13 mm	-	1,5-13 mm
Gewicht met accu (1.4 Ah) .....	1,65 kg	1,95 kg	1,8 kg	2,1 kg
Gewicht met accu (1.5 Ah Li-Ion) .....	-	1,52 kg	-	1,65 kg

### Geluids-/trillingsinformatie

Meetwaarden vastgesteld volgens EN 60745.

Het kenmerkende A-gewogen geluidsniveau van de machine bedraagt:

Geluidsdruk-niveau (K=3dB(A)).....	90 dB(A)	90 dB(A)	90 dB(A)	90 dB(A)
Geluidsvermogen-niveau (K=3dB(A)).....	101 dB(A)	101 dB(A)	101 dB(A)	101 dB(A)

### Draag oorbeschermers!

Totale trillingswaarden (vectorsom van drie richtingebepaald volgens EN 60745).

Trillingsemissiewaarde  $a_h$

Slagboren in beton .....	-	-	15,6 m/s <sup>2</sup>	13,7 m/s <sup>2</sup>
Onzekerheid K .....	-	-	1,5 m/s <sup>2</sup>	1,5 m/s <sup>2</sup>
Boren in metaal .....	< 2,5 m/s <sup>2</sup>	< 2,5 m/s <sup>2</sup>	< 2,5 m/s <sup>2</sup>	< 2,5 m/s <sup>2</sup>
Onzekerheid K .....	1,5 m/s <sup>2</sup>	1,5 m/s <sup>2</sup>	1,5 m/s <sup>2</sup>	1,5 m/s <sup>2</sup>
Schroeven.....	< 2,5 m/s <sup>2</sup>	< 2,5 m/s <sup>2</sup>	< 2,5 m/s <sup>2</sup>	< 2,5 m/s <sup>2</sup>
Onzekerheid K .....	1,5 m/s <sup>2</sup>	1,5 m/s <sup>2</sup>	1,5 m/s <sup>2</sup>	1,5 m/s <sup>2</sup>

\* Gemeten volgens de AEG norm N 877318

### WAARSCHUWING

De in deze aanwijzingen vermelde trillingsdruk is gemeten volgens een in EN 60745 genormeerde meetmethode en kan worden gebruikt voor de onderlinge vergelijking van apparaten. Hij is ook geschikt voor een voorlopige inschatting van de trillingsbelasting.

De aangegeven trillingsdruk geldt voor de meest gebruikelijke toepassingen van het elektrische apparaat. Wanneer het elektrische gereedschap echter voor andere doeleinden, met andere dan de voorgeschreven hulpstukken gebruikt of niet naar behoren onderhouden wordt, kan de trillingsdruk afwijken. Dit kan de waarde van de trillingsdruk over de hele werkperiode aanzienlijk verhogen.

Voor een nauwkeurige inschatting van de trillingsdruk moeten ook de tijden in aanmerking worden genomen dat het apparaat uitgeschakeld is of weliswaar loopt, maar niet werkelijk in gebruik is. Dit kan de waarde van de trillingsdruk over de hele werkperiode aanzienlijk verminderen.

Bepaal extra veiligheidsmaatregelen ter bescherming van de bediener tegen de inwerking van trillingen, bijvoorbeeld: onderhoud van elektrische gereedschappen en apparaten, warmhouden van de handen, organisatie van de werkprocessen.





**⚠ WAARSCHUWING!** Lees alle veiligheidsinstructies en aanwijzingen door - ook die in de bijgeleverde brochure. Als de waarschuwingen en voorschriften niet worden opgevolgd, kan dit een elektrische schok, brand of ernstig letsel tot gevolg hebben.

**Bewaar alle waarschuwingen en voorschriften voor toekomstig gebruik.**

### VEILIGHEIDSADVIEZEN

**Draag oorbeschermers.** Lawaai kan gehoorverlies veroorzaken.

**Houd het apparaat alléén aan de geïsoleerde grijpvlakken vast, wanneer u werkzaamheden uitvoert waarbij het snijgereedschap verborgen stroomleidingen of de eigen apparaat-kabel zou kunnen raken.** Het contact van het snijgereedschap met een spanningvoerende leiding kan de metalen apparaatdelen onder spanning zetten en zo tot een elektrische schok leiden.

Bij het werken met de machine altijd een veiligheidsbril dragen. Werkhandschoenen en stofkapje voor de mond worden aanbevolen.

Het gedurende het werken vrijkomende stof is doorgaans schadelijk\*\*\*voor de gezondheid en mag niet met het lichaam in aanraking komen. Draag derhalve een geschikt stofbesermingsmasker.

Spanen of splinters mogen bij draaiende machine niet worden verwijderd.

Bij het werken in wanden, plafonds of vloeren oppassen voor elektrische draden, gas- of waterleidingen.

Voor alle werkzaamheden aan de machine de accu verwijderen.

Verbruikte accu's niet in het vuur of bij het huisvuil werpen. AEG biedt namelijk een milieuvriendelijke recyclingmethode voor uw oude accu's.

Wisselakku's niet bij metalen voorwerpen bewaren (kortsluitingsgevaar!).

Wisselakku's van het Akku-Systeem GBS alléén met laadapparaten van het Akku-Systeem GBS laden. Geen accu's van andere systemen laden.

In de wisselakku-opnameschacht van het laadapparaat mogen géén metaaldeeltjes komen (kortsluitingsgevaar!).

Wisselakku's en laadapparaten niet openen en alleen in droge ruimtes opslaan. Tegen vocht beschermen.

Onder extreme belasting of extreme temperaturen kan uit de accu accu-vloeistof lopen. Na contact met accu-vloeistof direct afwassen met water en zeep. Bij oogcontact direct minstens 10 minuten grondig spoelen en onmiddellijk een arts raadplegen.

### VOORGESCHREVEN GEBRUIK VAN HET SYSTEEM

BS 12G, BS 14G: De accu-boorschroevendraaier is te gebruiken voor boor- en schoefwerkzaamheden, onafhankelijk van een netaansluiting.

BSB 12G, BSB 14G: De accu slagboorschroevendraaier is te gebruiken om te boren, slagboren en te schroeven, onafhankelijk van een netaansluiting.

Dit apparaat uitsluitend gebruiken voor normaal gebruik, zoals aangegeven.

### EC - VERKLARING VAN OVEREENSTEMMING

Wij verklaren dat dit product voldoet aan de volgende normen of normatieve documenten: EN 60745, EN 55014-1, EN 55014-2, overeenkomstig de bepalingen van de richtlijnen 2004/108/EG



Winnenden, 2011-08-10

Rainer Kumpf

Manager Product Development  
Gemachtigd voor samenstelling van de technische documenten

### ARBEIDSINSTRUCTIES

Bedien de versnellingssschakelaar alléén wanneer de machine stilstaat en nooit wanneer de machine ingeschakeld is.

### AKKU

Nieuwe wisselakku's bereiken hun volle capaciteit na 4-5 laad-/ontlaadcycli. Langere tijd niet toegepaste wisselakku's vóór gebruik altijd naladen.

Een temperatuur boven de 50°C vermindert de capaciteit van de accu. Langdurige verwarming door zon of hitte vermijden.

De aansluitcontacten aan het laadapparaat en de accu schoonhouden.

### ONDERHOUD

Alleen AEG toebehoren en onderdelen gebruiken. Onderdelen welke niet vermeld worden, kunnen het beste door de AEG servicedienst vervisseld worden (zie Serviceadressen).

Onder vermelding van het tiencijferige nummer op het machinoplaatsje is desgewenst een doorsnedetekening van de machine verkrijgbaar bij: AEG Electric Tools GmbH, Max-Eyth-Straße 10, D-71364 Winnenden, Germany.

### SYMBOLEN



Graag instructies zorgvuldig doorlezen vóórdat u de machine in gebruik neemt.



OPGELET! WAARSCHUWING! GEVAAR!



Voor alle werkzaamheden aan de apparat de accu verwijderen.



Toebehoren - Wordt niet meegeleverd. Is apart leverbaar. Zie hiervoor het toebehorenprogramma.



Geef elektrisch gereedschap niet met het huisvuil mee! Volgens de Europese richtlijn 2002/96/EG inzake oude elektrische en elektronische apparaten en de toepassing daarvan binnen de nationale wetgeving, dient gebruikt elektrisch gereedschap gescheiden te worden ingezameld en te worden afgevoerd naar een recycle bedrijf dat voldoet aan de geldende milieu-eisen.

	BS 12G	BS 14G	BSB 12G	BSB 14G
Bor-ø i stål .....	10 mm	10 mm	10 mm	10 mm
Bor-ø i stål (med borepatron 1,5 - 13 mm) .....	-	13 mm	-	13 mm
Bor-ø i træ .....	30 mm	32 mm	30 mm	32 mm
Bor-ø i træ (med borepatron 1,5 - 13 mm) .....	-	32 mm	-	32 mm
Bor-ø i tegl og kalksandsten .....	-	-	6 mm	8 mm
Træskruer (uden forboring) .....	4,2 mm	4,2 mm	4,2 mm	4,2 mm
Omdrejningstal, ubelastet i 1. gear .....	0-350 min <sup>-1</sup>	0-400 min <sup>-1</sup>	0-350 min <sup>-1</sup>	0-400 min <sup>-1</sup>
Omdrejningstal, ubelastet i 2. gear .....	0-1350 min <sup>-1</sup>	0-1400 min <sup>-1</sup>	0-1350 min <sup>-1</sup>	0-1400 min <sup>-1</sup>
Omdrejningstal, ubelastet i 2. gear (Li-Ion) .....	-	0-1500 min <sup>-1</sup>	-	0-1500 min <sup>-1</sup>
Slagantal belastet max. ....	-	-	20 250 min <sup>-1</sup>	21 000 min <sup>-1</sup>
Slagantal belastet max. (Li-Ion) .....	-	-	-	22 500 min <sup>-1</sup>
Drejningsmoment * .....	30 Nm	32 Nm	30 Nm	32 Nm
Drejningsmoment * (Li-Ion) .....	-	36 Nm	-	36 Nm
Udskiftningsbatteriets spænding .....	12 V	14,4 V	12 V	14,4 V
Borepatronspændevide .....	1-10 mm	1-10 mm	1-10 mm	1-10 mm
Borepatronspændevide .....	-	1,5-13 mm	-	1,5-13 mm
Vægt med batteri (1.4 Ah) .....	1,65 kg	1,95 kg	1,8 kg	2,1 kg
Vægt med batteri (1.5 Ah Li-Ion) .....	-	1,52 kg	-	1,65 kg

### Støj/Vibrationsinformation

Måleværdier beregnes iht. EN 60 745.

Værktøjets A-vurderede støjniveau er typisk:

Lydtrykniveau (K=3dB(A)) .....	90 dB(A)	90 dB(A)	90 dB(A)	90 dB(A)
Lydeffekt niveau (K=3dB(A)) .....	101 dB(A)	101 dB(A)	101 dB(A)	101 dB(A)

### Brug høreværn!

Samlede vibrationsværdier (værdisum for tre retninger) beregnet iht. EN 60745.

Vibrationseksponering a<sub>h</sub>

Slagboring i beton .....	-	-	15,6 m/s <sup>2</sup>	13,7 m/s <sup>2</sup>
Usikkerhed K .....	-	-	1,5 m/s <sup>2</sup>	1,5 m/s <sup>2</sup>
Boring i metal .....	< 2,5 m/s <sup>2</sup>	< 2,5 m/s <sup>2</sup>	< 2,5 m/s <sup>2</sup>	< 2,5 m/s <sup>2</sup>
Usikkerhed K .....	1,5 m/s <sup>2</sup>	1,5 m/s <sup>2</sup>	1,5 m/s <sup>2</sup>	1,5 m/s <sup>2</sup>
Skruning .....	< 2,5 m/s <sup>2</sup>	< 2,5 m/s <sup>2</sup>	< 2,5 m/s <sup>2</sup>	< 2,5 m/s <sup>2</sup>
Usikkerhed K .....	1,5 m/s <sup>2</sup>	1,5 m/s <sup>2</sup>	1,5 m/s <sup>2</sup>	1,5 m/s <sup>2</sup>

\* Målt i.h.t. AEG Norm N 877318

### ADVARSEL

Svingningsniveauet, som er angivet i disse anvisninger, er målt i henhold til standardiseret måleprocedure ifølge EN 60745 og kan anvendes til indbyrdes sammenligning mellem el-værktøjer. Svingningsniveauet er ligeledes egnet som foreløbigt skøn over svingningsbelastningen.

Det angivne svingningsniveau er baseret på el-værktøjets primære anvendelsesformål. Hvis el-værktøjet benyttes til andre formål, med andet indsatsværktøj eller ikke vedligeholdes tilstrækkeligt, kan svingningsniveauet afvige. Dette kan øge svingningsbelastningen over den samlede arbejdsperiode betydeligt.

For en nøjagtig vurdering af svingningsbelastningen skal der også tages højde for de tidsperioder, hvor apparatet er slukket, eller hvor apparatet kører, men uden at være i anvendelse. Dette kan reducere svingningsbelastningen over den samlede arbejdsperiode betydeligt.

Supplerende sikkerhedsforanstaltninger til beskyttelse af brugeren mod påvirkninger fra svingninger skal iværksættes, f.eks.: Vedligeholdelse af el-værktøj og indsatsværktøj, varmholdelse af hænder, organisering af arbejdsprocesser.



**⚠ ADVARSEL!** Læs alle sikkerhedsanvisninger og øvrige vejledninger, også i den vedlagte brochure. I tilfælde af manglende overholdelse af advarselshenvisningerne og instrukserne er der risiko for elektrisk stød, brand og/eller alvorlige kvæstelser.

**Opbevar alle advarselshenvisninger og instrukser til senere brug.**

### SIKKERHEDSHENVISNINGER

**Bær høreværn.** Støjen kan føre til nedsat hørelse.

**Hold maskinen fast i de isolerede gribeblade, når du udfører arbejde, hvor der er risiko for, at skæreværktøjet kan ramme skjulte strømledninger eller værktøjets egen ledning.**

Kommer skæreværktøjet i kontakt med en strømførende ledning, kan maskinens metaldele komme under spænding og give elektrisk stød.

Når der arbejdes med maskinen, skal man have beskyttelsesbriller på. Beskyttelseshandsker, skridsikre sko, høreværn og forklæde anbefales.

Støv, som opstår under arbejdet, er ofte sundhedsfarligt og bør ikke trænge ind i kroppen. Benyt egnet åndedrætsværn.

Spånere eller splinter må ikke fjernes, medens maskinen kører.

Ved arbejdsboring i væg, loft eller gulv skal man passe på elektriske kabler, gas- og vandledninger.

Ved arbejde inden i maskinen, bør batteriet tages ud.

Opbrugte udsiftningsbatterier må ikke brændes eller kasseres sammen med alm. husholdningsaffald. AEG har en miljørigtig bortskaffelse af gamle udsiftningsbatterier, henvend Dem til Deres forhandler.

Opbevar ikke udsiftningsbatterier sammen med metalgenstande af fare for kortslutning.

Brug kun GBS ladeapparater for opladning af System GBS batterier.

Metaldele o.lign må ikke komme i berøring med rummet beregnet for udsiftningsbatteriet (kortslutningsfare).

Udsiftningsbatterier og opladere må ikke åbnes og skal opbevares i tørre rum. Beskyt dem mod fugtighed.

I tilfælde af en ekstrem belastning eller ekstrem temperatur kan der flyde batterivæske ud af et beskadiget batteri. Hvis De kommer i berøring med batterivæsken, skal den vaskes godt og grundigt af med vand og sæbe. I tilfælde af øjenkontakt, skal man mindst skylle øjnene godt og grundigt igennem i 10 minutter og omgående opsøge en læge.

### TILTÆNKT FORMÅL

BS 12G, BS 14G: Akku bore-/skruemaskinen kan bruges universelt til boring og skruning uafhængigt af en nettilslutning.

BSB 12G, BSB 14G: Akku slagboremaskinen kan anvendes til alm. boreopgaver, slagboring og som skruemaskine uden tilslutning til stikkontakt.

Produktet må ikke anvendes på anden måde og til andre formål end foreskrevet.

### CE-KONFORMITETSERKLÆRING

Vi erklærer under almindeligt ansvar, at dette produkt er i overensstemmelse med følgende normer eller normative dokumenter: EN 60745, EN 55014-1, EN 55014-2, i henhold til bestemmelserne i direktiverne 2006/42/EF, 2004/108/EF



Winnenden, 2011-08-10

Rainer Kumpf

Manager Product Development  
Autoriseret til at udarbejde de tekniske dokumenter.

### ARBEJDSANVISNINGER

Gearskifte må ikke aktiveres, når maskinen er tændt - maskinen skal være slukket.

### BATTERI

Nye udsiftningsbatterier opnår deres fulde kapacitet efter 4-5 oplade- og afladecykler. Udsiftningsbatterier, der ikke har været brugt i længere tid, efterlades inden brug.

Ved temperaturer over 50°C formindskes batteriets effekt. Undgå direkte sollys og stærk varme.

Tilslutningskontakterne på oplader og udsiftningsbatterier skal holdes rene.

### VEDLIGEHOLDELSE

Brug kun AEG tilbehør og reservedele. Lad de komponenter, hvis udsiftning ikke er blevet beskrevet, udsifte hos Atlas Copco service (se kundeserviceadresser).

Ved opgivelse af type nr. der er angivet på maskinens effektskilt, kan De rekvirere en reservedelstegning, ved henvendelse til: AEG Electric Tools GmbH, Max-Eyth-Straße 10, D-71364 Winnenden, Germany.

### SYMBOLER



Læs brugsanvisningen nøje før ibrugtagning.



VIGTIGT! ADVARSEL! FARE!



Ved arbejde inden i maskinen, bør batteriet tages ud.



Tilbehør - Ikke inkluderet i leveringsomfanget, køb som tilbehør.



Elværktøj må ikke bortskaffes som almindeligt affald! I henhold til det europæiske direktiv 2002/96/EF om bortskaffelse af elektriske og elektroniske produkter og gældende national lovgivning skal brugt værktøj indsamles separat og bortskaffes på en måde, der skåner miljøet mest muligt.

	BS 12G	BS 14G	BSB 12G	BSB 14G
Bor-ø i stål .....	10 mm	10 mm	10 mm	10 mm
Bor-ø i stål (Med borpatron 1,5 - 13 mm) .....	-	13 mm	-	13 mm
Bor-ø i treverk .....	30 mm	32 mm	30 mm	32 mm
Bor-ø i treverk (Med borpatron 1,5 - 13 mm) .....	-	32 mm	-	32 mm
Bor-ø i tegl og kalksandstein .....	-	-	6 mm	8 mm
Treskruer (uten forboring) .....	4,2 mm	4,2 mm	4,2 mm	4,2 mm
Tomgangsturtall i 1. gir .....	0-350 min <sup>-1</sup>	0-400 min <sup>-1</sup>	0-350 min <sup>-1</sup>	0-400 min <sup>-1</sup>
Tomgangsturtall i 2. gir .....	0-1350 min <sup>-1</sup>	0-1400 min <sup>-1</sup>	0-1350 min <sup>-1</sup>	0-1400 min <sup>-1</sup>
Tomgangsturtall i 2. gir (Li-Ion) .....	-	0-1500 min <sup>-1</sup>	-	0-1500 min <sup>-1</sup>
Lastslag tall maks. .....	-	-	20 250 min <sup>-1</sup>	21 000 min <sup>-1</sup>
Lastslag tall maks. (Li-Ion) .....	-	-	-	22 500 min <sup>-1</sup>
Dreiemoment * .....	30 Nm	32 Nm	30 Nm	32 Nm
Dreiemoment * (Li-Ion) .....	-	36 Nm	-	36 Nm
Spenning vekselbatteri .....	12 V	14,4 V	12 V	14,4 V
Chuckspennområde .....	1-10 mm	1-10 mm	1-10 mm	1-10 mm
Chuckspennområde .....	-	1,5-13 mm	-	1,5-13 mm
Vekt med batteri (1.4 Ah) .....	1,65 kg	1,95 kg	1,8 kg	2,1 kg
Vekt med batteri (1.5 Ah Li-Ion) .....	-	1,52 kg	-	1,65 kg

### Støy/Vibrasjonsinformasjon

Måleverdier fastslått i samsvar med EN 60 745.

Det typiske A-bedømte støynivået for maskinen er:

Lydtrykknivå (K=3dB(A)) .....	90 dB(A)	90 dB(A)	90 dB(A)	90 dB(A)
Lydeffektnivå (K=3dB(A)) .....	101 dB(A)	101 dB(A)	101 dB(A)	101 dB(A)

### Bruk hørselsvern!

Totale svingningsverdier (vektorsum fra tre retninger) beregnet jf. EN 60745.

Svingningsemisjonsverdi a<sub>h</sub>

Slagboring i betong .....	-	-	15,6 m/s <sup>2</sup>	13,7 m/s <sup>2</sup>
Usikkerhet K .....	-	-	1,5 m/s <sup>2</sup>	1,5 m/s <sup>2</sup>
Boring i metall .....	< 2,5 m/s <sup>2</sup>	< 2,5 m/s <sup>2</sup>	< 2,5 m/s <sup>2</sup>	< 2,5 m/s <sup>2</sup>
Usikkerhet K .....	1,5 m/s <sup>2</sup>	1,5 m/s <sup>2</sup>	1,5 m/s <sup>2</sup>	1,5 m/s <sup>2</sup>
Skruing .....	< 2,5 m/s <sup>2</sup>	< 2,5 m/s <sup>2</sup>	< 2,5 m/s <sup>2</sup>	< 2,5 m/s <sup>2</sup>
Usikkerhet K .....	1,5 m/s <sup>2</sup>	1,5 m/s <sup>2</sup>	1,5 m/s <sup>2</sup>	1,5 m/s <sup>2</sup>

\* Målt etter AEG standard N 877318

### ADVARSEL

Svingningsnivået som er angitt i denne instruksjonen er målt i overensstemmelse med målemetoden normert i direktiv EN 60745 og kan brukes til å sammenligne elektromaskiner med hverandre. Den egner seg også for en foreløbig vurdering av svingningsbelastningen.

Det angitte svingningsnivået representerer de hovedsaklige bruk av elektroverktøyet. Men anvendes elektroverktøyet for andre bruk med avvikende utskiftbare verktøy eller vedlikeholdet er utilstrekkelig, kan svingningsnivået være avvikende.

Dette kan forhøye svingningsbelastning betydelig over hele arbeidsperioden. For en nøyaktig vurdering av svingningsbelastningen må også det tas hensyn til tiden apparatet er avslått eller står på, men ikke er i bruk. Dette kan redusere svingningsbelastningen betydelig over hele arbeidsperioden.

Innfør også ekstra sikkerhetstiltak for å beskytte bruker mot utvirkingen av svingningene. Disse kan f.eks. være: vedlikehold av elektroverktøyet og det utskiftbare verktøyet, holde hendene varme, organisasjon av arbeidsforløpet.



Nor

**⚠ ADVARSEL! Les alle sikkerhetsinstruksjoner og bruksanvisninger, også de i den vedlagte brosjyren.** Feil ved overholdelsen av advarslene og nedenstående anvisninger kan medføre elektriske støt, brann og/eller alvorlige skader.

**Ta godt vare på alle advarslene og informasjonene.**

### SPESEILLE SIKKERHETSHENVISNINGER

**Bruk hørselsvern.** Støy kan føre til tap av hørselen.

**Hold apparatet i de isolerte holdeflatene, når det arbeides på steder hvor elektroverktøyet kan treffe skjulte strømledninger eller verktogets egen kabel.** Kontakt med en ledning som er under spenning, kan også sette metalldelel til apparatet under spenning og føre til et elektrisk slag.

Bruk alltid vernebrille når du arbeider med maskinen. Det anbefales å bruke arbeidshansker, faste og sklisikre sko og forkle.

Støvet som oppstår ved arbeidet er ofte helsefarlig og skal ikke komme i kontakt med kroppen. Bruk derfor vernemaske som er egnet for støv.

Spon eller fliser må ikke fjernes mens maskinen er i gang.

Pass på kabler, gass- og vannledninger når du arbeider i vegger, tak eller gulv.

Ta ut vekselbatteriet før du arbeider på maskinen

Ikke kast brukte vekselbatterier i varmen eller husholdningsavfallet. AEG tilbyr en miljøriktig deponering av gamle vekselbatterier; vennligst spør din fagforhandler.

Ikke oppbevar vekselbatterier sammen med metallgjenstander (kortslutningsfare).

Vekselbatterier av systemet GBS skal kun lades med lader av systemet GBS. Ikke lad opp batterier fra andre systemer.

Metalldelel må ikke komme inn i innskyvningssjakten for vekselbatterier på ladere (kortslutningsfare).

Ikke åpne vekselbatterier og ladere, de skal oppbevares i tørre rom. Beskyttes mot fuktighet.

Under ekstreme belastninger og ekstreme temperaturer kan det lekke ut batterivæske fra utskiftbare batterier. Ved berøring med batterivæske, vask umiddelbart med såpe og vann. Ved kontakt med øynene må øynene skylles grundig i rennende vann i minst 10 minutter. Oppsøk lege umiddelbart.

### FORMÅLSMESSIG BRUK

BS 12G, BS 14G: Batteri-boreskrutrekkeren kan brukes universalt for boring og skruing uavhengig av nettilkopling.

BSB 12G, BSB 14G: Batteri-slagboreskrutrekkeren kan brukes universalt til boring, slagboring og skruing uavhengig av nettilkopling.

Denne apparatet må kun brukes til de oppgitte formål.

### CE-SAMSVARERKLÆRING

Vi erklærer på eget ansvar at dette produktet stemmer overens med de følgende normer eller normative dokumenter. EN 60745, EN 55014-1, EN 55014-2, i henhold til bestemmelsene i direktivene 2006/42/EF, 2004/108/EF



Winnenden, 2011-08-10

Rainer Kumpf

Manager Product Development  
Autorisert til å utarbeide den tekniske dokumentasjonen

### ARBEIDSinSTRUKSJONER

Girstangen skal aldri betjenes, når maskinen er påslått. Den skal bare betjenes, når maskinen er i stillstand.

### BATTERIER

Nye vekselbatterier når sin fulle kapasitet etter 4-5 lade- og utladesyklus. Vekselbatterier som ikke er brukt over lengre tid skal etterlades før bruk.

En temperatur over 50°C reduserer vekselbatteriets kapasitet. Unngå oppvarming i sol eller ved varmeovner (fyring) i lengre tid.

Hold tilkoplingskontaktene på lader og vekselbatteri rene.

### VEDLIKEHOLD

Bruk kun AEG tilbehør og reservedeler. Komponenter der utskiftning ikke er beskrevet skal skiftes ut hos AEG kundeservice (se brosjyre garanti/kundeserviceadresser).

Ved behov kan du be om en eksplosjonstegning av apparatet hos din kundeservice eller direkte hos AEG Electric Tools GmbH, Max-Eyth-Strasse 10, D-71364 Winnenden, Germany. Oppgi maskintype og det tilsifrete nummeret på typeskiltet.

### SYMBOLER



Les nøye gjennom bruksanvisningen før maskinen tas i bruk.



OBS! ADVARSEL! FARE!



Ta ut vekselbatteriet før du arbeider på maskinen



Tilbehør - inngår ikke i leveransen, anbefalt komplette- ring fra tilbehørsprogrammet.



Kast aldri elektroverktøy i husholdningsavfallet! I henhold til EU-direktiv 2002/96/EF om kasserte elektriske og elektroniske produkter og direktivets iverksetting i nasjonal rett, må elektroverktøy som ikke lenger skal brukes, samles separat og returneres til et miljøvennlig gjenvinningsanlegg.

	BS 12G	BS 14G	BSB 12G	BSB 14G
Borrdiam. in stål.....	10 mm	10 mm	10 mm	10 mm
Borrdiam. in stål (med chuck 1,5 - 13 mm).....	13 mm	13 mm	-	13 mm
Borrdiam. in trä.....	30 mm	32 mm	30 mm	32 mm
Borrdiam. in trä (med chuck 1,5 - 13 mm).....	32 mm	32 mm	-	32 mm
Borrdiam. tegel, kalksten.....	-	-	6 mm	8 mm
Träskruvning (utan förborring).....	4,2 mm	4,2 mm	4,2 mm	4,2 mm
Obelastat varvtal 1:a växel.....	0-350 min <sup>-1</sup>	0-400 min <sup>-1</sup>	0-350 min <sup>-1</sup>	0-400 min <sup>-1</sup>
Obelastat varvtal 2:a växel.....	0-1350 min <sup>-1</sup>	0-1400 min <sup>-1</sup>	0-1350 min <sup>-1</sup>	0-1400 min <sup>-1</sup>
Obelastat varvtal 2:a växel (Li-Ion).....	-	0-1500 min <sup>-1</sup>	-	0-1500 min <sup>-1</sup>
Belastat slagtal max.....	-	-	20 250 min <sup>-1</sup>	21 000 min <sup>-1</sup>
Belastat slagtal max. (Li-Ion).....	-	-	-	22 500 min <sup>-1</sup>
Vridmoment *.....	30 Nm	32 Nm	30 Nm	32 Nm
Vridmoment * (Li-Ion).....	-	36 Nm	-	36 Nm
Batterispänning.....	12 V	14,4 V	12 V	14,4 V
Chuckens spännområde.....	1-10 mm	1-10 mm	1-10 mm	1-10 mm
Chuckens spännområde.....	-	1,5-13 mm	-	1,5-13 mm
Vikt inkl. batteri (1.4 Ah).....	1,65 kg	1,95 kg	1,8 kg	2,1 kg
Vikt inkl. batteri (1.5 Ah Li-Ion).....	-	1,52 kg	-	1,65 kg

### Buller-/vibrationsinformation

Mätvärdena har tagits fram baserade på EN 60 745.

A-värdet av maskinens ljudnivå utgör:

Ljudtrycksnivå (K=3dB(A)).....	90 dB(A)	90 dB(A)	90 dB(A)	90 dB(A)
Ljudeffektsnivå (K=3dB(A)).....	101 dB(A)	101 dB(A)	101 dB(A)	101 dB(A)

### Använd hörselskydd!

Totala vibrationsvärden (vektorsumma ur tre riktningar) framtaget enligt EN 60745.

Vibrationsemissionsvärde  $a_h$

Slagbörning i betong.....	-	-	15,6 m/s <sup>2</sup>	13,7 m/s <sup>2</sup>
Onoggrannhet K.....	-	-	1,5 m/s <sup>2</sup>	1,5 m/s <sup>2</sup>
Börning i metall.....	< 2,5 m/s <sup>2</sup>	< 2,5 m/s <sup>2</sup>	< 2,5 m/s <sup>2</sup>	< 2,5 m/s <sup>2</sup>
Onoggrannhet K.....	1,5 m/s <sup>2</sup>	1,5 m/s <sup>2</sup>	1,5 m/s <sup>2</sup>	1,5 m/s <sup>2</sup>
Skruvning.....	< 2,5 m/s <sup>2</sup>	< 2,5 m/s <sup>2</sup>	< 2,5 m/s <sup>2</sup>	< 2,5 m/s <sup>2</sup>
Onoggrannhet K.....	1,5 m/s <sup>2</sup>	1,5 m/s <sup>2</sup>	1,5 m/s <sup>2</sup>	1,5 m/s <sup>2</sup>

\* Uppmätt enligt AEG norm N 877318

### VARNING

Den i de här anvisningarna angivna vibrationsnivån har uppmätts enligt ett i EN 60745 normerat mätförfarande och kan användas vid jämförelse mellan olika elverktyg. Nivån är även lämplig att använda vid en preliminär bedömning av vibrationsbelastningen.

Den angivna vibrationsnivån representerar den huvudsakliga användningen av det aktuella elverktyget. Men om elverktyget ska användas i andra användningsområden, tillsammans med avvikande insatsverktyg eller efter otillräckligt underhåll, kan vibrationsnivån skilja sig. Det kan öka vibrationsbelastningen betydligt under hela arbetstiden.

För att få en exaktare bedömning av vibrationsbelastningen ska även den tid beaktas, under vilken elverktyget är avstängt eller är påslaget, utan att det verkligen används. Det kan reducera vibrationsbelastningen betydligt under hela arbetstiden.

Lägg som skydd för användaren fast extra säkerhetsåtgärder mot vibrationernas verkan, som till exempel: underhåll av elverktyg och insatsverktyg, varmhållning av händer och organisering av arbetsförlöpp.



Sve

**⚠ WARNING! Läs alla säkerhetsanvisningar och andra tillhörande anvisningar, även de i den medföljande broschyren.** Fel som uppstår till följd av att anvisningarna nedan inte följts kan orsaka elstöt, brand och/eller allvarliga kroppsskador.

**Förvara alla varningar och anvisningar för framtida bruk.**

## SÄKERHETSUTRUSTNING

**Bär hörselskydd.** Buller kan leda till att du förlorar hörseln.

**Håll fast apparaten med hjälp av de isolerade greppytorna när du utför arbeten där arbetsverktyget skulle kunna träffa på dolda elledningar eller kablar.** Om man kommer i kontakt med en spänningsförande ledning, så kan även de delar på verktyget som är av metall bli spänningsförande och leda till att man får en elektrisk stöt.

Använd alltid skyddsglasögon, skyddshandskar och hörselskydd.

Det damm som bildas under arbetets gång är ofta hälsofarligt och det ska inte komma in i kroppen. Bär därför lämplig skyddsmask.

Avlägsna aldrig spån eller flisor när maskinen är igång.

Vid arbetenborrning i vägg, tak eller golv, var alltid observant på befintliga el-, gas- eller vattenledningar.

Drag ur batteripaket innan arbete utföres på maskinen.

Kasta inte förbrukade batterier. Lämna dem till AEG Tools för återvinning.

Förvara ej batteriet ihop med metallföremål, kortslutning kan uppstå.

System GBS batterier laddas endast i System GBS laddare. Ladda inte batterier från andra system.

Se upp så att inga metallföremål hamnar i laddarens batterischakt, kortslutning kan uppstå.

Batterier lagras torrt och skyddas för fukt.

Under extrem belastning eller extrem temperatur kan batterivätska tränga ut ur skadade utbytesbatterier. Vid beröring med batterivätska tvätta genast av med vatten och tvål. Vid ögonkontakt spola genast i minst 10 minuter och kontakta genast läkare.

## ANVÄND MASKINEN ENLIGT ANVISNINGARNA

BS 12G, BS 14G: Denna Akkumaskin är användbar för både borrning och skruvning.

BSB 12G, BSB 14G: Denna Akku-slagbormmaskin/skruvdragare är användbar för både borrning, slagborrning och skruvning.

Maskinen får endast användas för angiven tillämpning.

## CE-FÖRSÄKRAN

Vi intygar och ansvarar för, att denna produkt överensstämmer med följande norm och dokument EN 60745, EN 55014-1, EN 55014-2, enl. bestämmelser och riktlinjerna 2004/108/EG



Winnenden, 2011-08-10

Rainer Kumpf

Manager Product Development  
Befullmäktigad att sammanställa teknisk dokumentation.

## ARBETSANVISNINGAR

Växelomkopplaren får inte manövreras när verktyget är påslaget, utan endast i avstängt läge.

## BATTERIER

Nya batterier uppnår max effekt efter 4-5 laddningscykler. Batteri som ej använts på länge måste laddas före nytt bruk.

En temperatur över 50°C reducerar batteriets effekt. Undvik längre uppvärmning tex i solen eller nära ett element.

Se till att anslutningskontaktarna i laddaren och på batteriet är rena.

## SKÖTSEL

Använd endast AEG tillbehör och reservdelar. Reservdelar vars utbyte ej beskrivs bytes bäst av AEG auktoriserad serviceverkstad (se broschyr Garanti/Kundtjänstadresser).

Vid behov av sprängskiss, kan en sådan, genom att uppge maskinens art. nr. (som finns på typskylten) erhållas från: AEG Electric Tools GmbH, Max-Eyth-Strasse 10, D-71364 Winnenden, Germany.

## SYMBOLER



Läs instruktionen noga innan du startar maskinen.



OBSERVERA! VARNING! FARA!



Drag ur batteripaket innan arbete utföres på maskinen.



Tillbehör - Ingår ej i leveransomfånget, erhålles som tillbehör.



Elektriska verktyg får inte kastas i hushållsoporna! Enligt direktivet 2002/96/EG som avser äldre elektrisk och elektronisk utrustning och dess tillämpning enligt nationell lagstiftning ska uttjänta elektriska verktyg sorteras separat och lämnas till miljövänlig återvinning.

	BS 12G	BS 14G	BSB 12G	BSB 14G
Poran ø teräkseen .....	10 mm	10 mm	10 mm	10 mm
Poran ø teräkseen (aina istukan 1,5 - 13 mm) .....	-	13 mm	-	13 mm
Poran ø puuhun .....	30 mm	32 mm	30 mm	32 mm
Poran ø puuhun (aina istukan 1,5 - 13 mm) .....	-	32 mm	-	32 mm
Poran ø tiiliin ja kalkkihiekkakiviin .....	-	-	6 mm	8 mm
Puuruuvi (ilman esiporausta) .....	4,2 mm	4,2 mm	4,2 mm	4,2 mm
Kuormittamaton kierros-luku 1. vaihteella .....	0-350 min <sup>-1</sup>	0-400 min <sup>-1</sup>	0-350 min <sup>-1</sup>	0-400 min <sup>-1</sup>
Kuormittamaton kierros-luku 2. vaihde .....	0-1350 min <sup>-1</sup>	0-1400 min <sup>-1</sup>	0-1350 min <sup>-1</sup>	0-1400 min <sup>-1</sup>
Kuormittamaton kierros-luku 2. vaihde (Li-Ion) .....	-	0-1500 min <sup>-1</sup>	-	0-1500 min <sup>-1</sup>
Kuormitettu iskutaajuus maks. ....	-	-	20 250 min <sup>-1</sup>	21 000 min <sup>-1</sup>
Kuormitettu iskutaajuus maks. (Li-Ion) .....	-	-	-	22 500 min <sup>-1</sup>
Vääntömomentti * .....	30 Nm	32 Nm	30 Nm	32 Nm
Vääntömomentti * (Li-Ion) .....	-	36 Nm	-	36 Nm
Jännite vaihtoakku .....	12 V	14,4 V	12 V	14,4 V
Istukan aukeama .....	1-10 mm	1-10 mm	1-10 mm	1-10 mm
Istukan aukeama .....	-	1,5-13 mm	-	1,5-13 mm
Paino akun kera (1.4 Ah) .....	1,65 kg	1,95 kg	1,8 kg	2,1 kg
Paino akun kera (1.5 Ah Li-Ion) .....	-	1,52 kg	-	1,65 kg

**Melunpäästö-/tärinätiedot**

Mitta-arvot määritetty EN 60 745 mukaan.

Koneen tyyppilinen A-luokitettu melutaso:

Melutaso (K=3dB(A)) .....	90 dB(A)	90 dB(A)	90 dB(A)	90 dB(A)
Äänenvoimakkuus (K=3dB(A)) .....	101 dB(A)	101 dB(A)	101 dB(A)	101 dB(A)

**Käytä kuulosuojaimia!**

Värähtelyn yhteisarvot (kolmen suunnan vektorisummitattuna EN 60745 mukaan).

Värähtelyemissioarvo  $a_h$ 

Betonin iskuporaaminen .....	-	-	15,6 m/s <sup>2</sup>	13,7 m/s <sup>2</sup>
Epävarmuus K .....	-	-	1,5 m/s <sup>2</sup>	1,5 m/s <sup>2</sup>
Metallin poraaminen .....	< 2,5 m/s <sup>2</sup>	< 2,5 m/s <sup>2</sup>	< 2,5 m/s <sup>2</sup>	< 2,5 m/s <sup>2</sup>
Epävarmuus K .....	1,5 m/s <sup>2</sup>	1,5 m/s <sup>2</sup>	1,5 m/s <sup>2</sup>	1,5 m/s <sup>2</sup>
Ruuvinvääntö .....	< 2,5 m/s <sup>2</sup>	< 2,5 m/s <sup>2</sup>	< 2,5 m/s <sup>2</sup>	< 2,5 m/s <sup>2</sup>
Epävarmuus K .....	1,5 m/s <sup>2</sup>	1,5 m/s <sup>2</sup>	1,5 m/s <sup>2</sup>	1,5 m/s <sup>2</sup>

\* Mitattu AEG normin N 877318 mukaan

**VAROITUS**

Näissä ohjeissa mainittu värähtelytaso on mitattu EN 60745 -standardin mukaisella mittausmenetelmällä ja sitä voidaan käyttää sähkötyökalujen vertaamiseen. Sitä voidaan käyttää myös värähtelyrasituksen väliaikaiseen arviointiin.

Mainittu värähtelytaso edustaa sähkötyökalun pääasiallista käyttöä. Jos sähkötyökalua kuitenkin käytetään muihin tehtäviin, poikkeavin työkaluin tai riittämättömästi huoltaen, värähtelytaso voi olla erilainen. Se voi korottaa värähtelyrasitusta koko työajan osalta.

Tarkan värähtelyrasituksen toteamiseen tulee ottaa huomioon aika, jona laite on kytketty pois tai on kylläkin päällä, mutta ei käytössä. Se voi pienentää värähtelyrasitusta koko työajan osalta.

Määrittele lisäturvatoimenpiteitä käyttäjän suojaamiseksi värinöiden vaikutukselta, kuten esimerkiksi: sähkötyökalujen ja käyttötöykalujen huolto, käsien lämpimän pitäminen, työvaiheiden organisaatio.



Suomenkielinen varoitusmerkki.



**VAROITUS!** Lue kaikki, myös oheistetussa esitteessä annetut turvallisuusmääräykset ja käyttöohjeet.

Turvallisuusohjeiden noudattamisen laiminlyönti saattaa johtaa sähköiskuun, tulipaloon ja/tai vakavaan loukkaantumiseen.

**Säilytä kaikki turvallisuus- ja muut ohjeet tulevaisuutta varten.**

### TURVALLISUUSOHJEET

**Käytä korvasuojia.** Melulle altistuminen voi heikentää kuuloa.

**Pitele laitetta vain eristetyistä tarttumapinnoista, kun suoritat sellaisia töitä, joissa leikkaustyökalu saattaa osua piilossa oleviin sähköjohtoihin tai omaan liitäntäjohtoon.**

Leikkaustyökalun yhteys jännitteelliseen johtoon saattaa tehdä laitteen metalliset osat jännitteellisiksi ja aiheuttaa sähköiskun.

Käytä laitteella työskennellessäsi aina suojalaseja. Suojakäsineiden, turvallisien ja tukevapohjaisten kenkien, kuulosuojainten ja suojaesiliinan käyttöä suositellaan.

Koneen käytöstä aiheutuva pöly ja jäte voi olla haitallista terveydelle eikä sen vuoksi tulisi päästä kosketukseen ihon kanssa. Koneella työskennellessä on käytettävä sopivaa suojainta.

Lastuja tai puruja ei saa poistaa koneen käydessä.

Varo seinään, kattoon tai lattiaan porattaessa osumasta sähköjohtoon, kaasu- ja vesijohtoihin.

Ota akku pois ennen kaikkia koneeseen tehtäviä toimenpiteitä.

Käytettyjä vaihtoakkuja ei saa polttaa eikä poistaa normaalin jätehuollon kautta. AEG:llä on tarjolla vanhoja vaihtoakkuja varten ympäristöystävällinen jätehuoltopalvelu.

Vaihtoakkuja ei saa säilyttää yhdessä metalliesineiden kanssa (oikosulkuvaara).

Käytä ainoastaan System GBS latauslaitetta System GBS akkujen lataukseen. Älä käytä muiden järjestelmien akkuja.

On varottava, ettei latauslaitteiden vaihtoakkulatauskoloon joudu metalliesineitä (oikosulkuvaara).

Vaihtoakkuja ja latauslaitteita ei saa avata. Säilytys vain kuivissa tiloissa. Suojattava kosteudelta.

Vaurioituneesta akusta saattaa erityisen kovassa käytössä tai poikkeavassa lämpötilassa vuotaa akkuhappoa. Ihonkohta, joka on joutunut kosketukseen akkuhapon kanssa on viipymättä pestävä vedellä ja saippualla. Silmä, johon on joutunut akkuhappoa, on huuhdeltava vedellä vähintään 10 minuutin ajan, jonka jälkeen on viipymättä hakeuduttava lääkärin apuun.

### TARKOITUKSEN MUKAINEN KÄYTTÖ

BS 12G, BS 14G: Akkuporakone/ruuvinvännin on akkukäyttöinen ja toimii ilman verkkojohtoa.

BSB 12G, BSB 14G: Akkukuporakoneella voi porata, iskuporata ja ruuvata ilmanverkkojohtoa. Koneessa on seuraavat ominaisuudet: Älä käytä tuotetta ohjeiden vastaisesti.

### TODISTUS CE-STANDARDIN MUKAISUUDESTA

Todistamme täten ja vastaamme yksin siitä, että tämä tuote on allalueteltujen standardien ja standardoimisasiakirjojen vaatimusten mukainen. EN 60745, EN 55014-1, EN 55014-2, seuraavien sääntöjen mukaisesti: 2006/42/EY, 2004/108/EY



Winnenden, 2011-08-10

Rainer Kumpf

Manager Product Development  
Valtuutettu kokoamaan tekniset dokumentit.

### TYÖSKENTELVOHJEITA

Älä koskaan siirrä vaihdekytkintä toiseen asentoon koneen käydessä, vaan ainoastaan sen seistessä.

### AKKU

Uudet vaihtoakut saavuttavat täyden varauskyvyn 4-5 latauksen ja purkauksen jälkeen. Pitkään käyttämättä olleet vaihtoakut on ladattava ennen käyttöä.

Yli 50°C lämpötilassa akku suorituskyky heikkenee. Välttähän akkujen säilyttämistä auringossa tai kuivissa tiloissa.

Pidä aina latauslaitteen ja akun kosketinpinnat puhtaina.

### HUOLTO

Käytä vain AEG:n lisälaitteita ja varaosia. Käytä ammattitaitoisten AEG-huoltosopimusliikkeiden palveluja muiden kuin käyttöohjeessa kuvattujen osien vaihdossa. (esite takuu/huoltoilikeluettelo).

Tarpeen vaatiessa voit pyytää lähettämään laitteen kokoonpanopirustuksen ilmoittamalla arvokilven kymmennumeroisen numeron seuraavasta osoitteesta: AEG Electric Tools GmbH, Max-Eyth-Strabe 10, D-71364 Winnenden, Germany.

### SYMBOLIT



Lue käyttöohjeet huolellisesti, ennen koneen käynnistämistä.



HUOMIO! VAROITUS! VAARA!



Ota akku pois ennen kaikkia koneeseen tehtäviä toimenpiteitä.



Lisälaitte - Ei sisälly vakiovarustukseen, saatavana lisätervikkeena.



Älä hävitä sähkötyökalua tavallisen kotitalousjätteen mukana! Vanhoja sähkö- ja elektroniikkalaitteita koskevan EU-direktiivin 2002/96/ETY ja sen maakohtaisen sovellusten mukaisesti käytetyt sähkötyökalut on toimitettava ongelmajätteen keräyspisteeseen ja ohjattava ympäristöystävälliseen kierrätykseen.

	BS 12G	BS 14G	BSB 12G	BSB 14G
Διάμετρος τρύπας σε χάλυβα.....	10 mm	10 mm	10 mm	10 mm
Διάμετρος τρύπας σε χάλυβα (με σφικτήρα τρυπανιού 1,5 - 13 mm).....	-	13 mm	-	13 mm
Διάμετρος τρύπας σε ξύλο.....	30 mm	32 mm	30 mm	32 mm
Διάμετρος τρύπας σε ξύλο (με σφικτήρα τρυπανιού 1,5 - 13 mm).....	-	32 mm	-	32 mm
Διάμετρος τρύπας σε τούβλο και ασβεστόλιθο.....	-	-	6 mm	8 mm
Ξυλόβιδες (χωρίς προδιάρθρωση).....	4,2 mm	4,2 mm	4,2 mm	4,2 mm
Αριθμός στροφών χωρίς φορτίο στην 1η ταχύτητα.....	0-350 min <sup>-1</sup>	0-400 min <sup>-1</sup>	0-350 min <sup>-1</sup>	0-400 min <sup>-1</sup>
Αριθμός στροφών χωρίς φορτίο στην 2η ταχύτητα.....	0-1350 min <sup>-1</sup>	0-1400 min <sup>-1</sup>	0-1350 min <sup>-1</sup>	0-1400 min <sup>-1</sup>
Αριθμός στροφών χωρίς φορτίο στην 2η ταχύτητα (Li-Ion).....	-	0-1500 min <sup>-1</sup>	-	0-1500 min <sup>-1</sup>
Μέγιστος αριθμός κρούσεων σε φορτίο.....	-	-	20 250 min <sup>-1</sup>	21 000 min <sup>-1</sup>
Μέγιστος αριθμός κρούσεων σε φορτίο (Li-Ion).....	-	-	-	22 500 min <sup>-1</sup>
Ροπή στρέψης *.....	30 Nm	32 Nm	30 Nm	32 Nm
Ροπή στρέψης * (Li-Ion).....	-	36 Nm	-	36 Nm
Τάση ανταλλακτικής μπαταρίας.....	12 V	14,4 V	12 V	14,4 V
Περιοχή σύσφιξης του τσοκ.....	1-10 mm	1-10 mm	1-10 mm	1-10 mm
Περιοχή σύσφιξης του τσοκ.....	-	1,5-13 mm	-	1,5-13 mm
Βάρος με μπαταρία (1.4 Ah).....	1,65 kg	1,95 kg	1,8 kg	2,1 kg
Βάρος με μπαταρία (1.5 Ah Li-Ion).....	-	1,52 kg	-	1,65 kg

**Πληροφορίες θορύβου/δονήσεων**

Τιμές μέτρησης εξακριβωμένες κατά EN 60 745.

Η σύμφωνη με την καμπύλη A εκτιμηθείσα στάθμη θορύβου του μηχανήματος αναφέρεται σε:

Στάθμη ηχητικής πίεσης (K=3dB(A)).....	90 dB(A)	90 dB(A)	90 dB(A)	90 dB(A)
Στάθμη ηχητικής ισχύος (K=3dB(A)).....	101 dB(A)	101 dB(A)	101 dB(A)	101 dB(A)

**Φοράτε προστασία ακοής (ωασιπίδες)!**

Υλικές τιμές κραδασμών (άθροισμα διανυσμάτων τριών διευθύνσεων) εξακριβώθηκαν σύμφωνα με τα πρότυπα EN 60745.

Τιμή εκπομπής δονήσεων a<sub>h</sub>

Κρουστικό τρυπάνι σε μπετόν.....	-	-	15,6 m/s <sup>2</sup>	13,7 m/s <sup>2</sup>
Ανασφάλεια K.....	-	-	1,5 m/s <sup>2</sup>	1,5 m/s <sup>2</sup>
Τρύπες σε μέταλλο.....	< 2,5 m/s <sup>2</sup>	< 2,5 m/s <sup>2</sup>	< 2,5 m/s <sup>2</sup>	< 2,5 m/s <sup>2</sup>
Ανασφάλεια K.....	1,5 m/s <sup>2</sup>	1,5 m/s <sup>2</sup>	1,5 m/s <sup>2</sup>	1,5 m/s <sup>2</sup>
Βίδωμα.....	< 2,5 m/s <sup>2</sup>	< 2,5 m/s <sup>2</sup>	< 2,5 m/s <sup>2</sup>	< 2,5 m/s <sup>2</sup>
Ανασφάλεια K.....	1,5 m/s <sup>2</sup>	1,5 m/s <sup>2</sup>	1,5 m/s <sup>2</sup>	1,5 m/s <sup>2</sup>

\* Μετρημένη σύμφωνα με το πρότυπο της AEG N

**ΠΡΟΕΙΔΟΠΟΙΗΣΗ**

Το αναφερόμενο σ' αυτές τις οδηγίες επίπεδο δονήσεων έχει μετρηθεί με μια τυποποιημένη σύμφωνα με το EN 60745 μέθοδο μέτρησης και μπορεί να χρησιμοποιηθεί για τη σύγκριση των ηλεκτρικών εργαλείων μεταξύ τους. Αυτό είναι επίσης κατάλληλο για μια προσωρινή εκτίμηση της επιβάρυνση των δονήσεων.

Το αναφερόμενο επίπεδο δονήσεων αντιπροσωπεύει τις κύριες χρήσεις του ηλεκτρικού εργαλείου. Εάν όμως το ηλεκτρικό χρησιμοποιείται σε άλλες χρήσεις, με διαφορετικά εργαλεία εφαρμογής ή ανεπαρκή συντήρηση, μπορεί να υπάρξει απόκλιση του επιπέδου δονήσεων. Αυτό μπορεί να αυξήσει σημαντικά την επιβάρυνση των δονήσεων για τη συνολική διάρκεια της εργασίας

Για μια ακριβή εκτίμηση της επιβάρυνσης των δονήσεων οφείλουν επίσης να λαμβάνονται υπόψη οι χρόνοι, στους οποίους η συσκευή είναι απενεργοποιημένη ή είναι μεν ενεργοποιημένη αλλά δεν χρησιμοποιείται πραγματικά. Αυτό μπορεί να μειώσει σημαντικά την επιβάρυνση των δονήσεων για τη συνολική διάρκεια της εργασίας.

Καθορίζετε πρόσθετα μέτρα ασφαλείας για την προστασία του χειριστή από την επίδραση των δονήσεων όπως για παράδειγμα: Συντήρηση του ηλεκτρικού εργαλείου και των εργαλείων εφαρμογής, διατηρείτε ζεστά τα χέρια, οργάνωση των διαδικασιών εργασίας.



**⚠ ΠΡΟΕΙΔΟΠΟΙΗΣΗ!** Διαβάστε όλες τις Υποδείξεις ασφαλείας και τις Οδηγίες, και αυτές στο επισυναπτόμενο φυλλάδιο. Αμέλειες κατά την τήρηση των προειδοποιητικών υποδείξεων μπορεί να προκαλέσουν ηλεκτροπληξία, κίνδυνο πυρκαγιάς ή/και σοβαρούς τραυματισμούς.

**Φυλάξτε όλες τις προειδοποιητικές υποδείξεις και οδηγίες για κάθε μελλοντική χρήση.**

#### ΕΙΔΙΚΕΣ ΥΠΟΔΕΙΞΕΙΣ ΑΣΦΑΛΕΙΑΣ

**Φοράτε ωτοασπίδες.** Η επίδραση του θορύβου μπορεί να προκαλέσει απώλεια ακοής.

**Να πάνετε τη συσκευή στις μονωμένες χειρολαβές όταν εκτελείτε εργασίες κατά τις οποίες τα κοπτικά εργαλεία θα περνούσαν να πέσουν επάνω σε κρυμμένα καλώδια ρεύματος ή στο δικό της καλώδιο.** Η επαφή των κοπτικών εργαλείων με αγωγό τροφοδοσίας τάσης μπορεί να θέσει τα μεταλλικά τμήματα της συσκευής υπ' όσταση και να προκαλέσει ηλεκτροπληξία.

Στις εργασίες με τη μηχανή φοράτε πάντοτε προστατευτικά γυαλιά. Συνίστανται τα προστατευτικά γάντια, τα σταθερά και αντιολισθητικά παπούτσια και η ποδιά.

Η σκόνη που δημιουργείται κατά την εργασία είναι συχνά επιβλαβής για την υγεία και δεν επιτρέπεται να έλθει στο σώμα. Να φοράτε κατάλληλη μάσκα προστασίας από σκόνη.

Τα γυαλιά ή οι σκλήθρες δεν επιτρέπεται να απομακρύνονται όσο η μηχανή βρίσκεται σε λειτουργία.

Κατά τις εργασίες σε τοίχο, οροφή ή δάπεδο προσέχετε για τυχόν ηλεκτρικά καλώδια και για σωλήνες αερίου και νερού.

Πριν από κάθε εργασία στην μηχανή αφαιρείτε την ανταλλακτική μπαταρία.

Μην πετάτε τις μεταχειρισμένες ανταλλακτικές μπαταρίες στη φωτιά ή στα οικιακά απορρίμματα. Η AEG προσφέρει μια απόσυρση των παλιών ανταλλακτικών μπαταριών σύμφωνα με τους κανόνες προστασίας του περιβάλλοντος, ρωτήστε παρακαλώ σχετικά στο ειδικό κατάστημα πώλησης.

Μην αποθηκεύετε τις ανταλλακτικές μπαταρίες μαζί με μεταλλικά αντικείμενα (κίνδυνος βραχυκυκλώματος).

Φορτίζετε τις ανταλλακτικές μπαταρίες του συστήματος GBS μόνο με φορτιστές του συστήματος GBS. Μη φορτίζετε μπαταρίες από άλλα συστήματα.

Στη θήκη υποδοχής των ανταλλακτικών μπαταριών του φορτιστή δεν επιτρέπεται να φθάνουν μεταλλικά αντικείμενα (κίνδυνος βραχυκυκλώματος).

Μην ανοίγετε τις ανταλλακτικές μπαταρίες και τους φορτιστές και χρησιμοποιείτε για αποθήκευση μόνο στεγνούς χώρους. Προστατεύετε τις ανταλλακτικές μπαταρίες και τους φορτιστές από την υγρασία.

Όταν υπάρχει υπερβολική καταπόνηση ή υψηλή θερμοκρασία μπορεί να τρέξει υγρό μπαταρίας από τις χαλασμένες επαναφορτιζόμενες μπαταρίες. Αν έρθετε σε επαφή με υγρό μπαταρίας να πλυθήτε αμέσως με νερό και σαπούνι. Σε περίπτωση επαφής με τα μάτια να πλυθήτε σχολαστικά για τουλάχιστον 10 λεπτά και να αναζητήσετε αμέσως ένα γιατρό.

#### ΧΡΗΣΗ ΣΥΜΦΩΝΑ ΜΕ ΤΟ ΣΚΟΠΟ ΠΡΟΟΡΙΣΜΟΥ

BS 12G, BS 14G: Το δραπενοκατάβιδο μπαταρίας μπορεί να χρησιμοποιηθεί γενικά για τρύπημα και βίδωμα ανεξάρτητα από το αν υπάρχει παροχή ρεύματος.

BSB 12G, BSB 14G: Το κρουστικό δραπενοκατάβιδο μπαταρίας μπορεί να χρησιμοποιηθεί γενικά για τρύπημα, κρουστικό τρύπημα και βίδωμα ανεξάρτητα από το αν υπάρχει παροχή ρεύματος.

Αυτή η συσκευή επιτρέπεται να χρησιμοποιηθεί μόνο σύμφωνα με τον αναφερόμενο σκοπό προορισμού.

#### ΔΗΛΩΣΗ ΠΙΣΤΟΤΗΤΑΣ ΕΚ

Δηλώνουμε με αποκλειστική μας ευθύνη, ότι αυτό το προϊόν ανταποκρίνεται στα ακόλουθα πρότυπα ή έγγραφα τυποποίησης. EN 60745, EN 55014-1, EN 55014-2, σύμφωνα με τις διατάξεις των οδηγιών 2006/42/ΕΚ 2004/108/ΕΚ



Winnenden, 2011-08-10

*Rainer Kumpf*

Rainer Kumpf

Manager Product Development

Εξουσιοδοτημένος να συντάξει τον τεχνικό φάκελο.

#### ΥΠΟΔΕΙΞΕΙΣ ΕΡΓΑΣΙΑΣ

Δεν χειρίζεστε ποτέ το διακόπτη ταχύτητας με ενεργοποιημένη τη μηχανή, αλλά μόνο όταν αυτή είναι ακινητοποιημένη.

#### ΜΠΑΤΑΡΙΕΣ

Οι νέες ανταλλακτικές μπαταρίες φθάνουν στην πλήρη χωρητικότητά τους μετά από 4-5 κύκλους φόρτισης και εκφόρτισης. Επαναφορτίζετε τις ανταλλακτικές μπαταρίες που δεν έχουν χρησιμοποιηθεί για μεγαλύτερο χρονικό διάστημα πριν τη χρήση.

Μια θερμοκρασία πάνω από 50°C μειώνει την ισχύ της ανταλλακτικής μπαταρίας. Αποφύγετε τη θέρμανση για μεγαλύτερο χρονικό διάστημα από τον ήλιο ή τις συσκευές θέρμανσης.

Διατηρείτε τις επαφές σύνδεσης στο φορτιστή και στην ανταλλακτική μπαταρία καθαρές.

#### ΣΥΝΤΗΡΗΣΗ

Χρησιμοποιείτε μόνο εξαρτήματα και ανταλλακτικά της AEG. Αναθέστε την αλλαγή των εξαρτημάτων, των οποίων η αντικατάσταση δεν έχει περιγραφεί, σ' ένα κέντρο σέρβις της AEG (προσέξτε το εγχειρίδιο Εγγύηση/Διευθύνσεις εξυπηρέτησης πελατών).

Όταν χρειάζεται, μπορείτε να ζητήσετε ένα σχέδιο συναρμολόγησης της συσκευής, δίνοντας τον τύπο της μηχανής και το δεκαψήφιο αριθμό στην πινακίδα ισχύος, από το κέντρο σέρβις ή απευθείας από τη φίρμα AEG Electric Tools GmbH, Max-Eyth-Strasse 10, D-71364 Winnenden, Germany.

#### ΣΥΜΒΟΛΑ



Παρακαλώ διαβάστε σχολαστικά τις οδηγίες χρήσης πριν από την έναρξη λειτουργίας.



ΠΡΟΣΟΧΗ! ΠΡΟΕΙΔΟΠΟΙΗΣΗ! ΚΙΝΔΥΝΟΣ!



Πριν από κάθε εργασία στη μηχανή αφαιρείτε την ανταλλακτική μπαταρία.



Εξαρτήματα - Δεν περιλαμβάνονται στα υλικά παράδοσης, συνιστούμενη προσθήκη από το πρόγραμμα εξαρτημάτων.



Μην πετάτε τα ηλεκτρικά εργαλεία στον κάδο οικιακών απορριμμάτων! Σύμφωνα με την ευρωπαϊκή οδηγία 2002/96/ΕΚ περί ηλεκτρικών και ηλεκτρονικών συσκευών και την ενσωμάτωσή της στο εθνικό δίκαιο, τα ηλεκτρικά εργαλεία πρέπει να συλλέγονται ξεχωριστά και να πιστρέφονται για ανακύκλωση με τρόπο φιλικό προς το περιβάλλον.

Ελληνικά

	BS 12G	BS 14G	BSB 12G	BSB 14G
Delme çapı çelikte .....	10 mm	10 mm	10 mm	10 mm
Delme çapı çelikte (alet mandren 1,5 - 13 mm) .....	-	13 mm	-	13 mm
Delme çapı tahta .....	30 mm	32 mm	30 mm	32 mm
Delme çapı tahta (alet mandren 1,5 - 13 mm) .....	-	32 mm	-	32 mm
Delme çapı tuğla ve kireçli kum taşı .....	-	-	6 mm	8 mm
Ağaç vidaları (kılavuz deliksiz) .....	4,2 mm	4,2 mm	4,2 mm	4,2 mm
Boştaki devir sayısı 1. viteste .....	0-350 min <sup>-1</sup>	0-400 min <sup>-1</sup>	0-350 min <sup>-1</sup>	0-400 min <sup>-1</sup>
Boştaki devir sayısı 2. vitese .....	0-1350 min <sup>-1</sup>	0-1400 min <sup>-1</sup>	0-1350 min <sup>-1</sup>	0-1400 min <sup>-1</sup>
Boştaki devir sayısı 2. vitese (Li-Ion) .....	-	0-1500 min <sup>-1</sup>	-	0-1500 min <sup>-1</sup>
Yükteki maksimum darbe sayısı .....	-	-	20 250 min <sup>-1</sup>	21 000 min <sup>-1</sup>
Yükteki maksimum darbe sayısı (Li-Ion) .....	-	-	-	22 500 min <sup>-1</sup>
Tork * .....	30 Nm	32 Nm	30 Nm	32 Nm
Tork * (Li-Ion) .....	-	36 Nm	-	36 Nm
Kartuş akü gerilimi .....	12 V	14,4 V	12 V	14,4 V
Mandren kapasitesi .....	1-10 mm	1-10 mm	1-10 mm	1-10 mm
Mandren kapasitesi .....	-	1,5-13 mm	-	1,5-13 mm
Akü ile ağırlık (1.4 Ah) .....	1,65 kg	1,95 kg	1,8 kg	2,1 kg
Akü ile ağırlık (1.5 Ah Li-Ion) .....	-	1,52 kg	-	1,65 kg

### Gürültü/Vibrasyon bilgileri

Ölçüm değerleri EN 60 745 e göre belirlenmektedir.

Aletin, frekansa bağımlı uluslararası ses basıncı seviyesi değerlendirme eğrisi A'ya göre tipik gürültü seviyesi:

Ses basıncı seviyesi (K=3dB(A)) .....	90 dB(A)	90 dB(A)	90 dB(A)	90 dB(A)
Akustik kapasite seviyesi (K=3dB(A)) .....	101 dB(A)	101 dB(A)	101 dB(A)	101 dB(A)

### Koruyucu kulaklık kullanın!

Toplam titreşim değeri (üç yönün vektör toplamı) EN 60745'e göre belirlenmektedir:

titreşim emisyon değeri a<sub>h</sub>

Darbéli beton delme .....	-	-	15,6 m/s <sup>2</sup>	13,7 m/s <sup>2</sup>
Tolerans K .....	-	-	1,5 m/s <sup>2</sup>	1,5 m/s <sup>2</sup>
Metal delme .....	< 2,5 m/s <sup>2</sup>	< 2,5 m/s <sup>2</sup>	< 2,5 m/s <sup>2</sup>	< 2,5 m/s <sup>2</sup>
Tolerans K .....	1,5 m/s <sup>2</sup>	1,5 m/s <sup>2</sup>	1,5 m/s <sup>2</sup>	1,5 m/s <sup>2</sup>
Vida ile tutturma .....	< 2,5 m/s <sup>2</sup>	< 2,5 m/s <sup>2</sup>	< 2,5 m/s <sup>2</sup>	< 2,5 m/s <sup>2</sup>
Tolerans K .....	1,5 m/s <sup>2</sup>	1,5 m/s <sup>2</sup>	1,5 m/s <sup>2</sup>	1,5 m/s <sup>2</sup>

\* AEG Norm N 877318'e göre ölçülmüştür.

### UYARI

Bu talimatlarda belirtilen titreşim seviyesi, EN 60745 standardına uygun bir ölçme metodu ile ölçülmüştür ve elektrikli el aletleri birbirile karşılaştırmak için kullanılabilir. Ölçüm sonuçları ayrıca titreşim yükünün geçici değerlendirmesi için de uygundur.

Belirtilen titreşim seviyesi, elektrikli el aletinin genel uygulamaları için geçerlidir. Ancak elektrikli el aleti başka uygulamalar için, farklı eklenti parçalarıyla ya da yetersiz bakım koşullarında kullanılırsa, titreşim seviyesi farklılık gösterebilir. Bu durumda, titreşim yükü toplam çalışma zaman aralığı içerisinde belirgin ölçüde yükselebilir.

Titreşim yükünün tam bir değerlendirilmesi için ayrıca cihazın kapalı olduğu süreler ve cihazın çalışır durumda olduğu, ancak gerçek kullanımda bulunmadığı süreler de dikkate alınmalıdır. Böylelikle, toplam çalışma zamanı aralığı boyunca meydana gelen titreşim yükü belirgin ölçüde azaltılabilir.

Kullanıcı titreşimlerin etkisinden korumak üzere, örneğin elektrikli el aletlerinin ve eklenti parçalarının bakımı, ellerin sıcak tutulması ve iş akışlarının organizasyonu gibi ek güvenlik tedbirleri belirleyiniz.



Tür

**⚠ UYARI! Güvenlikle ilgili bütün açıklamaları, talimatları ve ilişikteki broşürde yazılı bulunan hususları okuyunuz.** Açıklanan uyarılara ve talimat hükümlerine uyulmadığı takdirde elektrik çarpmalarına, yangınlara ve/veya ağır yaralanmalara neden olunabilir.

**Bütün uyarıları ve talimat hükümlerini ileride kullanmak üzere saklayın.**

### GÜVENLİĞİNİZ İÇİN TALIMATLAR

**Koruyucu kulaklık kullanın.** Gürültü etkisi işitme kaybını etkiler.

**Kesme aletinin eğrilmiş elektrik kabloları veya kendi kablosuna isabet eden çalışmalar yapılırken cihazı izole edilmiş kollarından tutun.** Kesme aletinin içinden elektrik akımı geçen kablo ile temas etmesi durumunda elektrik akımı cihazın metal kısımlarına geçer ve elektrik çarpmasına sebebiyet verebilir.

Aletle çalışırken daima koruyucu gözlük kullanın. Koruyucu iş eldivenleri, sağlam ve kaymaz ayakkabılar ve iş önlüğü kullanmanızı tavsiye ederiz.

Çalışma sırasında ortaya çıkan toz genellikle sağlığa zararlıdır ve be-  
deninize temas etmemelidir. Uygun bir koruyucu toz maskesi kullanın  
Alet çalışır durumda iken talaş ve kırpıntıları temizlemeye çalışmayın.  
Duvar, tavan ve zeminde delik açarken elektrik kablolarına, gaz ve su  
borularına dikkat edin.

Aletin kendinde bir çalışma yapmadan önce kartuş aküyü çıkarın.

Kullanılmış kartuş aküleri ateşe veya ev çöplerine atmayın. AEG,  
kartuş akülerin çevreye zarar vermeyecek biçimde tasfiye edilmesine  
olanak sağlayan hizmet sunar; lütfen bu konuda yetkili satıcınızdan  
bilgi alın.

Kartuş aküleri metal parça veya eşyalarla birlikte saklamayın (kısa  
devre tehlikesi).

GBS sistemli kartuş aküleri sadece GBS sistemli şarj cihazları ile şarj  
edin. Başka sistemli aküleri şarj etmeyin.

Şarj cihazının kartuş akü yuvasına hiçbir şekilde metal parçalar  
kaçmamalıdır (kısa devre tehlikesi).

Kartuş aküleri ve şarj cihazını açmayın ve sadece kuru yerlerde  
saklayın. Neme ve ıslanmaya karşı koruyun.

Aşırı zorlanma veya aşırı ısınma sonucu hasar gören kartuş akülerden  
batarya sıvısı dışarı akabilir. Batarya sıvısı ile temasa gelen yeri  
hemen bol su ve sabunla yıkayın. Batarya sıvısı gözünüze kaçacak  
olursa en azından 10 dakika yıkayın ve zaman geçirmeden bir hekime  
başvurun.

### KULLANIM

BS 12G, BS 14G: Bu akülü delme/vidalama makinesi, şebeke akımına  
bağlı kalınmadan delme ve vidalama işlerinde çok yönlü olarak  
kullanılabilir.

BSB 12G, BSB 14G: Bu akülü darbeli matkap şebeke akımından  
bağımsız olarak delme, darbeli delme ve vidalama işlerinde çok yönlü  
olarak kullanılabilir.

Bu alet sadece belirttiği gibi ve usulüne uygun olarak kullanılabilir.

### CE UYGUNLUK BEYANI

Tek sorumlu olarak bu ürünün 2006/42/EC, 2004/108/EC yönetmelik hükümleri uyarınca aşağıdaki normlara ve norm dokümanlarına uygunluğunu beyan ederiz: EN 60745, EN 55014-1, EN 55014-2.



Winnenden, 2011-08-10

Rainer Kumpf

Manager Product Development

Teknik evrakları hazırlamakla görevlendirilmiştir.

### ÇALIŞMA AÇIKLAMALARI

Hız şalterine kesinlikle alet çalışırken basmayın, şaltere sadece alet durduğunda basın.

### AKÜ

Yeni kartuş aküler ancak 4-5 şarj/deşarj işleminden sonra tam kapasitelere ulaşır. Uzun süre kullanılmı dışı kalmış kartuş aküleri kullanmadan önce şarj edin.

50°C üzerindeki sıcaklıklar kartuş akünün performansını düşürür. Akünün güneş ışığı veya mekân sıcaklığı altında uzun süre ısınmamasına dikkat edin.

Şarj cihazı ve kartuş aküdeki bağlantı noktalarını temiz tutun.

### BAKIM

Sadece AEG aksesuarını ve yedek parçalarını kullanın. Değiştirilmesi açıklanmamış olan parçaları bir AEG müşteri servisinde değiştirin (Garanti broşürüne ve müşteri servisi adreslerine dikkat edin).

Gerektiği takdirde aletin dağınık görünüş şeması, alet tipinin ve tip etiketi üzerindeki on hanelik sayının bildirilmesi koşuluyla müşteri servisinde veya doğrudan AEG Electric Tools GmbH, Max-Eyth-Str.-Be 10, D-71364 Winnenden, Germany adresinden istenebilir.

### SEMBOLLER



Lütfen aleti çalıştırmadan önce kullanma kılavuzunu dikkatli biçimde okuyun.



**DIKKAT! UYARI! TEHLİKE!**



Aletin kendinde bir çalışma yapmadan önce kartuş aküyü çıkarın.



Aksesuar - Teslimat kapsamında değildir, önerilen tamamlamalar aksesuar programında.



Elektrikli el aletlerini evdeki çöp kutusuna atmayın! Kullanılmış elektrikli aletleri, elektrik ve elektronikli eski cihazlar hakkındaki 2002/96/EC Avrupa yönerge-lerine göre ve bu yönergeler ulusal hukuk kurallarına göre uyarlanarak, ayrı olarak toplanmalı ve çevre şartlarına uygun bir şekilde tekrar değerlendirilmeye gönderilmelidir.

**Türkçe**

	BS 12G	BS 14G	BSB 12G	BSB 14G
Vrtací Ø v oceli.....	10 mm	10 mm	10 mm	10 mm
Vrtací Ø v oceli (S upínacím pouzdrzem 1,5 - 13 mm) .....	13 mm	13 mm	-	13 mm
Vrtací Ø v dřevě.....	30 mm	32 mm	30 mm	32 mm
Vrtací Ø v dřevě (S upínacím pouzdrzem 1,5 - 13 mm) .....	32 mm	32 mm	-	32 mm
Vrtání Ø v cihle a vápenopískové cihle .....	-	-	6 mm	8 mm
Vruty do dřeva (bez předvrtání) .....	4,2 mm	4,2 mm	4,2 mm	4,2 mm
Počet otáček při běhu naprázdno na 1.st.rychlosti .....	0-350 min <sup>-1</sup>	0-400 min <sup>-1</sup>	0-350 min <sup>-1</sup>	0-400 min <sup>-1</sup>
Počet otáček při běhu naprázdno na 2.st.rychlosti .....	0-1350 min <sup>-1</sup>	0-1400 min <sup>-1</sup>	0-1350 min <sup>-1</sup>	0-1400 min <sup>-1</sup>
Počet otáček při běhu naprázdno na 2.st.rychlosti (Li-Ion).....	-	0-1500 min <sup>-1</sup>	-	0-1500 min <sup>-1</sup>
Počet úderů max .....	-	-	20 250 min <sup>-1</sup>	21 000 min <sup>-1</sup>
Počet úderů max (Li-Ion).....	-	-	-	22 500 min <sup>-1</sup>
Krouticí moment * .....	30 Nm	32 Nm	30 Nm	32 Nm
Krouticí moment * (Li-Ion) .....	-	36 Nm	-	36 Nm
Napětí výměnného akumulátoru .....	12 V	14,4 V	12 V	14,4 V
Rozsah upnutí sklíčidla.....	1-10 mm	1-10 mm	1-10 mm	1-10 mm
Rozsah upnutí sklíčidla.....	-	1,5-13 mm	-	1,5-13 mm
Hmotnost s akumulátorem (1.4 Ah) .....	1,65 kg	1,95 kg	1,8 kg	2,1 kg
Hmotnost s akumulátorem (1.5 Ah Li-Ion) .....	-	1,52 kg	-	1,65 kg

**Informace o hluku / vibracích**

Naměřené hodnoty odpovídají EN 60745.

V třídě A posuzovaná hladina hluku přístroje činí typicky:

Hladina akustického tlaku (K=3dB(A)) .....	90 dB(A)	90 dB(A)	90 dB(A)	90 dB(A)
Hladina akustického výkonu (K=3dB(A)).....	101 dB(A)	101 dB(A)	101 dB(A)	101 dB(A)

**Používejte chrániče sluchu!**

Celkové hodnoty vibrací (vektorový součet tří směrů) zjištěnéve smyslu EN 60745.

Hodnota vibračních emisí a<sub>h</sub>

Vrtání betonu s příklepem.....	-	-	15,6 m/s <sup>2</sup>	13,7 m/s <sup>2</sup>
Kolíšavost K .....	-	-	1,5 m/s <sup>2</sup>	1,5 m/s <sup>2</sup>
Vrtání kovů.....	< 2,5 m/s <sup>2</sup>	< 2,5 m/s <sup>2</sup>	< 2,5 m/s <sup>2</sup>	< 2,5 m/s <sup>2</sup>
Kolíšavost K .....	1,5 m/s <sup>2</sup>	1,5 m/s <sup>2</sup>	1,5 m/s <sup>2</sup>	1,5 m/s <sup>2</sup>
Šroubování .....	< 2,5 m/s <sup>2</sup>	< 2,5 m/s <sup>2</sup>	< 2,5 m/s <sup>2</sup>	< 2,5 m/s <sup>2</sup>
Kolíšavost K .....	1,5 m/s <sup>2</sup>	1,5 m/s <sup>2</sup>	1,5 m/s <sup>2</sup>	1,5 m/s <sup>2</sup>

\* Změřeno podle normy AEG N 877318

**VAROVÁN**

Úroveň chvění uvedená v tomto návodu byla naměřena podle metody měření stanovené normou EN 60745 a může být použita pro porovnání elektrického nářadí. Hodí se také pro průběžný odhad zatížení chvěním.

Uvedená úroveň chvění představuje hlavní účely použití elektrického nářadí. Jestliže se ale elektrické nářadí používá pro jiné účely, s odlišnými nástroji nebo s nedostatečnou údržbou, může se úroveň chvění odlišovat. To může značně zvýšit zatížení chvěním během celé pracovní doby.

Pro přesný odhad zatížení chvěním se musí také zohlednit časy, během kterých je přístroj vypnutý nebo kdy je síce v chodu, ale skutečně se s ním nepracuje. To může zatížení chvěním během celé pracovní doby značně snížit.

Stanovte doplňková bezpečnostní opatření pro ochranu obsluhy před účinky chvění jako například: technická údržba elektrického nářadí a nástrojů, udržování teploty rukou, organizace pracovních procesů.



Čes

**VAROVÁNÍ!** Seznamte se se **všemi bezpečnostními pokyny a sice i s pokyny v příložené brožurě**. Zanedbání při dodržování varovných upozornění a pokynů mohou mít za následek úder elektrickým proudem, požár a/nebo těžká poranění.

**Všechna varovná upozornění a pokyny do budoucna uschovejte.**

### SPECIÁLNÍ BEZPEČNOSTNÍ UPOZORNĚNÍ

**Používejte chrániče sluchu.** Nadměrný hluk může vést ke ztrátě sluchu.

**Při provádění prací, při kterých nástroj může narazit na skryta elektrická vedení nebo na vlastní kabel, držte přístroj za izolované přidržovací plošky.** Kontakt řezného nástroje s vedením pod napětím může vést k přenosu napětí na kovové části přístroje a k úrazu elektrickým proudem.

Při práci se strojem neustále nosit ochranné brýle. Doporučuje se používat ochranné rukavice, pevnou protiskluzovou obuv a zástěru. Prach vznikající při práci s tímto nářadím může být zdraví škodlivý. Proto by neměl přijít do styku s tělem. Používejte při práci vhodnou ochranou masku.

Pokud stroj běží, nesmí být odstraňovány třísky nebo odštěpky.

Při vrtání do zdi, stropu nebo podlahy dávat pozor na elektrické kabely, plynová a vodovodní potrubí.

Před zahájením veškerých prací na vrtacím šroubováků vyjmout výměnný akumulátor.

Použité nevyhazujte do domovního odpadu nebo do ohně. AEG nabízí ekologickou likvidaci starých článků, ptejte se u vašeho obchodníka s nářadím.

Náhradní akumulátor neskladujte s kovovými předměty, nebezpečí zkratu.

Akumulátor systému GBS nabíjejte pouze nabíječkou systému GBS. Nenabíjejte akumulátory jiných systémů.

V nabíjecím postu nabíječky neskladujte kovové předměty, nebezpečí zkratu.

Náhradní akumulátory ani nabíječku neotvírejte, skladujte je v suchu, chraňte před vlhkem.

Při extrémní zátěži či vysoké teplotě může z akumulátoru vytékat kapalina. Při zasažení touto kapalinou okamžitě zasažená místa omyjte vodou a mýdlem. Při zasažení očí okamžitě důkladně po dobu alespoň 10min. omývat a neodkladně vyhledat lékaře.

### OBLAST VYUŽITÍ

BS 12G, BS 14G: Akumulátorový vrtací šroubovák je univerzálně použitelný pro vrtání a šroubování nezávisle na elektrické síti.

BSB 12G, BSB 14G: Akumulátorový příklepový vrtací šroubovák je univerzálně použitelný pro vrtání, příklepové vrtání a šroubování nezávisle na elektrické síti.

Toto zařízení lze používat jen pro uvedený účel.

### CE-PROHLÁŠENÍ O SHODĚ

Se vši zodpovědností prohlašujeme, že tento výrobek odpovídá následujícím normám a normativním dokumentům:\*\*\*EN 60745, EN 55014-1, EN 55014-2 v souladu se směrnici EHS č. 2004/108/EG



Winnenden, 2011-08-10

Rainer Kumpf

Manager Product Development  
Zplnomocněn k sestavování technických podkladů.

### PRACOVNÍ POKYNY

Přepínač rychlosti nepoužívejte nikdy při zapnutém stroji, nýbrž pouze v klidovém stavu.

### AKUMULÁTORY

Nový akumulátor dosáhne plné kapacity po 4 - 5 nabíjecích cyklech. Déle nepoužívané akumulátory je nutné před použitím znovu nabít.

Teplota přes 50°C snižuje výkon akumulátoru. Chraňte před dlouhým přehříváním na slunci či u topení.

Kontakty nabíječky a akumulátoru udržujte v čistotě.

### ÚDRŽBA

Používejte výhradně náhradní díly a příslušenství AEG. Díly, jejichž výměna nebyla popsána, nechávejte vyměnit v odborném servisu AEG. (Viz záruční list.)

Při potřebě podrobného rozkresu konstrukce, oslovte informaci o typu a desetimístném objednacím čísle přímo servis a nebo výrobce, AEG Electric Tools GmbH, Max-Eyth-Straße 10, D-71364 Winnenden, Germany.

### SYMBOLY



Před spuštěním stroje si pečlivě přečtěte návod k používání.



POZOR! VAROVÁNÍ! NEBEZPEČÍ!



Před zahájením veškerých prací na vrtacím šroubováků vyjmout výměnný akumulátor.



Příslušenství není součástí dodávky, viz program příslušenství.



Elektrické nářadí nevyhazujte do komunálního odpadu! Podle evropské směrnice 2002/96/EC o nakládání s použitými elektrickými a elektronickými zařízeními a odpovídajících ustanovení právních předpisů jednotlivých zemí se použitá elektrická nářadí musí sbírat odděleně od ostatního odpadu a podrobit ekologicky šetrnému recyklování.

Česky

	BS 12G	BS 14G	BSB 12G	BSB 14G
Priemer vrtu do ocele.....	10 mm	10 mm	10 mm	10 mm
Priemer vrtu do ocele (s upínadlom vŕtáka 1,5 - 13 mm).....	-	13 mm	-	13 mm
Priemer vrtu do dreva .....	30 mm	32 mm	30 mm	32 mm
Priemer vrtu do dreva (s upínadlom vŕtáka 1,5 - 13 mm) .....	-	32 mm	-	32 mm
Priemer vrtu do tehly a vápencového pieskovca .....	-	-	6 mm	8 mm
Skrutkovanie do dreva (bez predvrtu) .....	4,2 mm	4,2 mm	4,2 mm	4,2 mm
Otáčky naprázdno v 1. prevodovom stupni.....	0-350 min <sup>-1</sup>	0-400 min <sup>-1</sup>	0-350 min <sup>-1</sup>	0-400 min <sup>-1</sup>
Otáčky naprázdno v 2. prevodovom stupni.....	0-1350 min <sup>-1</sup>	0-1400 min <sup>-1</sup>	0-1350 min <sup>-1</sup>	0-1400 min <sup>-1</sup>
Otáčky naprázdno v 2. prevodovom stupni (Li-Ion).....	-	0-1500 min <sup>-1</sup>	-	0-1500 min <sup>-1</sup>
Max. počet úderov pri zátazi .....	-	-	20 250 min <sup>-1</sup>	21 000 min <sup>-1</sup>
Max. počet úderov pri zátazi (Li-Ion).....	-	-	-	22 500 min <sup>-1</sup>
Točivý moment * .....	30 Nm	32 Nm	30 Nm	32 Nm
Točivý moment * (Li-Ion) .....	-	36 Nm	-	36 Nm
Napätie výmenného akumulátora.....	12 V	14,4 V	12 V	14,4 V
Upínací rozsah skľúčovadla.....	1-10 mm	1-10 mm	1-10 mm	1-10 mm
Upínací rozsah skľúčovadla.....	-	1,5-13 mm	-	1,5-13 mm
Hmotnosť s akumulátorom (1.4 Ah) .....	1,65 kg	1,95 kg	1,8 kg	2,1 kg
Hmotnosť s akumulátorom (1.5 Ah Li-Ion) .....	-	1,52 kg	-	1,65 kg

### Informácia o hluku / vibráciách

Namerané hodnoty určené v súlade s EN 60 745.

V triede A posudzovaná hladina hluku prístroja číni typicky:

Hladina akustického tlaku (K=3dB(A)) .....	90 dB(A)	90 dB(A)	90 dB(A)	90 dB(A)
Hladina akustického výkonu (K=3dB(A)).....	101 dB(A)	101 dB(A)	101 dB(A)	101 dB(A)

### Používajte ochranu sluchu!

Celkové hodnoty vibrácií (vektorový súčet troch smerov) zistených zmysle EN 60745.

Hodnota vibračných emisií a<sub>h</sub>

Vŕtanie betónu s príklepom .....	-	-	15,6 m/s <sup>2</sup>	13,7 m/s <sup>2</sup>
Kolíšavosť K .....	-	-	1,5 m/s <sup>2</sup>	1,5 m/s <sup>2</sup>
Vŕtanie kovov .....	< 2,5 m/s <sup>2</sup>	< 2,5 m/s <sup>2</sup>	< 2,5 m/s <sup>2</sup>	< 2,5 m/s <sup>2</sup>
Kolíšavosť K .....	1,5 m/s <sup>2</sup>	1,5 m/s <sup>2</sup>	1,5 m/s <sup>2</sup>	1,5 m/s <sup>2</sup>
Skrutkovanie .....	< 2,5 m/s <sup>2</sup>	< 2,5 m/s <sup>2</sup>	< 2,5 m/s <sup>2</sup>	< 2,5 m/s <sup>2</sup>
Kolíšavosť K .....	1,5 m/s <sup>2</sup>	1,5 m/s <sup>2</sup>	1,5 m/s <sup>2</sup>	1,5 m/s <sup>2</sup>

\* Merané podľa AEG normy N 877318

### POZOR

Úroveň vibrácií uvedená v týchto pokynoch bola nameraná meracou metódou, ktorú stanovuje norma EN 60745 a je možné ju použiť na vzájomné porovnanie elektrického náradia. Hodí sa aj na predbežné posúdenie kmitavého namáhania.

Uvedená úroveň vibrácií reprezentuje hlavné aplikácie elektrického náradia. Ak sa však elektrické náradie používa pre iné aplikácie, s odlišnými vloženími nástrojmi alebo s nedostatočnou údržbou, môže sa úroveň vibrácií líšiť. Toto môže kmitavé namáhanie v priebehu celej pracovnej doby podstatne zvýšiť.

Pre presný odhad kmitavého namáhania by sa mali tiež zohľadniť doby, v ktorých je náradie vypnuté alebo je síce v chode, ale v skutočnosti sa nepoužíva. Toto môže kmitavé namáhanie v priebehu celej pracovnej doby zreteľne redukovať.

Stanovte dodatočné bezpečnostné opatrenia pre ochranu obsluhy pred účinkami vibrácií, ako napríklad: údržba elektrického náradia a vložení nástrojov, udržiavanie teploty rúk, organizácia pracovných postupov.



Slov



**⚠ POZOR!** Zoznámte sa so všetkými bezpečnostnými pokynmi a síce aj s pokynmi v priloženej brožúre. Zanedbanie dodržiavania Výstražných upozornení a pokynov uvedených v nasledujúcom texte môže mať za následok zásah elektrickým prúdom, spôsobiť požiar a/alebo ťažké poranenie.

**Tieto Výstražné upozornenia a bezpečnostné pokyny starostlivo uschovajte na budúce použitie.**

### ŠPECIÁLNE BEZPEČNOSTNÉ POKYNY

**Používajte ochranu sluchu.** Nadmerný hluk môže viesť k strate sluchu.

**Pri realizovaní prác, pri ktorých nástroj môže naraziť na skryté elektrické vedenia alebo na vlastný kábel, držte prístroj za izolované prídružovacie plošky.** Kontakt rezného nástroja s vedením pod napätím môže viesť k prenosu napätia na kovové časti prístroja a k úrazu elektrickým prúdom.

Pri práci so strojom vždy noste ochranné okuliare. Odporúčame ochranné rukavice, pevnú protišmykovú obuv a zásteru.

Prach vznikajúci pri práci môže byť škodlivý zdraviu. Pri práci nosiť vhodnú ochrannú masku, aby sa nedostal do ľudského organizmu.

Triesky alebo úlomky sa nesmú odstraňovať za chodu stroja.

Pri práci v stene, strope alebo v podlahe dávajte pozor na elektrické káble, plynové a vodovodné potrubia.

Pred každou prácou na stroji výmenný akumulátor vytiahnuť.

Opotrebované výmenné akumulátory nezhadzujte do ohňa alebo medzi domový odpad. AEG ponúka likvidáciu starých výmenných akumulátorov, ktorá je v súlade s ochranou životného prostredia; informujte sa u Vášho predajcu.

Výmenné akumulátory neskladovať spolu s kovovými predmetmi (nebezpečenstvo skratu).

Výmenné akumulátory systému GBS nabíjať len nabíjacími zariadeniami systému GBS. Akumulátory iných systémov týmto zariadením nenabíjať.

Do zasúvacieho otvoru pre výmenné akumulátory na nabíjacom zariadení, sa nesmú dostať žiadne kovové predmety (nebezpečenstvo skratu).

Výmenné akumulátory a nabíjacie zariadenia neotvárať a skladovať len v suchých priestoroch. Chrániť pred vlhkosťou.

Pri extrémnych záťažach alebo extrémnych teplotách môže dôjsť k vytekaniu batérovej tekutiny z poškodeného výmenného akumulátora. Ak dôjde ku kontaktu pokožky s roztokom, postihnuté miesto umyť vodou s mydlom. Ak sa roztok dostane do očí, okamžite ich dôkladne vypláchnuť po dobu min. 10 min a bezodkladne vyhľadať lekára.

### POUŽITIE PODĽA PREDPISOV

BS 12G, BS 14G: AKU-vrtací skrutkovač je univerzálne použiteľný na vŕtanie a skrútkovanie nezávisle od sieťovej prípojky.

BSB 12G, BSB 14G: Akumulátorová príklepová vrtací skrutkovač je univerzálne použiteľný na vŕtanie, príklepové vŕtanie a skrútkovanie nezávisle od sieťovej prípojky.

Tento prístroj sa smie používať len v súlade s uvedenými predpismi.

### CE - VYHLÁSENIE KONFORMITY

Vyhlasujeme v našej výhradnej zodpovednosti, že tento produkt zodpovedá nasledovným normám alebo normatívnym dokumentom. EN 60745, EN 55014-1, EN 55014-2, podľa predpisov smerníc 2006/42/EC, 2004/108/EC.



Winnenden, 2011-08-10

Rainer Kumpf

Manager Product Development  
Splnomocnený zostaviť technické podklady.

### NAPOTKI ZA DELO

Nikdy neprepínať rýchlosť, keď je skrutkovač v behu. Rýchlosť nastaviť, len keď je skrutkovač vypnutý.

### AKUMULÁTORY

Nové výmenné akumulátory dosiahnu svoju maximálnu kapacitu po 4-5 nabitách a vybitiach. Dlhší čas nepoužívané výmenné akumulátory pred použitím dobiť.

Teplota vyššia ako 50°C znižuje výkon výmenného akumulátora. Zabráňte dlhšiemu ohriatiu slnkom alebo kúrením.

Prípadné kontakty na nabíjacom zariadení a výmennom akumulátore udržiavať čisté.

### ÚDRZBA

Používať len AEG príslušenstvo a náhradné diely. Súčiastky bez návodu na výmenu treba dať vymeniť v jednom z AEG zákaznických centier (viď brožúru Záruka/Adresy zákaznických centier).

Pri udaní typu stroja a desaťmiestneho čísla nachádzajúceho sa na štítku dá sa v prípade potreby vyžiadať explozívna schéma prístroja od Vášho zákaznického centra alebo priamo v AEG Electric Tools GmbH, Max-Eyth-Strasse 10, D-71364 Winnenden, Germany.

### SYMBOLY



Pred prvým použitím prístroja si pozorne prečítajte návod na obsluhu.



POZOR! NEBEZPEČENSTVO!



Pred každou prácou na stroji výmenný akumulátor vytiahnuť.



Príslušenstvo - nie je súčasťou štandardnej výbavy, odporúčané doplnenie z programu príslušenstva.



Elektrické náradie nevyhadzujte do komunálneho odpadu! Podľa európskej smernice 2002/96/ES o nakladaní s použitými elektrickými a elektronickými zariadeniami a zodpovedajúcich ustanovení právnych predpisov jednotlivých krajín sa použité elektrické náradie musí zbierať oddelene od ostatného odpadu a podrobiť ekologicky šetrnej recyklácii.

Slovensky

	BS 12G	BS 14G	BSB 12G	BSB 14G
Zdolność wiercenia w stali .....	10 mm	10 mm	10 mm	10 mm
Zdolność wiercenia w stali (z uchwytem wiertarskim 1,5 - 13 mm) .....	-	13 mm	-	13 mm
Zdolność wiercenia w drewnie .....	30 mm	32 mm	30 mm	32 mm
Zdolność wiercenia w drewnie (z uchwytem wiertarskim 1,5 - 13 mm) ..	-	32 mm	-	32 mm
Zdolność wiercenia w cegła i płytki ceramiczne .....	-	-	6 mm	8 mm
Wkręty do drewna (bez nawiercania wstępnego) .....	4,2 mm	4,2 mm	4,2 mm	4,2 mm
Prędkość bez obciążenia na pierwszym biegu .....	0-350 min <sup>-1</sup>	0-400 min <sup>-1</sup>	0-350 min <sup>-1</sup>	0-400 min <sup>-1</sup>
Prędkość bez obciążenia drugi bieg .....	0-1350 min <sup>-1</sup>	0-1400 min <sup>-1</sup>	0-1350 min <sup>-1</sup>	0-1400 min <sup>-1</sup>
Prędkość bez obciążenia drugi bieg (Li-Ion) .....	-	0-1500 min <sup>-1</sup>	-	0-1500 min <sup>-1</sup>
Częstotliwość udaru przy obciążeniu maks. ....	-	-	20 250 min <sup>-1</sup>	21 000 min <sup>-1</sup>
Częstotliwość udaru przy obciążeniu maks. (Li-Ion) .....	-	-	-	22 500 min <sup>-1</sup>
Moment obrotowy * .....	30 Nm	32 Nm	30 Nm	32 Nm
Moment obrotowy * (Li-Ion) .....	-	36 Nm	-	36 Nm
Napięcie baterii akumulatorowej .....	12 V	14,4 V	12 V	14,4 V
Zakres otwarcia uchwyty wiertarskiego .....	1-10 mm	1-10 mm	1-10 mm	1-10 mm
Zakres otwarcia uchwyty wiertarskiego .....	-	1,5-13 mm	-	1,5-13 mm
Ciężar z akumulatorem (1.4 Ah) .....	1,65 kg	1,95 kg	1,8 kg	2,1 kg
Ciężar z akumulatorem (1.5 Ah Li-Ion) .....	-	1,52 kg	-	1,65 kg

### Informacja dotycząca szumów/wibracji

Zmierzone wartości wyznaczono zgodnie z normą EN 60745.

Poziom szumów urządzenia oszacowany jako A wynosi typowo:

Poziom ciśnienia akustycznego (K=3dB(A)).....90 dB(A).....90 dB(A).....90 dB(A).....90 dB(A)

Poziom mocy akustycznej (K=3dB(A)).....101 dB(A).....101 dB(A).....101 dB(A).....101 dB(A)

### Należy używać ochroniaczy uszu!

Wartości łączne drgań (suma wektorowa trzech kierunków) wyznaczone zgodnie z normą EN 60745

Wartości emisji drgań a<sub>h</sub>

Wiercenie udarowe w betonie .....	-	-	15,6 m/s <sup>2</sup>	13,7 m/s <sup>2</sup>
Niepewność K.....	-	-	1,5 m/s <sup>2</sup>	1,5 m/s <sup>2</sup>
Wiercenie w metalu.....	< 2,5 m/s <sup>2</sup>	< 2,5 m/s <sup>2</sup>	< 2,5 m/s <sup>2</sup>	< 2,5 m/s <sup>2</sup>
Niepewność K.....	1,5 m/s <sup>2</sup>	1,5 m/s <sup>2</sup>	1,5 m/s <sup>2</sup>	1,5 m/s <sup>2</sup>
Przykręcanie.....	< 2,5 m/s <sup>2</sup>	< 2,5 m/s <sup>2</sup>	< 2,5 m/s <sup>2</sup>	< 2,5 m/s <sup>2</sup>
Niepewność K.....	1,5 m/s <sup>2</sup>	1,5 m/s <sup>2</sup>	1,5 m/s <sup>2</sup>	1,5 m/s <sup>2</sup>

\* Zmierzone zgodnie z normą AEG N 877318

### OSTRZEŻENIE

Podany w niniejszych instrukcjach poziom drgań został zmierzony za pomocą metody pomiarowej zgodnej z normą EN 60745 i może być użyty do porównania ze sobą elektronarzędzi. Nadaje się on również do tymczasowej oceny obciążenia wibracyjnego.

Podany poziom drgań reprezentuje główne zastosowania elektronarzędzia. Jeśli jednakże elektronarzędzie użyte zostanie do innych celów z innymi narzędziami roboczymi lub nie jest dostatecznie konserwowane, wtedy poziom drgań może wykazywać odchylenia. Może to wyraźnie zwiększyć obciążenie wibracjami przez cały okres pracy.

Dla dokładnego określenia obciążenia wibracjami należy uwzględnić również czasy, w których urządzenie jest wyłączone względnie jest włączone, lecz w rzeczywistości nie pracuje. Może to spowodować wyraźną redukcję obciążenia wibracyjnego w całym okresie pracy.

Należy wprowadzić dodatkowe środki zapobiegawcze celem ochrony obsługującego przed oddziaływaniem drgań, jak na przykład: konserwacja narzędzi roboczych i elektronarzędzi, nagrzanie rąk, organizacja przebiegu pracy.



Pol

**⚠ OSTRZEŻENIE!** Prosimy o przeczytanie wskazówek bezpieczeństwa i zaleceń, również tych, które zawarte są w załączonej broszurze. Błędy w przestrzeganiu poniższych wskazówek mogą spowodować porażenie prądem, pożar i/lub ciężkie obrażenia ciała.

**Należy starannie przechowywać wszystkie przepisy i wskazówki bezpieczeństwa dla dalszego zastosowania.**

### INSTRUKCJE DOTYCZĄCE BEZPIECZEŃSTWA

**Stosować środki ochrony słuchu!** Hałas może powodować utratę słuchu.

**Trzymaj urządzenie za izolowane powierzchnie chwytne gdy wykonujesz roboty, w trakcie których narzędzie skrawające może natrafić na ukryte przewody prądowe lub na własny kabel.** Styczność narzędzia skrawającego z będącym pod napięciem przewodem może spowodować podłączenie części metalowych urządzenia do napięcia i prowadzić do porażenia prądem elektrycznym.

Podczas pracy należy zawsze nosić okulary ochronne. Zalecane jest także noszenie rękawic, mocnego, nie ślizgającego się obuwia oraz ubrania roboczego.

Kurz powstający przy pracy z tym elektronarzędziem może być szkodliwy dla zdrowia, w związku z tym nie powinien dotrzeć do ciała. Nosić odpowiednią maskę przeciwpyłową.

Podczas pracy elektronarzędzia nie wolno usuwać trocin ani drzazg.

Podczas pracy przy ścianach, sufitach i podłodze należy uważać na kable elektryczne, przewody gazowe i wodociągowe.

Przed przystąpieniem do jakichkolwiek prac na elektronarzędziu należy wyjąć wkładkę akumulatorową.

Zużytych akumulatorów nie wolno wrzucać do ognia ani traktować jako odpadów domowych. AEG oferuje ekologiczną utylizację zużytych akumulatorów.

Nie przechowywać akumulatorów wraz z przedmiotami metalowymi (niebezpieczeństwo zwarcia).

Akumulatory Systemu GBS należy ładować wyłącznie przy pomocy ładowarek Systemu GBS. Nie ładować przy pomocy tych ładowarek akumulatorów innych systemów.

Do ładowarki nie wolno wkładać żadnych przedmiotów metalowych (niebezpieczeństwo zwarcia).

Nie otwierać wkładek akumulatorowych i ładowarek. Przechowywać w suchych pomieszczeniach. Chronić przed wilgocią.

W skrajnych warunkach temperaturowych lub przy bardzo dużym obciążeniu może dochodzić do wycieku kwasu akumulatorowego z uszkodzonych baterii akumulatorowych. W przypadku kontaktu z kwasem akumulatorowym należy natychmiast przemyć miejsce kontaktu wodą z mydłem. W przypadku kontaktu z oczami należy dokładnie przepłukiwać oczy przynajmniej przez 10 minut i zwrócić się natychmiast o pomoc medyczną.

### WARUNKI UŻYTKOWANIA

BS 12G, BS 14G: Uniwersalna wiertarko- wkrętarka akumulatorowa przeznaczona jest do wiercenia i wkręcania z dala od źródła zasilania sieciowego.

BSB 12G, BSB 14G: Akumulatorowa wiertarka udarowa/wkrętarka przeznaczona jest do wiercenia, wiercenia udarowego, a także wkręcania przy pracy z dala od źródła zasilania sieciowego.

Produkt można użytkować wyłącznie zgodnie z jego normalnym przeznaczeniem.

### DEKLARACJA ZGODNOŚCI CE

Oświadczamy z pełną odpowiedzialnością, że produkt ten odpowiada wymaganiom następujących norm i dokumentów normatywnych EN 60745, EN 55014-1, EN 55014-2, i jest zgodny z wymaganiami dyrektyw 2006/42/WE, 2004/108/WE



*Rainer Kumpf*

Rainer Kumpf

Winnenden, 2011-08-10

Manager Product Development  
Upewnomocniony do zestawienia danych technicznych

### WSKAZÓWKI DOTYCZĄCE UŻYTKOWANIA

Nigdy nie naciskać przełącznika zmiany biegów przy włączonej maszynie, lecz tylko w stanie zatrzymanym maszyny.

### BATERIE AKUMULATOROWE

Nowe baterie akumulatorowe osiągają swoją pełną pojemność po 4 - 5 cyklach ładowania i rozładowywania. Akumulatory, które nie były przez dłuższy czas użytkowane, należy przed użyciem naładować.

W temperaturze powyżej 50°C następuje spadek osiągniętych wkładki akumulatorowej. Unikaj długotrwałego wystawienia na oddziaływanie ciepła lub promieni słonecznych (niebezpieczeństwo przegrzania).

Styki ładowarek i wkładek akumulatorowych należy utrzymywać w czystości

### UTRZYMANIE I KONSERWACJA

Należy stosować wyłącznie wyposażenie dodatkowe i części zamiennne AEG. W przypadku konieczności wymiany części, dla których nie podano opisu, należy skontaktować się z przedstawicielami serwisu AEG (patrz lista punktów obsługi gwarancyjnej/serwisowej).

Na życzenie można otrzymać rysunek widoku zespołu rozebranego. Przy zamawianiu należy podać dziesięciocyfrowy numer oraz typ elektronarzędzia umieszczony na tabliczce znamionowej. Zamówienia można dokonać albo u lokalnych przedstawicieli serwisu, albo bezpośrednio w AEG Electric Tools GmbH, Max-Eyth-Straße 10, D-71364 Winnenden, Germany.

### SYMBOLE



Przed uruchomieniem elektronarzędzia zapoznać się uważnie z treścią instrukcji.



**UWAGA! OSTRZEŻENIE NIEBEZPIECZEŃSTWO!**



Przed przystąpieniem do jakichkolwiek prac na elektronarzędziu należy wyjąć wkładkę akumulatorową.



Wyposażenie dodatkowe dostępne osobno.



Nie wyrzucaj elektronarzędzi wraz z odpadami z gospodarstwa domowego! Zgodnie z Europejską Dyrektywą 2002/96/WE w sprawie zużytego sprzętu elektrotechnicznego i elektrycznego oraz dostosowaniem jej do prawa krajowego, zużyte elektronarzędzia należy posegregować i zutylizować w sposób przyjazny dla środowiska.

Polski

	BS 12G	BS 14G	BSB 12G	BSB 14G
Furat- $\emptyset$ acélba.....	10 mm	10 mm	10 mm	10 mm
Furat- $\emptyset$ acélba (fúrótokmánnal 1,5 - 13 mm).....	13 mm	13 mm	-	13 mm
Furat- $\emptyset$ fába.....	30 mm	32 mm	30 mm	32 mm
Furat- $\emptyset$ fába (fúrótokmánnal 1,5 - 13 mm).....	32 mm	32 mm	-	32 mm
Furat- $\emptyset$ téglába és mészkőbe.....	-	-	6 mm	8 mm
Facsvár (előfúrás nélkül).....	4,2 mm	4,2 mm	4,2 mm	4,2 mm
Üresjárat fordulatszám 1. sebességben.....	0-350 min <sup>-1</sup>	0-400 min <sup>-1</sup>	0-350 min <sup>-1</sup>	0-400 min <sup>-1</sup>
Üresjárat fordulatszám 2. fokozatban.....	0-1350 min <sup>-1</sup>	0-1400 min <sup>-1</sup>	0-1350 min <sup>-1</sup>	0-1400 min <sup>-1</sup>
Üresjárat fordulatszám 2. fokozatban (Li-Ion).....	-	0-1500 min <sup>-1</sup>	-	0-1500 min <sup>-1</sup>
Ütésszám terhelés alatt max. ....	-	-	20 250 min <sup>-1</sup>	21 000 min <sup>-1</sup>
Ütésszám terhelés alatt max. (Li-Ion).....	-	-	-	22 500 min <sup>-1</sup>
Forgatónyomaték *.....	30 Nm	32 Nm	30 Nm	32 Nm
Forgatónyomaték * (Li-Ion).....	-	36 Nm	-	36 Nm
Akkumulátor feszültség.....	12 V	14,4 V	12 V	14,4 V
Befogási tartomány.....	1-10 mm	1-10 mm	1-10 mm	1-10 mm
Befogási tartomány.....	-	1,5-13 mm	-	1,5-13 mm
Súly akkuval (1.4 Ah).....	1,65 kg	1,95 kg	1,8 kg	2,1 kg
Súly akkuval (1.5 Ah Li-Ion).....	-	1,52 kg	-	1,65 kg

### Zaj-/Vibráció-információ

A közölt értékek megfelelnek az EN 60 745 szabványnak.

A készülék munkahelyi zajszintje tipikusan:

Hangnyomás szint (K=3dB(A)).....	90 dB(A)	90 dB(A)	90 dB(A)	90 dB(A)
Hangteljesítmény szint (K=3dB(A)).....	101 dB(A)	101 dB(A)	101 dB(A)	101 dB(A)

### Hallásvédő eszköz használata ajánlott!

Összesített rezgésértékek (három irány vektoriális összeg az EN 60745-nek megfelelően meghatározva).

$a_h$  rezgésemisszió érték

Ütvefúrás betonban.....	-	-	15,6 m/s <sup>2</sup>	13,7 m/s <sup>2</sup>
K bizonytalanság.....	-	-	1,5 m/s <sup>2</sup>	1,5 m/s <sup>2</sup>
Fúrás fémbe.....	< 2,5 m/s <sup>2</sup>	< 2,5 m/s <sup>2</sup>	< 2,5 m/s <sup>2</sup>	< 2,5 m/s <sup>2</sup>
K bizonytalanság.....	1,5 m/s <sup>2</sup>	1,5 m/s <sup>2</sup>	1,5 m/s <sup>2</sup>	1,5 m/s <sup>2</sup>
Csavarozás.....	< 2,5 m/s <sup>2</sup>	< 2,5 m/s <sup>2</sup>	< 2,5 m/s <sup>2</sup>	< 2,5 m/s <sup>2</sup>
K bizonytalanság.....	1,5 m/s <sup>2</sup>	1,5 m/s <sup>2</sup>	1,5 m/s <sup>2</sup>	1,5 m/s <sup>2</sup>

\* Az AEG N 877318 szabvány szerint mérve

### FIGYELMEZTETÉS

A jelen utasításokban megadott rezgésszint értéke az EN 60745-ben szabályozott mérési eljárásnak megfelelően került leérésre, és használható elektromos szerszámokkal történő összehasonlításhoz. Az érték alkalmas a rezgésterhelés előzetes megbecslésére is.

A megadott rezgésszint-érték az elektromos szerszám legfőbb alkalmazásait reprezentálja. Ha az elektromos szerszámot azonban más alkalmazásokhoz, eltérő használt szerszámokkal vagy nem elegendő karbantartással használják, a rezgésszint értéke eltérő lehet. Ez jelentősen megnövelheti a rezgésterhelést a munkavégzés teljes időtartama alatt.

A rezgésterhelés pontos megbecsléséhez azokat az időket is figyelembe kell venni, melyekben a készülék lekapcsolódik, vagy ugyan működik, azonban ténylegesen nincs használatban. Ez jelentősen csökkentheti a rezgésterhelést a munkavégzés teljes időtartama alatt.

Határozzon meg további biztonsági intézkedéseket a kezelő védelmére a rezgések hatása ellen, például: az elektromos és a használt szerszámok karbantartásával, a kezek melegen tartásával, a munkafolyamatok megszervezésével.



Mag

**⚠ FIGYELMEZTETÉS!** Olvasson el minden biztonsági útmutatót és utasítást, a mellékelt broszúrában találhatóakat is. A következőkben leírt előírások betartásának elmulasztása áramütésekhez, tűzhöz és/vagy súlyos testi sérülésekhez vezethet.

**Kérjük a későbbi használatra gondosan őrizze meg ezeket az előírásokat.**

### KÜLÖNLEGES BIZTONSÁGI TUDNIVALÓK

**Viseljen hallásvédőt.** A zaj hatása hallásvéstést okozhat.

**A készüléket a szigetelt markolatfelületeket fogva tartsa, ha olyan munkálatokat végez, melyeknél a vágószerszám rejtett elektromos vezetékbe vagy saját vezetékébe ütközhet.**

A vágószerszám feszültségvezető vezetékkel való érintkezésekor a készülék fém részei is feszültség alá kerülhetnek, és elektromos áramütés következhet be.

Munkavégzés közben ajánlatos védőszemüveget viselni. Védőkesztyű, zárt és csúszásmentes cipő, valamint védőkötény használata szintén javasolt.

A munka során keletkező por gyakran egészségre káros, ezért ne kerüljön a szervezetbe\*\*\*Hordjon e célra alkalmas porvédőmaszkot. A munka közben keletkezett forgácsokat, szilánkokat, törmelékét, stb. csak a készülék teljes leállása után szabad a munkaterületről eltávolítani.

Falban, födémbe, aljzatban történő fúrásnál fokozottan ügyelni kell az elektromos-, víz- és gázvezetésekre.

Karbantartás, javítás, tisztítás, stb. előtt az akkumulátort ki kell venni a készülékből.

A használt akkumulátort ne dobja tűzbe vagy a háztartási szemétké. Tájékoztadjon a szakszerű megsemmisítés helyi lehetőségeiről.

Az akkumulátort ne tárolja együtt fém tárgyakkal. (Rövidzárlat veszélye).

Az „GBS” elnevezésű rendszerhez tartozó akkumulátorokat kizárólag a rendszerhez tartozó töltővel töltsse fel. Ne használjon más rendszerbe tartozó töltőt.

Ügyeljen arra, hogy a töltő aknájába ne kerüljön semmilyen fém tárgy, mert ez rövidzárlatot okozhat.

Az akkumulátort, töltőt nem szabad megbontani és kizárólag száraz helyen szabad tárolni. Nedvességtől óvni kell.

Akkumulátor sav folyhat a sérült akkumulátorból extrém terhelés alatt, vagy extrém hő miatt. Ha az akkumulátor sav a bőrére kerül azonnal mossa meg szappanos vízzel. Szembe kerülés esetén folyóvíz alatt tartsa a szemét minimum 10 percig és azonnal forduljon orvoshoz.

### RENDELTESSZERŰ HASZNÁLAT

BS 12G, BS 14G: Az akkumulátoros fúró-csavarozó készülék általánosan használható fúrásához és csavarozáshoz.

BSB 12G, BSB 14G: Az akkumulátoros ütvefúró-csavarozó hálózatától függetlenül általánosan használható fúrásához, ütvefúrásához és csavarozáshoz.

A készüléket kizárólag az alábbiakban leírtaknak megfelelően szabad használni.

### CE-AZONOSSÁGI NYILATKOZAT

Teljes felelősségünk tudatában kijelentjük, hogy jelen termék megfelel a következő szabványoknak vagy szabványossági dokumentumoknak: EN 60745, EN 55014-1, EN 55014-2, a 2006/42/EK, 2004/108/EK irányelvek határozataival egyetértésben.



Winnenden, 2011-08-10

Rainer Kumpf

Manager Product Development  
Műszaki dokumentáció összeállítórsa  
felelőse

### A HASZNÁLATRA VONATKOZÓ ÚTMUTATÁSOK

Ha a gép be van kapcsolva, soha ne használjuk a sebességkapcsolót, az csak leállás után használható.

### AKKUK

Új akkumulátor a teljes kapacitást 4-5 töltési/lemerülési ciklus után éri el. A hosszabb ideig üzemben kívül lévő akkumulátort használat előtt ismételtelen fel kell tölteni.

50°C feletti hőmérsékletnél csökkenhet az akkumulátor teljesítménye. Kerülni kell a túlzottan meleg helyen vagy napon történő hosszabb idejű tárolást.

A töltő és az akkumulátor csatlakozóit mindig tisztán kell tartani.

### KARBANTARTÁS

Javitáshoz, karbantatáshoz kizárólag AEG alkatrészeket és tartozékokat szabad használni. A készülék azon részeinek cseréjét, amit a kezelési útmutató nem engedélyez, kizárólag a javításra feljogosított márkaszerviz végezheti. (Lásd a szervizlistát)

Szükség esetén a készülékek robbantott ábráját – a készülék típusa és tízejegye azonosító száma alapján a területileg illetékes AEG márkaszerviztől vagy közvetlenül a gyártótól (AEG Electric Tools GmbH, Max-Eyth-Straße 10, D-71364 Winnenden, Germany) lehet kérni.

### SZIMBÓLUMOK



Kérjük alaposan olvassa el a tájékoztatót mielőtt a gépet használja.



**FIGYELEM! FIGYELMEZTETÉS! VESZÉLY!**



Karbantartás, javítás, tisztítás, stb. előtt az akkumulátort ki kell venni a készülékből.



Azokat a tartozékokat, amelyek gyárilag nincsenek a készülékhez mellékelve, külön lehet megrendelni.



Az elektromos kéziszerszámokat ne dobja a háztartási szemétké! A használt villamos és elektronikai készülékekről szóló 2002/96/EK irányelv és annak a nemzeti jogba való átültetése szerint az elhasznált elektromos kéziszerszámokat külön kell gyűjteni, és környezetbarát módon újra kell hasznosítani.

	BS 12G	BS 14G	BSB 12G	BSB 14G
Vrtlalni $\emptyset$ v jeklu .....	10 mm	10 mm	10 mm	10 mm
Vrtlalni $\emptyset$ v jeklu (z vrtlalni podlogo 1,5 - 13 mm) .....	-	13 mm	-	13 mm
Vrtlalni $\emptyset$ v lesu .....	30 mm	32 mm	30 mm	32 mm
Vrtlalni $\emptyset$ v lesu (z vrtlalni podlogo 1,5 - 13 mm) .....	-	32 mm	-	32 mm
Vrtlalni $\emptyset$ v opeki in apnenem peščencu .....	-	-	6 mm	8 mm
lesni vijaki (brez predhodnega vrtanja) .....	4,2 mm	4,2 mm	4,2 mm	4,2 mm
Število vrtljajev v prostem teku v 1. prestavi .....	0-350 min <sup>-1</sup>	0-400 min <sup>-1</sup>	0-350 min <sup>-1</sup>	0-400 min <sup>-1</sup>
Število vrtljajev v prostem teku v 2. prestavi .....	0-1350 min <sup>-1</sup>	0-1400 min <sup>-1</sup>	0-1350 min <sup>-1</sup>	0-1400 min <sup>-1</sup>
Število vrtljajev v prostem teku v 2. prestavi (Li-Ion) .....	-	0-1500 min <sup>-1</sup>	-	0-1500 min <sup>-1</sup>
bremensko število udarcev maks. ....	-	-	20 250 min <sup>-1</sup>	21 000 min <sup>-1</sup>
bremensko število udarcev maks. (Li-Ion) .....	-	-	-	22 500 min <sup>-1</sup>
Vrtlilni moment * .....	30 Nm	32 Nm	30 Nm	32 Nm
Vrtlilni moment * (Li-Ion) .....	-	36 Nm	-	36 Nm
Napetost izmenljivega akumulatorja .....	12 V	14,4 V	12 V	14,4 V
Napenjalno področje vpenjalne glave .....	1-10 mm	1-10 mm	1-10 mm	1-10 mm
Napenjalno področje vpenjalne glave .....	-	1,5-13 mm	-	1,5-13 mm
Teža z akumulatorjem (1.4 Ah) .....	1,65 kg	1,95 kg	1,8 kg	2,1 kg
Teža z akumulatorjem (1.5 Ah Li-Ion) .....	-	1,52 kg	-	1,65 kg

### Informacije o hrupnosti/vibracijah

Vrednosti merjenja ugotovljene ustrezno z EN 60 745.

Raven hrupnosti naprave ovrednotena z A, znaša tipično:

Nivo zvočnega tlaka (K=3dB(A)) .....	90 dB(A)	90 dB(A)	90 dB(A)	90 dB(A)
Višina zvočnega tlaka (K=3dB(A)) .....	101 dB(A)	101 dB(A)	101 dB(A)	101 dB(A)

### Nosite zaščito za sluh!

Skupna vibracijska vrednost (Vektorska vsota treh smerdoločena ustrezno EN 60745.

Vibracijska vrednost emisij  $a_h$

Udarno vrtnje v beton .....	-	-	15,6 m/s <sup>2</sup>	13,7 m/s <sup>2</sup>
Nevarnost K .....	-	-	1,5 m/s <sup>2</sup>	1,5 m/s <sup>2</sup>
Vrtnje v kovine .....	< 2,5 m/s <sup>2</sup>	< 2,5 m/s <sup>2</sup>	< 2,5 m/s <sup>2</sup>	< 2,5 m/s <sup>2</sup>
Nevarnost K .....	1,5 m/s <sup>2</sup>	1,5 m/s <sup>2</sup>	1,5 m/s <sup>2</sup>	1,5 m/s <sup>2</sup>
Vijačenje .....	< 2,5 m/s <sup>2</sup>	< 2,5 m/s <sup>2</sup>	< 2,5 m/s <sup>2</sup>	< 2,5 m/s <sup>2</sup>
Nevarnost K .....	1,5 m/s <sup>2</sup>	1,5 m/s <sup>2</sup>	1,5 m/s <sup>2</sup>	1,5 m/s <sup>2</sup>

\* Izmerjeno po AEG normi N 877318

### OPOZORILO

V teh navodilih navedena raven tresljajev je bila izmerjena po EN60745 normiranem merilnem postopku in lahko služi medsebojni primerjavi električnih orodij. Prav tako je primeren za predhodno oceno obremenitve s tresljaji.

Navedena raven tresljajev navaja najpomembnejše vrste rabe električnega orodja. Kadar se električno orodje uporablja za drugačne namene, z odstopajočimi orodji ali pa z nezadostnim vzdrževanjem, lahko raven tresljajev tudi odstopa. Le to lahko čez celoten delovni čas znatno zviša obremenitev s tresenjem.

Za natančno oceno obremenitve s tresljaji naj bi se upošteval tudi čas v katerem je naprava izklopljena ali sicer teče, vendar dejansko ni v rabi. Le to lahko obremenitev s tresljaji čez celoten delovni čas znatno zmanjša.

Za zaščito upravljalca pred učinkom tresljajev uvedite dodatne zaščitne ukrepe npr.: Vzdrževanje električnega orodja in orodja, delo s toplimi rokami, organizacija delovnih potekov.



Slo

**⚠ OPOZORILO!** Preberite vsa varnostna opozorila in navodila, tudi tista v priloženi brošuri. Napake zaradi neupoštevanja spodaj navedenih opozoril in napotil lahko povzročijo električni udar, požar in/ali težke telesne poškodbe.

**Vsa opozorila in napotila shranite, ker jih boste v prihodnje še potrebovali.**

### SPECIALNI VARNOSTNI NAPOTKI

**Nosite zaščito za sluh.** Hrup lahko povzroči izgubo sluha.

**Kadar izvajate dela pri katerih lahko orodje zadane prikrito električno napeljavo ali lasten vodnik, je napravo potrebno držati za izolirane prijemalne površine.** Stik rezalnega orodja z napetostnim vodnikom napeljave lahko privede kovinske dele naprave pod napetost in vodi do električnega udara.

Pri delu s strojem vedno nosite zaščitna očala. Priporočamo zaščitne rokavice, trdno obuvalo, varno proti drsenju ter predpasnik.

Prah, ki nastaja pri delu, je pogosto zdravju škodljiv in naj ne zaide v telo. Nosite ustrezno masko proti prahu.

Trske ali iveri se pri tekočem stroju ne smejo odstranjevati.

Pri delih na steni, stropu ali v tleh pazite na električne kable, plinske in vodne napeljave.

Pred vsemi deli na stroji odstranite izmenljivi akumulator.

Izrabljenih izmenljivih akumulatorjev ne mečite v ogenj ali v gospodinjinske odpadke. AEG nudi okolju prijazno odlaganje starih izmenljivih akumulatorjev; prosimo povprašajte vašega strokovnega trgovca.

Izmenljivih akumulatorjev ne hranite skupaj s kovinskimi predmeti (nevarnost kratkega stika).

Izmenljive akumulatorje sistema GBS polnite samo s polnilnimi aparati sistema GBS. Ne polnite nobenih akumulatorjev iz drugih sistemov.

V odprtino za nameščanje izmenljivih akumulatorjev na polnilnih aparatih ne smejo zaiti nikakršni kovinski deli (nevarnost kratkega stika).

Izmenljivih akumulatorjev in polnilnih aparatov ne odpirajte in jih hranite samo v suhih prostorih. Zaščitite jih pred mokroto.

Pod ekstremno obremenitvijo ali ob ekstremni temperaturi iz poškodovanega izmenljivega akumulatorja lahko izteka akumulatorska tekočina. Po stiku z akumulatorsko tekočino prizadeto mesto takoj izperite z vodo in milom. Po stiku z očmi takoj najmanj 10 minut dolgo temeljito izpirajte in nemudoma obiščite zdravnika.

### UPORABA V SKLADU Z NAMEDBNOSTJO

BS 12G, BS 14G: Akumulatorski vrtalnik – izvijač je univerzalno uporaben za vrtnanje in vijačenje neodvisno od omrežnega priključka.

BSB 12G, BSB 14G: Akumulatorski vrtalnik – izvijač je univerzalno uporaben za vrtnanje, udarno vrtnanje in vijačenje neodvisno od omrežnega priključka.

Ta naprava se sme uporabiti samo v skladu z namembnostjo uporabiti samo za navede namene.

### CE-IZJAVA O KONFORMNOSTI

Z lastno odgovornostjo izjavljamo, da je ta produkt skladen z naslednjimi normami ali normativnimi dokumenti. EN 60745, EN 55014-1, EN 55014-2, v skladu z določili smernic 2006/42/EC, 2004/108/EC.



Winnenden, 2011-08-10

Rainer Kumpf

Manager Product Development  
Pooblaščen za izdelavo spisov tehnične dokumentacije.

### PRACOVNE POKYNY

Stikala za brzine nikoli ne aktivirajte pri vključenem stroju, ampak samo v mirovanju.

### AKUMULATORJI

Novi izmenljivi akumulatorji dosežejo svojo polno kapaciteto po 4 – 5 ciklih polnjenja in praznjenja. Izmenljive akumulatorje, ki jih daljši čas niste uporabljali, pred uporabo naknadno napolnite.

Temperatura nad 50°C zmanjšuje zmogljivost izmenljivega akumulatorja. Izogibajte se daljšemu segrevanju zaradi sončnih žarkov ali gretja.

Pazite, da ostanje priključni kontakti na polnilnem aparatu in izmenljivem akumulatorju čisti.

### VZDRŽEVANJE

Uporabljajte samo AEG pribor in nadomestne dele. Poskrbite, da sestavne dele, katerih zamenjava ni opisana, zamenjajo v AEG servisni službi (upoštevajte brošuro Garancija/Naslovi servisnih služb).

Po potrebi se lahko pri vaši servisni službi ali direktno pri AEG Electric Tools GmbH naroči eksplozijska risba naprave ob navedbi tipa stroja in desetmestne številke s tipske ploščice AEG Electric Tools GmbH, Max-Eyth-Straße 10, D-71364 Winnenden, Germany.

### SIMBOLI



Prosimo, da pred uporabo pazorno preberete to navodilo za uporabo.



POZOR! OPOZORILO! NEVARNO!



Pred vsemi deli na stroji odstranite izmenljivi akumulator.



Oprema – ni vsebovana v obsegu dobave, priporočeno dopolnilo iz programa opreme.



Električnega orodja ne odstranjujte s hišnimi odpadki! V skladu z Evropsko direktivo 2002/96/EC o odpadni elektrini in elektronski opremi in z njenim izvajanjem v nacionalni zakonodaji je treba električna orodja ob koncu njihove življenjske dobe ločeno zbirati in jih predati v postopek okolju prijaznega recikliranja.

	BS 12G	BS 14G	BSB 12G	BSB 14G
Bušenje- $\emptyset$ u čelik.....	10 mm	10 mm	10 mm	10 mm
Bušenje- $\emptyset$ u čelik (sa steznom glavom za svrdlo 1,5 - 13 mm).....	-	13 mm	-	13 mm
Bušenje- $\emptyset$ u drvo.....	30 mm	32 mm	30 mm	32 mm
Bušenje- $\emptyset$ u drvo (sa steznom glavom za svrdlo 1,5 - 13 mm).....	-	32 mm	-	32 mm
Bušenje- $\emptyset$ u opeku i silikatnu opeku.....	-	-	6 mm	8 mm
Vijci za drvo (bez predbušnja).....	4,2 mm	4,2 mm	4,2 mm	4,2 mm
Broj okretaja praznog hoda u 1. Brzini.....	0-350 min <sup>-1</sup>	0-400 min <sup>-1</sup>	0-350 min <sup>-1</sup>	0-400 min <sup>-1</sup>
Broj okretaja praznog hoda u 2. Brzini.....	0-1350 min <sup>-1</sup>	0-1400 min <sup>-1</sup>	0-1350 min <sup>-1</sup>	0-1400 min <sup>-1</sup>
Broj okretaja praznog hoda u 2. Brzini (Li-Ion).....	-	0-1500 min <sup>-1</sup>	-	0-1500 min <sup>-1</sup>
Maksimalan broj udaraca pod opterećenjem.....	-	-	20 250 min <sup>-1</sup>	21 000 min <sup>-1</sup>
Maksimalan broj udaraca pod opterećenjem (Li-Ion).....	-	-	-	22 500 min <sup>-1</sup>
Okretni moment *.....	30 Nm	32 Nm	30 Nm	32 Nm
Okretni moment * (Li-Ion).....	-	36 Nm	-	36 Nm
Napon baterije za zamjenu.....	12 V	14,4 V	12 V	14,4 V
Područje stezne glave za stezanje svrdla.....	1-10 mm	1-10 mm	1-10 mm	1-10 mm
Područje stezne glave za stezanje svrdla.....	-	1,5-13 mm	-	1,5-13 mm
Težina sa baterijom (1.4 Ah).....	1,65 kg	1,95 kg	1,8 kg	2,1 kg
Težina sa baterijom (1.5 Ah Li-Ion).....	-	1,52 kg	-	1,65 kg

### Informacije o buci/vibracijama

Mjerne vrijednosti utvrđene odgovarajuće EN 60745.

A-ocijenjeni nivo buke aparata iznosi tipično:

nivo pritiska zvuka (K=3dB(A)).....	90 dB(A)	90 dB(A)	90 dB(A)	90 dB(A)
nivo učinka zvuka (K=3dB(A)).....	101 dB(A)	101 dB(A)	101 dB(A)	101 dB(A)

### Nositi zaštitu sluha!

Ukupne vrijednosti vibracije (Vektor suma tri smjersu odmjerene odgovarajuće EN 60745

Vrijednost emisije vibracije  $a_h$

Udarno bušenje u betonu.....	-	-	15,6 m/s <sup>2</sup>	13,7 m/s <sup>2</sup>
Nesigurnost K.....	-	-	1,5 m/s <sup>2</sup>	1,5 m/s <sup>2</sup>
Bušenje metala.....	< 2,5 m/s <sup>2</sup>	< 2,5 m/s <sup>2</sup>	< 2,5 m/s <sup>2</sup>	< 2,5 m/s <sup>2</sup>
Nesigurnost K.....	1,5 m/s <sup>2</sup>	1,5 m/s <sup>2</sup>	1,5 m/s <sup>2</sup>	1,5 m/s <sup>2</sup>
Vijičanje.....	< 2,5 m/s <sup>2</sup>	< 2,5 m/s <sup>2</sup>	< 2,5 m/s <sup>2</sup>	< 2,5 m/s <sup>2</sup>
Nesigurnost K.....	1,5 m/s <sup>2</sup>	1,5 m/s <sup>2</sup>	1,5 m/s <sup>2</sup>	1,5 m/s <sup>2</sup>

\* Mjereno po AEG normi N 877318

### UPOZORENIE

Ova u ovim uputama navedena razina titranja je bila izmjerena odgovarajuće jednom u EN 60745 normiranom mjernom postupku i može se upotrijebiti za usporedbu električnog alata međusobno. Ona je prikladna i za privremenu procjenu titrajnog opterećenja.

Navedena razina titranja reprezentira glavne primjene električnog alata. Ukoliko se električni alat upotrebljava u druge svrhe sa odstupajućim primijenjenim alatima ili nedovoljnim održavanjem, onda razina titranja može odstupati. To može titrajno opterećenje kroz cijeli period rada bitno povišiti.

Za točnu procjenu titrajnog opterećenja se moraju uzeti u obzir i vremena u kojima je uređaj isključen ili u kojima doduše radi, ali nije i stvarno u upotrebi. To može titrajno opterećenje bitno smanjiti za vrijeme cijelog radnog perioda.

Utvrđite dodatne sigurnosne mjere za zaštitu poslužioca protiv djelovanja titranja kao npr.: Održavanje električnih alata i upotrebljenih alata, održavanje topline ruku, organizacija i radne postupke.



Hrv



**⚠ UPOZORENIE! Pročitajte sigurnosne upute i uputnice, isto i one iz priložene brošure.** Ako se ne bi poštivale napomene o sigurnosti i upute to bi moglo uzrokovati strujni udar, požar i/ili teške ozljede.

**Sačuvajte sve napomene o sigurnosti i upute za buduću primjenu.**

### SPECIJALNE SIGURNOSNE UPUTE

**Nosite zaštitu za sluh.** Djelovanje buke može uzrokovati gubitak sluha.

**Držite spravu na izoliranim držačkim površinama kada izvodite radove kod kojih rezački alat može pogoditi skrivene vodove struje ili osobni kabel.** Kontakt rezačkog alata sa vodovima koji sprovode naponom može metalne dijelove sprave dovesti pod napon i tako dovesti do električnog udara.

Kod radova sa strojem uvijek nositi zaštitne naočale. Zaštitne rukavice, čvrste i protiv klizanja sigurne cipele kao i pregača se preporučuju.

Prašina koja nastaje prilikom rada je često nezdrava i ne bi smijela dospjeti u tijelo. Nositi prikladnu zaštitnu masku protiv prašine.

Piljevina ili iverje se za vrijeme rada stroja ne smiju odstranjivati. AEG radova na zidu, stropu ili podu paziti na električne kablove kao i vodove plina i vode.

Prije svih radova na stroju izvaditi bateriju za zamjenu.

Istrošene baterije za zamjenu ne bacati u vatru ili u kućno smeće. AEG nudi mogućnost uklanjanja starih baterija odgovarajuće okolini; upitajte molimo Vašeg stručnog trgovca.

Baterije za zamjenu ne čuvati skupa sa metalnim predmetima (opasnost od kratkog spoja).

Baterije sistema GBS puniti samo sa uređajem za punjenje sistema GBS. Ne puniti baterije iz drugih sistema.

U prostor za punjenje baterija u uređaju za punjenje ne smiju dospijeti metalni dijelovi (opasnost od kratkog spoja).

Baterije za zamjenu i uređaje za punjenje ne otvarati i čuvati ih samo u suhim prostorijama. Čuvati protiv vlage.

Pod ekstremnim opterećenjem ili ekstremne temperature može iz oštećenih baterija iscuriti baterijska tekućina. Kod dodira sa baterijskom tekućinom odmah isprati sa vodom i sapunom. Kod kontakta sa očima odmah najmanje 10 minuta temeljno ispirati i odmah potražiti liječnika.

### PROPISNA UPOTREBA

BS 12G, BS 14G: Baterijska bušilica-zavrtač je univerzalno upotrebljiva za bušenje i zavrtnje, neovisno o priključku na mrežu.

BSB 12G, BSB 14G: Baterijska udarna bušilica-zavrtač su upotrebljivi univerzalno za bušenje, udarno bušenje i zavrtnje, neovisno o nekom priključku na mrežu.

Ovaj aparat se smije upotrijebiti samo u određene svrhe kao što je navedeno.

### CE-IZJAVA KONFORMNOSTI

Izjavljujemo na osobnu odgovornost, da se ovaj proizvod slaže sa slijedećim normama ili normativnim dokumentima. EN 60745, EN 55014-1, EN 55014-2, po odredbama smjernica 2006/42/EC, 2004/108/EC.



Winnenden, 2011-08-10

Rainer Kumpf

Manager Product Development

Ovlašten za formiranje tehničke dokumentacije.

### RADNE UPUTE

Predbirac brzine nemojte nikada uporabiti uz uključen stroj, nego samo u stanju mirovanja stroja.

### BATERIJE

Nove baterije postižu svoj puni kapacitet nakon 4-5 ciklusa punjenja i pražnjenja. Baterije koje duže vremena nisu korištene, prije upotrebe napuniti.

Temperatura od preko 50°C smanjuje učinak baterija. Duže zagrijavanje od strane sunca ili grijanja izbjeci.

Priključne kontakte na uređaju za punjenje i baterijama držati čistima.

### ODRŽAVANJE

Primijeniti samo AEG opremu i rezervne dijelove. Sastavne dijelove, čija zamjena nije opisana, dati zamijeniti kod jedne od AEG servisnih službi (poštivati brošuru Garancija/Adrese servisa).

Po potrebi se može zatražiti crtež eksplozije aparata uz davanje podataka o tipu stroja i desetoznamenkastog broja na pločici snage kod Vaše servisne službe ili direktno kod AEG Electric Tools GmbH, Max-Eyth-Straße 10, D-71364 Winnenden, Germany.

### SIMBOLI



Molimo da pažljivo pročitate uputu o upotrebi prije puštanja u rad.



PAŽNJA! UPOZORENIE! OPASNOST!



Prije svih radova na stroju izvaditi bateriju za zamjenu.



Oprema - u opsegu isporuke nije sadržana, preporučena dopuna iz promograma opreme.



Elektricne alate ne odlažite u kućne otpatke! Prema Europskoj direktivi 2002/96/EC o starim električnim i elektroničkim strojevima ipreuzimanju u nacionalno pravo moraju se istrošeni električni alati sakupljati odvojeno i odvesti u pogon za reciklažu.



	BS 12G	BS 14G	BSB 12G	BSB 14G
Urbšanas diametrs tēraudā .....	10 mm	10 mm	10 mm	10 mm
Urbšanas diametrs tēraudā (ar urbja patronu 1,5 - 13 mm) .....	-	13 mm	-	13 mm
Urbšanas diametrs kokā .....	30 mm	32 mm	30 mm	32 mm
Urbšanas diametrs kokā (ar urbja patronu 1,5 - 13 mm) .....	-	32 mm	-	32 mm
Urbšanas diametrs ķieģeļos un kalksmilšakmeņi .....	-	-	6 mm	8 mm
Koka skrūves (bez iepriekšējas urbšanas) .....	4,2 mm	4,2 mm	4,2 mm	4,2 mm
Apgriezieni tukšgaitā 1. ātrumā .....	0-350 min <sup>-1</sup>	0-400 min <sup>-1</sup>	0-350 min <sup>-1</sup>	0-400 min <sup>-1</sup>
Apgriezieni tukšgaitā 2. ātrumā .....	0-1350 min <sup>-1</sup>	0-1400 min <sup>-1</sup>	0-1350 min <sup>-1</sup>	0-1400 min <sup>-1</sup>
Apgriezieni tukšgaitā 2. ātrumā (Li-Ion) .....	-	0-1500 min <sup>-1</sup>	-	0-1500 min <sup>-1</sup>
maks. sitienu biežums ar slodzi .....	-	-	20 250 min <sup>-1</sup>	21 000 min <sup>-1</sup>
maks. sitienu biežums ar slodzi (Li-Ion) .....	-	-	-	22 500 min <sup>-1</sup>
Griezies moments * .....	30 Nm	32 Nm	30 Nm	32 Nm
Griezies moments * (Li-Ion) .....	-	36 Nm	-	36 Nm
Akumulatora spriegums .....	12 V	14,4 V	12 V	14,4 V
Urbja stiprinājuma amplitūda .....	1-10 mm	1-10 mm	1-10 mm	1-10 mm
Urbja stiprinājuma amplitūda .....	-	1,5-13 mm	-	1,5-13 mm
Svars ar bateriju (1.4 Ah) .....	1,65 kg	1,95 kg	1,8 kg	2,1 kg
Svars ar bateriju (1.5 Ah Li-Ion) .....	-	1,52 kg	-	1,65 kg

### Trokšņu un vibrāciju informācija

Vērtības, kas noteiktas saskaņā ar EN 60 745.

A novērtētās aparatūras skaņas līmenis ir:

trokšņa spiediena līmenis (K=3dB(A)) .....	90 dB(A)	90 dB(A)	90 dB(A)	90 dB(A)
trokšņa jaudas līmenis (K=3dB(A)) .....	101 dB(A)	101 dB(A)	101 dB(A)	101 dB(A)

### Nesāt trokšņa slāpētāju!

Svārstību kopējā vērtība (Trīs virzienu vektoru summtiek noteikta atbilstoši EN 60745).

svārstību emisijas vērtība  $a_h$

Betona elektriskais urbis .....	-	-	15,6 m/s <sup>2</sup>	13,7 m/s <sup>2</sup>
Nedrošība K .....	-	-	1,5 m/s <sup>2</sup>	1,5 m/s <sup>2</sup>
Metāla urbis .....	< 2,5 m/s <sup>2</sup>	< 2,5 m/s <sup>2</sup>	< 2,5 m/s <sup>2</sup>	< 2,5 m/s <sup>2</sup>
Nedrošība K .....	1,5 m/s <sup>2</sup>	1,5 m/s <sup>2</sup>	1,5 m/s <sup>2</sup>	1,5 m/s <sup>2</sup>
Skrūvēšana .....	< 2,5 m/s <sup>2</sup>	< 2,5 m/s <sup>2</sup>	< 2,5 m/s <sup>2</sup>	< 2,5 m/s <sup>2</sup>
Nedrošība K .....	1,5 m/s <sup>2</sup>	1,5 m/s <sup>2</sup>	1,5 m/s <sup>2</sup>	1,5 m/s <sup>2</sup>

\* Mērīts saskaņā ar firmas AEG normu N 877318

### UZMANĪBU

Instrukcijā norādītā svārstību robežvērtība ir izmērīta mērījumu procesā, kas veikts atbilstoši standartam EN 60745, un to var izmantot elektroinstrumentu savstarpējai salīdzināšanai. Tā ir piemērota arī svārstību noslogojuma pagaidu izvērtēšanai.

Norādītā svārstību robežvērtība ir reprezentatīva elektroinstrumenta pamata pielietojuma jomām. Tomēr, ja elektroinstrumenti tiek pielietoti citās jomās, papildus izmantojot neatbilstošus elektroinstrumentus vai pēc nepietiekamas tehniskās apkopes, tad svārstību robežvērtība var atšķirties. Tas var ievērojami palielināt svārstību noslogojumu visa darba laikā.

Precīzai svārstību noslogojuma noteikšanai, ir jāņem vērā arī laiks, kad ierīces ir izslēgta vai arī ir ieslēgta, tomēr faktiski netiek lietota. Tas var ievērojami samazināt svārstību noslogojumu visa darba laikā.

Integrējiet papildus drošības pasākumus pret svārstību ietekmi lietotājam, piemēram: elektroinstrumentu un darba instrumentu tehniskā apkope, roku siltuma uzturešana, darba procesu organizācija.



Lat

**⚠ UZMANĪBU!** Izlasiet visu drošības instrukciju un lietošanas pamācību klāt pievienotajā bukletā. Šeit sniegto drošības noteikumu un norādījumu neievērošana var izraisīt aizdegšanos un būt par cēloni elektriskajam triecienam vai nopietnam savainojumam.

**Pēc izlasīšanas uzglabājiet šos noteikumus turpmākai izmantošanai.**

### SPECIĀLIE DROŠĪBAS NOTEIKUMI

**Nēsājiet ausu aizsargus.** Trokšņa iedarbība var izraisīt dzirdes zudumu.

**Lerici turiet aiz izolētiem rokturiem, ja veicat darbus, kuros griešanas darbiem izmantojamais instruments var skart paslēptus elektrovadus vai pats savu kabeli.** Šī instrumenta saskare ar strāvu vadošiem kabeļiem var radīt spriegumu arī ierīces metāliskajās daļās un var izraisīt elektrisko triecienu.

Strādājot ar mašīnu, vienmēr jānēsā aizsargbrilles. Tiek ieteikts nēsāt arī aizsargcimdus, slēgtus, neslidošus apavus un priekšautu.

Putekļi, kas rodas darba gaitā, bieži ir kaitīgi veselībai un tiem nevajadzētu nokļūt organismā. Jānēsā piemērota maska, kas pasargā no putekļiem.

Skaidas un atlūzas nedrīkst ņemt ārā, kamēr mašīna darbojas.

Veicot darbus sienā, griestu un grīdas apvidū, vajag uzmanīties, lai nesabojātu elektriskos, gāzes un ūdens vadus.

Pirms mašīnai veikt jebkāda veida apkopes darbus, ir jāizņem ārā akumulators.

Izmantotos akumulārus nedrīkst mest uguni vai parastajos atkritumos. Firma AEG piedāvā iespēju vecos akumulārus savākt apkārtējo vidi saudzējošā veidā; jautājiet specializētā veikalā.

Akumulatorus nav ieteicams glabāt kopā ar metāla priekšmetiem (iespējams īsslēgums).

GBS sistēmas akumulatorus lādēt tikai ar GBS sistēmas lādētājiem. Nedrīkst lādēt citus akumulatorus no citām sistēmām.

Jāuzmanās, lai akumulatoru lādētāja nenokļūtu nekādi metāla priekšmeti (iespējams īsslēgums).

Akumulatorus un lādētājus nedrīkst taisīt vaļā un tie jāuzglabā sausās telpās.

Pie ārkārtas slodzes un ārkārtas temperatūrām no bojātā akumulatora var iztecēt akumulatora šķidrums. Ja nonākat saskarsmē ar akumulatora šķidrumu, saskarsmes vieta nekavējoties jānomazgā ar ūdeni un ziepēm. Ja šķidrums nonācis acīs, acis vismaz 10 min. skalot un nekavējoties konsultēties ar ārstu.

### NOTEIKUMIEM ATBILSTOŠS IZMANTOJUMS

BS 12G, BS 14G: Skrūvgrieznis - Urbjmašīna ar akumulatoriem ir universāli izmantojama urbšanai un skrūvēšanai neatkarīgi no tikla pieslēguma.

BSB 12G, BSB 14G: Triecienuurbjmašīna ar akumulatoriem ir universāli izmantojama urbšanai, urbšanai ar perforāciju un skrūvēšanai neatkarīgi no tikla pieslēguma.

Šo instrumentu drīkst izmantot tikai saskaņā ar minētajiem lietošanas noteikumiem.

### ATBILSTĪBA CE NORMĀM

Ar šo apliecinām, ka esam atbildīgi par to, lai šis produkts atbilstu sekojošām normām vai normatīvajiem dokumentiem: EN 60745, EN 55014-1, EN 55014-2, saskaņā ar direktīvu 2006/42/EK, 2004/108/EK noteikumiem.



Winnenden, 2011-08-10

Rainer Kumpf

Manager Product Development

Pilnvarotais tehnikās dokumentācijas sastādīšana.

### DARBA NORĀDĪJUMI

Ātruma regulatoru nedrīks pārslēgt, kamēr instruments darbojas, bet gan tikai tad, kad tas ir apstādināts.

### AKUMULĀTORI

Jauni akumulatori saņiedz pilnu kapacitāti pēc 4-5 uzlādēšanas un izlādēšanas cikliem. Akumulatori, kas ilgāku laiku nav izmantoti, pirms lietošanas jāuzlādē.

Pie temperatūras, kas pārsniedz 50°C, akumulatoru darbība tiek negatīvi ietekmēta. Vajag izvairīties no ilgākas saules un karstuma iedarbības.

Lādētāja un akumulatoru pievienojuma kontakti jāuztur tīri.

### APKOPE

Izmantojiet tikai firmu AEG piederumus un firmas rezerves daļas. Lieciet nomainīt detaļas, kuru nomaīna nav aprakstīta, kādā no firmu AEG klientu apkalpošanas servisiem. (Skat. brošūru „Garantija/klientu apkalpošanas serviss”).

Ja nepieciešams, klientu apkalpošanas serviss vai tieši pie firmas AEG Electric Tools GmbH, Max-Eyth-Straße 10, D-71364 Winnenden, Germany, var pieprasīt instrumenta eksplozijas zīmējumu, šim nolūkam jāuzrāda mašīnas tips un desmitvietīgais numurs, kas norādīts uz jaudas panela.

### SIMBOLI



Pirms sākt lietot instrumentu, lūdzu, izlasiet lietošanas pamācību.



UZMANĪBU! BĪSTAMI!



Pirms mašīnai veikt jebkāda veida apkopes darbus, ir jāizņem ārā akumulators.



Piederumi - standartapriekojumā neietvertās, bet ieteicamās papildus komplektācijas detaļas no piederumu programmas.



Neizmetiet elektroiekartas sadzīves atkritumos! Saskaņā ar Eiropas Direktīvu 2002/96/EK par lietojamajam lektroiekartam, elektronikas iekartam un tas iekļaušanu valsts likumdošana lietotas ektroiekartas ir jāsavac atsevišķi un jānogada otrreizējai pārstrādei videi draudzīga veida.

Latviski

	BS 12G	BS 14G	BSB 12G	BSB 14G
Gręžimo ø pliene .....	10 mm	10 mm	10 mm	10 mm
Gręžimo ø pliene (su gręžimo patronu 1,5 - 13 mm) .....	-	13 mm	-	13 mm
Gręžimo ø medienoje .....	30 mm	32 mm	30 mm	32 mm
Gręžimo ø medienoje (su gręžimo patronu 1,5 - 13 mm) .....	-	32 mm	-	32 mm
Gręžimo ø galvutė degtose ir silikatinėse plytose.....	-	-	6 mm	8 mm
Medvaržčiai (be išankstinio gręžimo) .....	4,2 mm	4,2 mm	4,2 mm	4,2 mm
Sūkių skaičius laisva eiga 1. pavara .....	0-350 min <sup>-1</sup>	0-400 min <sup>-1</sup>	0-350 min <sup>-1</sup>	0-400 min <sup>-1</sup>
Sūkių skaičius laisva eiga 2. pavara .....	0-1350 min <sup>-1</sup>	0-1400 min <sup>-1</sup>	0-1350 min <sup>-1</sup>	0-1400 min <sup>-1</sup>
Sūkių skaičius laisva eiga 2. pavara (Li-Ion).....	-	0-1500 min <sup>-1</sup>	-	0-1500 min <sup>-1</sup>
Maks. smūgių skaičius su apkrova .....	-	-	20 250 min <sup>-1</sup>	21 000 min <sup>-1</sup>
Maks. smūgių skaičius su apkrova (Li-Ion).....	-	-	-	22 500 min <sup>-1</sup>
Sukimo momentas * .....	30 Nm	32 Nm	30 Nm	32 Nm
Sukimo momentas * (Li-Ion).....	-	36 Nm	-	36 Nm
Keičiamo akumulatoriaus įtampa.....	12 V	14,4 V	12 V	14,4 V
Grąžto patrono veržimo diapazonas.....	1-10 mm	1-10 mm	1-10 mm	1-10 mm
Grąžto patrono veržimo diapazonas.....	-	1,5-13 mm	-	1,5-13 mm
Svoris su akumulatoriumi (1.4 Ah) .....	1,65 kg	1,95 kg	1,8 kg	2,1 kg
Svoris su akumulatoriumi (1.5 Ah Li-Ion) .....	-	1,52 kg	-	1,65 kg

### Informacija apie triukšmą/vibraciją

Vertės matuotos pagal EN 60 745.

Įvertintas A įrenginio keliamo triukšmo lygis dažniausiai sudaro:

Garso slėgio lygis (K=3dB(A)) ..... 90 dB(A) ..... 90 dB(A) ..... 90 dB(A) ..... 90 dB(A)

Garso galios lygis (K=3dB(A)) ..... 101 dB(A) ..... 101 dB(A) ..... 101 dB(A) ..... 101 dB(A)

### Nešioti klausos apsaugines priemones!

Bendroji svyravimų reikšmė (trių krypčių vektorių suma), nustatyta remiantis EN 60745.

Vibravimų emisijos reikšmė a<sub>h</sub>

Betono perforavimas.....	-	-	15,6 m/s <sup>2</sup>	13,7 m/s <sup>2</sup>
Paklaida K.....	-	-	1,5 m/s <sup>2</sup>	1,5 m/s <sup>2</sup>
Metalo gręžimas.....	< 2,5 m/s <sup>2</sup>	< 2,5 m/s <sup>2</sup>	< 2,5 m/s <sup>2</sup>	< 2,5 m/s <sup>2</sup>
Paklaida K.....	1,5 m/s <sup>2</sup>	1,5 m/s <sup>2</sup>	1,5 m/s <sup>2</sup>	1,5 m/s <sup>2</sup>
Prisukimas varžtais.....	< 2,5 m/s <sup>2</sup>	< 2,5 m/s <sup>2</sup>	< 2,5 m/s <sup>2</sup>	< 2,5 m/s <sup>2</sup>
Paklaida K.....	1,5 m/s <sup>2</sup>	1,5 m/s <sup>2</sup>	1,5 m/s <sup>2</sup>	1,5 m/s <sup>2</sup>

\* Matuojant pagal „AEG“ normą N 877318

### DĖMESIO

Instrukcijoje nurodyta svyravimų ribinė vertė yra išmatuota remiantis standartu EN 60745; ji gali būti naudojama keliems elektriniams instrumentams palyginti. Ji taikoma ir laikinai įvertinti svyravimų apkrovą.

Nurodyta svyravimų ribinė vertė yra taikoma pagrindinėse elektrinio instrumento naudojimo srityse. Svyravimų ribinė vertė gali skirtis naudojant elektrinį instrumentą kitose srityse, papildomai naudojant netinkamus elektrinius instrumentus arba juos nepakankamai techniškai prižiūrint. Dėl to viso darbo metu gali žymiai padidėti svyravimų apkrova.

Siekiant tiksliai nustatyti svyravimų apkrovą, būtina atsivėlginti ir į laikotarpį, kai įrenginys yra išjungtas arba įjungtas, tačiau faktiškai nenaudojamas. Dėl to viso darbo metu gali žymiai sumažėti svyravimų apkrova.

Siekiant apsaugoti vartotojus nuo svyravimo įtakos naudojamos papildomos saugos priemonės, pavyzdžiui, elektrinių darbo instrumentų techninė priežiūra, rankų šilumos palaikymas, darbo procesų organizavimas.



Liet

**⚠ DĖMESIO!** Perskaitykite visas saugumo pastabas ir nurodymus, esančius pridėtoje brošiūroje. Jei nepaisysite žemiau pateiktų saugos nuorodų ir reikalavimų, gali trenkti elektros smūgis, kilti gaisras ir/arba galite sunkiai susižaloti arba sužaloti kitus asmenis.

**Išsaugokite šias saugos nuorodas ir reikalavimus, kad ir ateityje galėtumėte jais pasinaudoti.**

#### YPATINGOS SAUGUMO NUORODOS

**Nešiokite klausos apsaugos priemones.** Dėl didelio triukšmo poveikio gali būti pažeidžiama klausos.

**Dirbdami laikykite prietaisą už izoliuotų vietų, kuriose pjo-vimo įrenginys pats galėtų liesti paslėptus laidus arba savo paties laidą.** Pjovimo įrenginio kontaktas su įtampos laidais gali įelektrinti metalines prietaiso dalis, o tai gali sukelti elektros iškvėpą.

Dirbdami su įrenginiu visada nešiokite apsauginius akinius. Rekomenduotina nešioti apsaugines pirštines, tvirtus batus neslidžiu padu bei prijuoste.

Darbo metu susidaranti dulkės yra dažnai kenksmingos sveikatai ir todėl turėtų nepatekti į organizmą. Dėvėti tinkamą apsauginę kaukę nuo dulkių.

Draudžiama išiminti drožles ar nuopjovas, įrenginiui veikiant.

Dirbdami sienoje, lubose arba grindyse, atkreipkite dėmesį į elektros laidus, dujų ir vandens vamzdžius.

Prieš atlikdami bet kokius darbus įrenginyje, išimkite keičiamą akumuliatorių.

Sunaudotų keičiamų akumuliatorių nedeginkite ir nemeskite į buitines atliekas. AEG siūlo tausojantį aplinką sudėvėtų keičiamų akumuliatorių tvarkymą, apie tai teiraukitės prekybos atstovo.

Keičiamų akumuliatorių nelaikykite kartu su metaliniais daiktais (trumpojo jungimo pavojus).

Keičiamus „GBS“ sistemos akumuliatorius kraukite tik „GBS“ sistemos įkrovikliais. Nekraukite kitų sistemų akumuliatorių.

Į įkroviklį keičiamiems akumuliatoriams įstatymui skirtą vamzdį turi nepatekti jokios metalinės dalys (trumpojo jungimo pavojus).

Keičiamų akumuliatorių ir įkroviklių nelaikykite atvirai. Laikykite tik sausoje vietoje. Saugokite nuo drėgmės.

Ekstremalių apkrovų arba ekstremalios temperatūros poveikyje iš keičiamų akumuliatorių gali ištekti akumuliatoriaus skystis. Išsitiesup akumuliatoriaus skystį, tuoj pat nuplaukite vandeniu su muilu. Patekęs į akis, tuoj pat ne trumpiau kaip 10 minučių gausiai skalaukite vandeniu ir tuoj pat kreipkitės į gydytoją.

#### NAUDOJIMAS PAGAL PASKIRTĮ

BS 12G, BS 14G: Akumuliatorinį suktuvą-gręžtuvą galima universaliai naudoti gręžimui ir sukimui nepriklausomai nuo elektros tinklo.

BSB 12G, BSB 14G: Akumuliatorinį smūginį suktuvą-gręžtuvą galima universaliai naudoti gręžimui, smūginiam gręžimui ir sukimui nepriklausomai nuo elektros tinklo.

Šį prietaisą leidžiama naudoti tik pagal nurodytą paskirtį.

#### CE ATITIKTIES PAREIŠKIMAS

Mes atsakingai pareiškiame, kad šis gaminys atitinka tokias normas arba normatyvinius dokumentus: EN 60745, EN 55014-1, EN 55014-2, pagal direktyvą 2006/42/EB, 2004/108/EB reikalavimus.



Winnenden, 2011-08-10

Rainer Kumpf

Manager Product Development  
įgaliojatis parengti techninius dokumentus.

#### DARBO NUORODOS

Greičio perjungimo jungiklio niekada nejunkite, kai mašina veikia. Įjunkite tik tada, kai mašina nesisuka.

#### AKUMULIATORIAI

Nauji keičiami akumuliatoriai savo pilną talpą įgyja po 4-5 įkrovos ir iškrovos ciklų. Ilgesnį laiką nenaudotus keičiamus akumuliatorius prieš naudojimą įkruaukite.

Aukštesnė nei 50°C temperatūra mažina keičiamų akumuliatorių galią. Venkite ilgesnio saulės ar šilumos šaltinių poveikio.

Įkroviklio ir keičiamo akumuliatoriaus jungiamieji kontaktai visada turi būti švarūs.

#### TECHNINIS APTARNAVIMAS

Naudokite tik AEG priedus ir atsargines dalis. Dalis, kurių keitimas neaprašytas, leidžiama keisti tik AEG klientų aptarnavimo skyriams (žr. garantiją/klientų aptarnavimo skyrių adresus brošiūroje).

Jei reikia, nurodant įrenginio tipą bei specifikacijų lentelėje esantį dešimtženklį numerį, iš klientų aptarnavimo skyriaus arba tiesiai iš AEG Electric Tools GmbH, Max-Eyth-Straße 10, D-71364 Winnenden, Germany, galima užsisakyti prietaiso surinkimo brėžinius.

#### SIMBOLIAI



Prieš pradėdami dirbti su prietaisu, atidžiai perskaitykite jo naudojimo instrukciją.



DĖMESIO! ĮSPĖJIMAS! PAVOJUS!



Prieš atlikdami bet kokius darbus įrenginyje, išimkite keičiamą akumuliatorių.



Priedas – neįeina į tiekimo komplektaciją, rekomenduojamas papildymas iš priedų asortimento.



Neišmeskite elektros įrengimu į buitinius šiukšlynus! Pagal ES Direktyva 2002/96/EB dėl naudoto įrengimu, elektros įrengimu ir ju ištraukimo į valstybinius įstatymus naudotus įrengimus būtina surinkti atskirai ir nugabenti antriniu žaliavu perdirbimui aplinkai nekenksmingu būdu.

Lietuviškai

	BS 12G	BS 14G	BSB 12G	BSB 14G
Puurimisläbimõõt terases .....	10 mm	10 mm	10 mm	10 mm
Puurimisläbimõõt terases (padruniga 1,5 - 13 mm) .....	-	13 mm	-	13 mm
Puuri ø puidus .....	30 mm	32 mm	30 mm	32 mm
Puuri ø puidus (padruniga 1,5 - 13 mm) .....	-	32 mm	-	32 mm
Puuri ø tellistes ja silikaatkivides .....	-	-	6 mm	8 mm
Puidukruvid (eelpuurimiseta) .....	4,2 mm	4,2 mm	4,2 mm	4,2 mm
Pöörlemiskiirus tühijooksul 1. käigul .....	0-350 min <sup>-1</sup>	0-400 min <sup>-1</sup>	0-350 min <sup>-1</sup>	0-400 min <sup>-1</sup>
Pöörlemiskiirus tühijooksul 2. käigul .....	0-1350 min <sup>-1</sup>	0-1400 min <sup>-1</sup>	0-1350 min <sup>-1</sup>	0-1400 min <sup>-1</sup>
Pöörlemiskiirus tühijooksul 2. käigul (Li-Ion) .....	-	0-1500 min <sup>-1</sup>	-	0-1500 min <sup>-1</sup>
Löökide arv koormusega maks .....	-	-	20 250 min <sup>-1</sup>	21 000 min <sup>-1</sup>
Löökide arv koormusega maks (Li-Ion) .....	-	-	-	22 500 min <sup>-1</sup>
Pöördemoment* .....	30 Nm	32 Nm	30 Nm	32 Nm
Pöördemoment* (Li-Ion) .....	-	36 Nm	-	36 Nm
Vahetatava aku pingeline .....	12 V	14,4 V	12 V	14,4 V
Puuripadruni pingutusvahemik .....	1-10 mm	1-10 mm	1-10 mm	1-10 mm
Puuripadruni pingutusvahemik .....	-	1,5-13 mm	-	1,5-13 mm
Kaal akuga (1.4 Ah) .....	1,65 kg	1,95 kg	1,8 kg	2,1 kg
Kaal akuga (1.5 Ah Li-Ion) .....	-	1,52 kg	-	1,65 kg

### Müra/vibratsiooni andmed

Mööteväärtsused on kindlaks tehtud vastavalt normile EN 60 745.

Seadme tüüpiline hinnanguline (müratase):

Helirõhutase (K=3dB(A)) .....	90 dB(A)	90 dB(A)	90 dB(A)	90 dB(A)
Helivõimsuse tase (K=3dB(A)) .....	101 dB(A)	101 dB(A)	101 dB(A)	101 dB(A)

### Kandke kaitseks kõrvaklappe!

Vibratsiooni koguväärtus (kolme suuna vektorsummöödetud EN 60745 järgi).

Vibratsiooni emissiooni väärtus  $a_h$

Betooni löökpuurimine .....	-	-	15,6 m/s <sup>2</sup>	13,7 m/s <sup>2</sup>
Määramatus K .....	-	-	1,5 m/s <sup>2</sup>	1,5 m/s <sup>2</sup>
Metalli puurimine .....	< 2,5 m/s <sup>2</sup>	< 2,5 m/s <sup>2</sup>	< 2,5 m/s <sup>2</sup>	< 2,5 m/s <sup>2</sup>
Määramatus K .....	1,5 m/s <sup>2</sup>	1,5 m/s <sup>2</sup>	1,5 m/s <sup>2</sup>	1,5 m/s <sup>2</sup>
Kruvimine .....	< 2,5 m/s <sup>2</sup>	< 2,5 m/s <sup>2</sup>	< 2,5 m/s <sup>2</sup>	< 2,5 m/s <sup>2</sup>
Määramatus K .....	1,5 m/s <sup>2</sup>	1,5 m/s <sup>2</sup>	1,5 m/s <sup>2</sup>	1,5 m/s <sup>2</sup>

\* Mõõdetud vastavalt AEG normile N 877318

### TÄHELEPANU

Antud juhendis toodud vonketase on mõõdetud EN 60745 standardile vastava mõõtesüsteemiga ning seda võib kasutada erinevate elektriseadmete omavahelises võrdlemises. Antud näitaja sobib ka esmaseks vonkekoormuse hindamiseks.

Antud vonketase kehtib elektriseadme kasutamisel sihtotstarbisel. Kui elektriseadet kasutatakse muudel otstarvetel, muude tööriistadega või seda ei hooldata piisavalt võib vonketase siintoodust erineda. Eeltoodu võib vonketaset märkimisväärselt tõsta terves töökeskkonnas.

Vonketaseme täpseks hindamiseks tuleks arvestada ka aega, mil seade on välja lülitatud või on küll sisse lülitatud, kuid ei ole otseselt kasutuses. See võib märgatavalt vähendada kogu töökeskkonna vonketaset.

Rakendage spetsiaalseid ettevaatusabinõusid töötajate suhtes, kes puutuvad töö käigus palju kokku vibratsiooniga. Nendeks abinõudeks võivad olla, näiteks: elektri- ja tööseadmete korraline hooldus, käte soojendamine, töövoo parem organiseerimine.



Est

**⚠ TÄHELEPANU!** Lugege kõik ohutusnõuanded ja juhendid läbi, ka juures olevast brošüürist. Ohutusnõuete ja juhiste eiramise tagajärjeks võib olla elektrilöökk, tulekahju ja/või raskest vigastused.

**Hoidke kõik ohutusnõuded ja juhised edasiseks kasutamiseks hoolikalt alles.**

### SPETSIAALSED TURVAJUHISED

**Kandke kaitseks kõrvaklappe.** Müra toime võib põhjustada kuulmiskadu.

**Tööde puhul, kus löikeseade võib minna vastu peidetud elektrijuhtmeid või seadme enda toitejuhet, hoidke kinni seadme isoleeritud käepidemetest.** Kokkupuude pingestatud juhtmega võib pingestada ka löikeseadme metallist osad ning põhjustada elektrilöögi.

Masina töötaades kandke alati kaitseprille. Soovitatavad on kaitsekindad, tugevad ja libisemiskindlad jalanõud ning põll.

Töö ajal tekkev tolm on sageli tervistkahjustav ning ei tohiks sattuda organismi. Kanda sobivat kaitsemaski.

Puru ega pilpaid ei tohi eemaldada masina töötamise ajal.

Seina, lae või põrand tööde puhul pidage silmas elektrijuhtmeid, gaasi- ja veetorusid.

Enne kõiki töid masina kallal võtke vahetatav aku välja.

Ärge visake tarvitatud vahetatavaid akusid tulle ega olmeprügisse. AEG pakub vanade akude keskkonnahoidlikku käitlust; palun küsige oma erialaselt tarnijalt.

Ärge säilitage vahetatavaid akusid koos metallsemetega (lühiseoht).

Laadige süsteemi GBS vahetatavaid akusid ainult süsteemi GBS laadijatega. Ärge laadige nendega teiste süsteemide akusid.

Laadijal olevasse vahetatava aku ühenduskambrisse ei tohi sattuda metalloosi (lühiseoht).

Ärge avage vahetatavaid akusid ega laadijaid ning ladustage neid ainult kuivades ruumides. Kaitske niiskuse eest.

Äärmuslikul koormusel või äärmuslikul temperatuuril võib kahjustatud vahetatavast akust akuvedelik välja voolata. Akuvedelikuga kokkupuutumise korral peske kohe vee ja seebiga. Silma sattumise korral loputage kiiresti põhjalikult vähemalt 10 minutit ning pöörduge viivitamatult arsti poole.

### KASUTAMINE VASTAVALT OTSTARBELE

BS 12G, BS 14G: akutrell-kruvikeerajat saab sõltumata võrguühendusest universaalselt rakendada puurimiseks ja kruvide keeramiseks.

BSB 12G, BSB 14G: Akulööktrell-kruvikeerajat saab sõltumata võrguühendusest universaalselt rakendada puurimiseks, löökpuurimiseks ja kruvide keeramiseks.

Antud seadet tohib kasutada ainult vastavalt äranäidatud otstarbele.

### EÜ VASTAVUSAVALDUS

Me deklareerime ainuvastutajatena, et antud toode on kooskõlas järgmiste normide või normdokumentidega: EN 60745, EN 55014-1, EN 55014-2, vastavalt direktiivide 2006/42/EÜ, 2004/108/EÜ sätetele.



Winnenden, 2011-08-10

Rainer Kumpf

Manager Product Development

On volitatud koostama tehnilist dokumentatsiooni.

### TÖÖJUHISED

Käigulülitit ei tohi kunagi lülitada, kui masin on sisse lülitatud, vaid alati ainult siis, kui masin on seiskunud.

### AKUD

Uued vahetatavad akud saavutavad oma täieliku mahtuvuse pärast 4–5 laadimis- ja tühjendus tsüklit. Pikemat aega mittekasutatud akusid laadige veel enne kasutamist.

Temperatuur üle 50 °C vähendab vahetatava aku töövoimet. Vältige pikemat soojenemist päikese või kütteseadme mõjul.

Hoidke laadija ja vahetatava aku ühenduskontaktid puhtad.

### HOOLDUS

Kasutage ainult AEG tarvikuid ja tagavaraosi. Detailid, mille väljavahetamist pole kirjeldatud, laske välja vahetada AEG klienditeeninduspunktis (vaadake brošüüri garantii / klienditeeninduste aadressid).

Vajaduse korral võite tellida seadme läbilöökejoonise, näidates ära masina tüübi ja andmesildil oleva kühmekohalise numbriga. Selleks pöörduge klienditeeninduspunkti või otseselt: AEG Electric Tools GmbH, Max-Eyth-Straße 10, D-71364 Winnenden, Germany.

### SÜMBOLID



Palun lugege enne käikuluskmit kasutamisejuhend hoolikalt läbi.



ETTEVAATUST! TÄHELEPANU! OHUD!



Enne kõiki töid masina kallal võtke vahetatav aku välja.



Tarvikud - ei kuulu tarne komplekti, soovitatav täiendus on saadaval tarvikute programmis.



Ärge käidelda kasutuskoõlbmatuks muutunud elektrilisi tööriistu koos olmejäätmetega! Vastavalt Euroopa Parlamendi ja nõukogu direktiivile 2002/96/EÜ elektri- ja elektroonikaseadmete jäätmete kohta ning direktiivi nõuete kohaldamisele liikmesriikides tuleb asutuskoõlbmatuks muutunud elektrilised tööriistad koguda eraldi ja keskkonnasäästlikult korduskasutada või ringlusse võtta.

	BS 12G	BS 14G	BSB 12G	BSB 14G
Производительность сверления в стали .....	10 mm	10 mm	10 mm	10 mm
Производительность сверления в стали (со сверлильным патроном 1,5 - 13 mm) .....	-	13 mm	-	13 mm
Производительность сверления в дереве .....	30 mm	32 mm	30 mm	32 mm
Производительность сверления в дереве (со сверлильным патроном 1,5 - 13 mm) .....	-	32 mm	-	32 mm
Производительность сверления в кирпич и кафель .....	-	-	6 mm	8 mm
Шурупы для дерева (без предварительного засверливания) .....	4,2 mm	4,2 mm	4,2 mm	4,2 mm
Число оборотов без нагрузки (об/мин) 1-ая передача .....	0-350 min <sup>-1</sup>	0-400 min <sup>-1</sup>	0-350 min <sup>-1</sup>	0-400 min <sup>-1</sup>
Число оборотов без нагрузки (об/мин) 2-я скорость .....	0-1350 min <sup>-1</sup>	0-1400 min <sup>-1</sup>	0-1350 min <sup>-1</sup>	0-1400 min <sup>-1</sup>
Число оборотов без нагрузки (об/мин) 2-я скорость (Li-Ion) .....	-	0-1500 min <sup>-1</sup>	-	0-1500 min <sup>-1</sup>
Количество ударов при максимальной нагрузке (макс.) .....	-	-	20 250 min <sup>-1</sup>	21 000 min <sup>-1</sup>
Количество ударов при максимальной нагрузке (макс.) (Li-Ion) .....	-	-	-	22 500 min <sup>-1</sup>
Момент затяжки * .....	30 Nm	32 Nm	30 Nm	32 Nm
Момент затяжки * (Li-Ion) .....	-	36 Nm	-	36 Nm
Вольтаж аккумулятора .....	12 V	14,4 V	12 V	14,4 V
Диапазон раскрытия патрона .....	1-10 mm	1-10 mm	1-10 mm	1-10 mm
Диапазон раскрытия патрона .....	-	1,5-13 mm	-	1,5-13 mm
Вес батарей (1.4 Ah) .....	1,65 kg	1,95 kg	1,8 kg	2,1 kg
Вес с батарей (1.5 Ah Li-Ion) .....	-	1,52 kg	-	1,65 kg



**Информация по шумам/вибрации**

Значения замерялись в соответствии со стандартом EN 60 745.

Уровень шума прибора, определенный по показателю A, обычно составляет:

Уровень звукового давления (K=3dB(A)).....90 dB(A).....90 dB(A).....90 dB(A).....90 dB(A)

Уровень звуковой мощности (K=3dB(A)).....101 dB(A).....101 dB(A).....101 dB(A).....101 dB(A)

**Пользуйтесь приспособлениями для защиты слуха.**

Общие значения вибрации (векторная сумма трех направлений) определены в соответствии с EN 60745.

Значение вибрационной эмиссии a<sub>h</sub>

Ударное сверление в бетоне .....	-	-	15,6 m/s <sup>2</sup>	13,7 m/s <sup>2</sup>
Небезопасность K .....	-	-	1,5 m/s <sup>2</sup>	1,5 m/s <sup>2</sup>
Сверление в металле .....	< 2,5 m/s <sup>2</sup>	< 2,5 m/s <sup>2</sup>	< 2,5 m/s <sup>2</sup>	< 2,5 m/s <sup>2</sup>
Небезопасность K .....	1,5 m/s <sup>2</sup>	1,5 m/s <sup>2</sup>	1,5 m/s <sup>2</sup>	1,5 m/s <sup>2</sup>
Завинчивание .....	< 2,5 m/s <sup>2</sup>	< 2,5 m/s <sup>2</sup>	< 2,5 m/s <sup>2</sup>	< 2,5 m/s <sup>2</sup>
Небезопасность K .....	1,5 m/s <sup>2</sup>	1,5 m/s <sup>2</sup>	1,5 m/s <sup>2</sup>	1,5 m/s <sup>2</sup>

\* Измерения согласно нормативам AEG № 877318

**ВНИМАНИЕ**

Указанный в настоящем руководстве уровень вибрации измерен в соответствии с технологией измерения, установленной стандартом EN 60745 и может использоваться для сравнения электроинструментов друг с другом. Он также подходит для предварительной оценки вибрационной нагрузки.

Указанный уровень вибрации представляет основные виды использования электроинструмента. Но если электроинструмент используется для других целей, используемый инструмент отклоняется от указанного или техническое обслуживание было недостаточным, то уровень вибрации может отклоняться от указанного. В этом случае вибрационная нагрузка в течение всего периода работы значительно увеличивается

Для точной оценки вибрационной нагрузки необходимо также учитывать время, в течение которого прибор отключен или включен, но фактически не используется. В этом случае вибрационная нагрузка в течение всего периода работы может существенно уменьшиться.

Установите дополнительные меры безопасности для защиты пользователя от воздействия вибрации, например: техническое обслуживание электроинструмента и используемого инструмента, поддержание рук в теплом состоянии, организация рабочих процессов.

**⚠ ВНИМАНИЕ! Ознакомьтесь со всеми указаниями по безопасности и инструкциями, в том числе с инструкциями, содержащимися в прилагающейся брошюре.** Упущения, допущенные при соблюдении указаний и инструкций по технике безопасности, могут стать причиной электрического поражения, пожара и тяжелых травм.

**Сохраняйте эти инструкции и указания для будущего использования.**



## РЕКОМЕНДАЦИИ ПО ТЕХНИКЕ БЕЗОПАСНОСТИ

**Используйте наушники!** Воздействие шума может привести к потере слуха.

**Если Вы выполняете работы, при которых режущий инструмент может зацепить скрытую электропроводку или собственный кабель, инструмент следует держать за специально предназначенные для этого изолированные поверхности.** Контакт режущего инструмента с токоведущим проводом может ставить под напряжение металлические части прибора, а также приводить к удару электрическим током.

При работе с инструментом всегда надевайте защитные очки. Рекомендуется надевать перчатки, прочные нескользящие ботинки и фартук.

Пыль, возникающая при работе данным инструментом, может нанести вред здоровью. Не следует допускать её попадания в организм. Надевайте противопылевую респиратор.

Не убирайте опилки и обломки при включенном инструменте.

При работе в стенах, потолках или полу следите за тем, чтобы не повредить электрические кабели или водопроводные трубы.

Выньте аккумулятор из машины перед проведением с ней каких-либо манипуляций.

Не выбрасывайте использованные аккумуляторы вместе с домашним мусором и не сжигайте их. Дистрибьюторы компании AEG предлагают восстановление старых аккумуляторов, чтобы защитить окружающую среду.

Не храните аккумуляторы вместе с металлическими предметами во избежание короткого замыкания.

Для зарядки аккумуляторов модели GBS используйте только зарядным устройством GBS. Не заряжайте аккумуляторы других систем.

Не допускается попадания каких-либо металлических предметов в аккумуляторный отсек зарядного устройства во избежание короткого замыкания.

Никогда не вскрывайте аккумуляторы или зарядные устройства и храните их только в сухих помещениях. Следите, чтобы они всегда были сухими.

Аккумуляторная батарея может быть повреждена и дать течь под воздействием чрезмерных температур или повышенной нагрузки. В случае контакта с аккумуляторной кислотой немедленно промойте место контакта мылом и водой. В случае попадания кислоты в глаза промойте глаза в течении 10 минут и немедленно обратитесь за медицинской помощью.

## ИСПОЛЬЗОВАНИЕ

BS 12G, BS 14G: Аккумуляторная дрель/шурупверт сконструирована для простого сверления и закручивания шурупов в местах, необеспеченных электропитанием.

BSB 12G, BSB 14G: Ударная дрель/шурупверт AEG сконструирована для простого сверления, ударного сверления, закручивания шурупов в местах, необеспеченных электропитанием.

Не пользуйтесь данным инструментом способом, отличным от указанного для нормального применения.

## ДЕКЛАРАЦИЯ О СООТВЕТСТВИИ СТАНДАРТАМ ЕС

Мы заявляем что этот продукт соответствует следующим стандартам: EN 60745, EN 55014-1, EN 55014-2, в соответствии с правилами 2006/42/ЕС, 2004/108/ЕС.



Winnenden, 2011-08-10

Rainer Kumpf

Manager Product Development

Уполномочен на составление технической документации.

## УКАЗАНИЯ ПО РАБОТЕ

Ни в коем случае не пользоваться переключателем скорости при включенном инструменте!

## АККУМУЛЯТОР

Новый аккумулятор заряжается до полной емкости после 4 - 5 зарядных циклов. Перед использованием аккумулятора, которым не пользовались некоторое время, его необходимо зарядить.

Температура свыше 50°C снижает работоспособность аккумулятора. Избегайте продолжительного нагрева или прямого солнечного света (риск перегрева).

Контакты зарядного устройства и аккумуляторов должны содержаться в чистоте.

## ОБСЛУЖИВАНИЕ

Пользуйтесь аксессуарами и запасными частями только фирмы AEG. В случае возникновения необходимости в замене, которая не была описана, пожалуйста, обращайтесь на один из сервисных центров (см. список наших гарантийных/сервисных организаций).

При необходимости может быть заказан чертеж инструмента с трехмерным изображением деталей. Пожалуйста, укажите десятизначный номер и тип инструмента и закажите чертеж у Ваших местных агентов или непосредственно у AEG Electric Tools GmbH, Max-Eyth-Straße 10, D-71364 Winnenden, Germany.

## СИМВОЛЫ



Пожалуйста, внимательно прочтите инструкцию по использованию перед началом любых операций с инструментом.



**ВНИМАНИЕ! ПРЕДУПРЕЖДЕНИЕ! ОПАСНОСТЬ!**



Выньте аккумулятор из машины перед проведением с ней каких-либо манипуляций.



Принадлежности - В стандартную комплектацию не входит, поставляется в качестве дополнительной принадлежности.



Не выбрасывайте электроинструмент с бытовыми отходами! Согласно Европейской директиве 2002/96/ЕС по отходам от электрического и электронного оборудования и соответствующим нормам национального права вышеуказанные из употребления электроинструменты подлежат сбору отдельно для экологически безопасной утилизации.



Соответствие техническому регламенту

Русский

	BS 12G	BS 14G	BSB 12G	BSB 14G
Диаметър на свредлото за стомана.....	10 mm	10 mm	10 mm	10 mm
Диаметър на свредлото за стомана (с патронник 1,5 - 13 mm).....	-	13 mm	-	13 mm
Диаметър на свредлото за дърво.....	30 mm	32 mm	30 mm	32 mm
Диаметър на свредлото за дърво (с патронник 1,5 - 13 mm).....	-	32 mm	-	32 mm
Диаметър на свредлото за обикновени и силикатни тухли.....	-	-	6 mm	8 mm
Винтове за дърво (без предварително разпробиване).....	4,2 mm	4,2 mm	4,2 mm	4,2 mm
Обороти на празен ход на 1. скорост.....	0-350 min <sup>-1</sup>	0-400 min <sup>-1</sup>	0-350 min <sup>-1</sup>	0-400 min <sup>-1</sup>
Обороти на празен ход на 2. скорост.....	0-1350 min <sup>-1</sup>	0-1400 min <sup>-1</sup>	0-1350 min <sup>-1</sup>	0-1400 min <sup>-1</sup>
Обороти на празен ход на 2. скорост (Li-Ion).....	-	0-1500 min <sup>-1</sup>	-	0-1500 min <sup>-1</sup>
Макс. брой на ударите при натоварване.....	-	-	20 250 min <sup>-1</sup>	21 000 min <sup>-1</sup>
Макс. брой на ударите при натоварване (Li-Ion).....	-	-	-	22 500 min <sup>-1</sup>
Въртящ момент *.....	30 Nm	32 Nm	30 Nm	32 Nm
Въртящ момент * (Li-Ion).....	-	36 Nm	-	36 Nm
Напрежение на акумулатора.....	12 V	14,4 V	12 V	14,4 V
Затегателен участък на патронника.....	1-10 mm	1-10 mm	1-10 mm	1-10 mm
Затегателен участък на патронника.....	-	1,5-13 mm	-	1,5-13 mm
Тегло с батерия (1.4 Ah).....	1,65 kg	1,95 kg	1,8 kg	2,1 kg
Тегло с батерия (1.5 Ah Li-Ion).....	-	1,52 kg	-	1,65 kg

### Информация за шума/вибрациите

Измерените стойности са получени съобразно EN 60 745.

Оцененото с А ниво на шума на уреда е съответно:

Ниво на звукова мощност (K=3dB(A)).....90 dB(A).....90 dB(A).....90 dB(A).....90 dB(A)

Ниво на звукова мощност (K=3dB(A)).....101 dB(A).....101 dB(A).....101 dB(A).....101 dB(A)

### Да се носи предпазно средство за слуха!

Общите стойности на вибрациите (векторна сума на три посоки) са определени в съответствие с EN 60745.

Стойности на емисии на вибрациите a<sub>h</sub>

Ударно пробиване в бетон.....-.....15,6 m/s<sup>2</sup>.....13,7 m/s<sup>2</sup>

Несигурност K.....-.....1,5 m/s<sup>2</sup>.....1,5 m/s<sup>2</sup>

Пробиване на метал.....< 2,5 m/s<sup>2</sup>.....< 2,5 m/s<sup>2</sup>.....< 2,5 m/s<sup>2</sup>.....< 2,5 m/s<sup>2</sup>

Несигурност K.....1,5 m/s<sup>2</sup>.....1,5 m/s<sup>2</sup>.....1,5 m/s<sup>2</sup>.....1,5 m/s<sup>2</sup>

Завинтване.....< 2,5 m/s<sup>2</sup>.....< 2,5 m/s<sup>2</sup>.....< 2,5 m/s<sup>2</sup>.....< 2,5 m/s<sup>2</sup>

Несигурност K.....1,5 m/s<sup>2</sup>.....1,5 m/s<sup>2</sup>.....1,5 m/s<sup>2</sup>.....1,5 m/s<sup>2</sup>

\* Измерено по стандарт N 877318 на AEG

### ВНИМАНИЕ

Посоченото в тези инструкции ниво на вибрациите е измерено в съответствие със стандартизиран в EN 60745 измервателен метод и може да се използва за сравнение на електрически инструменти помежду им. Подходящ е и за временна оценка на вибрационното натоварване.

Посоченото ниво на вибрациите представя основните приложения на електрическия инструмент. Ако обаче електрическият инструмент се използва с друго предназначение, с различни сменяеми инструменти или при недостатъчна техническа поддръжка, нивото на вибрациите може да е различно. Това чувствително може да увеличи вибрационното натоварване по време на целия работен цикъл.

За точната оценка на вибрационното натоварване трябва да се вземат предвид и периодите от време, в които уредът е изключен или работи, но в действителност не се използва. Това чувствително може да намали вибрационното натоварване по време на целия работен цикъл.

Определете допълнителни мерки по техника на безопасност в защита на обслужващия работник от въздействието на вибрациите като например: техническа поддръжка на електрическия инструмент и сменяемите инструменти, поддържане на ръцете топли, организация на работния цикъл.



БЪЛ

**⚠ ВНИМАНИЕ!** Прочетете указанията за безопасност и съветите в приложената брошура. Неспазването на приведените по-долу указания може да доведе до токов удар, пожар и/или тежки травми.

**Съхранявайте тези указания на сигурно място.**

### СПЕЦИАЛНИ УКАЗАНИЯ ЗА БЕЗОПАСНОСТ

**Носете средство за защита на слуха.** Шумът може да доведе до загуба на слуха.

**Дръжте уреда за изолираните ръкохватки, когато извършвате работи, при които режещият инструмент може да засегне скрити електроинсталационни кабели или собствения си кабел.** Контактът на режещия инструмент с тоководещ проводник може да предаде напрежението върху метални части на уреда и да доведе до токов удар.

При работа с машината винаги носете предпазни очила. Препоръчват се също така предпазни ръкавици, здрави и нехлъзгащи се обувки, както и престилка.

Прахът, който се образува при работа, често е вреден за здравето и не бива да попада в тялото. Да се носи подходяща прахозащитна маска.

Стружки или отчупени парчета да не се отстраняват, докато машина работи.

При работа в стени, тавани или подове внимавайте за кабели, газопроводи и водопроводи.

Преди започване на каквито е да работи по машината извадете акумулатора.

Не изхвърляйте изхабените акумулатори в огъня или в при битовите отпадъци. AEG предлага екологосъобразно събиране на старите акумулатори; моля попитайте Вашия специализиран търговец.

Не съхранявайте акумулаторите заедно с метални предмети (опасност от късо съединение).

Акумулатори от системата GBS да се зареждат само със зарядни устройства от системата GBS laden. Да не се зареждат акумулатори от други системи.

В гнездото за акумулатори на зарядните устройства не бива да попадат метални части (опасност от късо съединение).

Не отваряйте акумулатори и зарядни устройства и ги съхранявайте само в сухи помещения. Пазете ги от влага.

При екстремно натоварване или екстремна температура от повредени акумулатори може да изтече батерийна течност. При допир с такава течност веднага измийте с вода и сапун. При контакт с очите веднага изплаквайте старателно най-малко 10 минути и незабавно потърсете лекар.

### ИЗПОЛЗВАНЕ ПО ПРЕДНАЗНАЧЕНИЕ

BS 12G, BS 14G: Акумулаторният пробивен винтоверт се използва универсално за пробиване и за завинтване на винтове и не зависи от захранване от мрежата.

B5B 12G, B5B 14G: Акумулаторният ударен пробивен винтоверт с управление може универсално да се използва за пробиване, ударно пробиване и завинтване на винтове, като не зависи от захранване от мрежата.

Този уред може да се използва по предназначение само както е посочено.

### СЕ - ДЕКЛАРАЦИЯ ЗА СЪОТВЕТСТВИЕ

Декларираме на собствена отговорност, че този продукт съответства на следните стандарти или нормативни документи: EN 60745, EN 55014-1, EN 55014-2, съобразно предписанията на директивите 2006/42/ЕО, 2004/108/ЕО.



Winnenden, 2011-08-10

Rainer Kumpf

Manager Product Development

Упълномощен за съставяне на техническата документация

### УКАЗАНИЯ ЗА РАБОТА

Никога не задействайте превключвателя на скоростите при включена машина, а само когато машината е спряла.

### АКУМУЛАТОРИ

Новите сменяеми акумулатори достигат пълния си капацитет след 4-5 цикъла на зареждане и разреждане. Акумулатори, които не са ползвани по-дълго време, преди употреба да се дозаредят.

Температура над 50°C намалява мощността на акумулатора. Да се избягва по-продължително нагряване на сълънце или от отопление.

Поддържайте чисти присъединителните контакти на зарядното устройство и на акумулатора.

### ПОДДРЪЖКА

Да се използват само аксесоари на AEG и резервни части на. Елементи, чията подмяна не е описана, да се дадат за подмяна в сервис на AEG (вижте брошурата „Гаранция и адреси на сервиси“).

При необходимост можете да поискате за уреда от Вашия сервис или директно от AEG Electric Tools GmbH, Max-Eyth-Straße 10, D-71364 Winnenden, Germany, чертеж за в случай на експлозия, като посочите типа на машината и десетцифрения номер върху заводската табелка.

### СИМВОЛИ



Преди пускане на уреда в действие моля прочетете внимателно инструкцията за използване.



ВНИМАНИЕ! ПРЕДУПРЕЖДЕНИЕ! ОПАСНОСТ



Преди започване на каквито е да работи по машината извадете акумулатора.



Аксесоари - Не се съдържат в обема на доставката, препоръчвано допълнение от програмата за аксесоари.



Не изхвърляйте електроинструменти при битовите отпадъци! Съобразно Европейска директива 2002/96/ЕО за стари електрически и електронни уреди и нейното реализиране в националното законодателство изхабените електроинструменти трябва да се събират отделно и да се предават в пункт за екологосъобразно рециклиране.

**български**

	<b>BS 12G</b>	<b>BS 14G</b>	<b>BSB 12G</b>	<b>BSB 14G</b>
Capacitate de găurire în oțel .....	10 mm	10 mm	10 mm	10 mm
Capacitate de găurire în oțel (cu mandrină de mare viteză (accessoriu) 1,5 - 13 mm) .....	-	13 mm	-	13 mm
Capacitate de găurire în lemn .....	30 mm	32 mm	30 mm	32 mm
Capacitate de găurire în lemn (cu mandrină de mare viteză (accessoriu) 1,5 - 13 mm) .....	-	32 mm	-	32 mm
Capacitate de perforare în cărămidă și țiglă .....	-	-	6 mm	8 mm
Șuruburi pt. lemn (fără pregăurire) .....	4,2 mm	4,2 mm	4,2 mm	4,2 mm
Viteza de mers în gol , a 1-a treaptă .....	0-350 min <sup>-1</sup>	0-400 min <sup>-1</sup>	0-350 min <sup>-1</sup>	0-400 min <sup>-1</sup>
Viteza de mers în gol, a 2-a treaptă .....	0-1350 min <sup>-1</sup>	0-1400 min <sup>-1</sup>	0-1350 min <sup>-1</sup>	0-1400 min <sup>-1</sup>
Viteza de mers în gol, a 2-a treaptă (Li-Ion) .....	-	0-1500 min <sup>-1</sup>	-	0-1500 min <sup>-1</sup>
Rata de percuție sub sarcina max. ....	-	-	20 250 min <sup>-1</sup>	21 000 min <sup>-1</sup>
Rata de percuție sub sarcina max. (Li-Ion) .....	-	-	-	22 500 min <sup>-1</sup>
Cuplu * .....	30 Nm	32 Nm	30 Nm	32 Nm
Cuplu * (Li-Ion) .....	-	36 Nm	-	36 Nm
Tensiune acumulator .....	12 V	14,4 V	12 V	14,4 V
Interval de deschidere burghiu .....	1-10 mm	1-10 mm	1-10 mm	1-10 mm
Interval de deschidere burghiu .....	-	1,5-13 mm	-	1,5-13 mm
Greutate cu baterie (1.4 Ah) .....	1,65 kg	1,95 kg	1,8 kg	2,1 kg
Greutate cu baterie (1.5 Ah Li-Ion) .....	-	1,52 kg	-	1,65 kg

**Informație privind zgomotul/vibrațiile**

Valori măsurate determinate conform EN 60 745.

Nivelul de zgomot evaluat cu A al aparatului este tipic de:

Nivelul presiunii sonore .....	90 dB(A)	90 dB(A)	90 dB(A)	90 dB(A)
Nivelul sunetului .....	101 dB(A)	101 dB(A)	101 dB(A)	101 dB(A)

**Purtați căști de protecție**

Valorile totale de oscilație (suma vectorială pe trei direcții determinate conform normei EN 60745).

Valoarea emisiei de oscilații a<sub>h</sub>

Găurit cu percuție în beton .....	-	-	15,6 m/s <sup>2</sup>	13,7 m/s <sup>2</sup>
Nesiguranță K .....	-	-	1,5 m/s <sup>2</sup>	1,5 m/s <sup>2</sup>
Găurit în metal .....	< 2,5 m/s <sup>2</sup>	< 2,5 m/s <sup>2</sup>	< 2,5 m/s <sup>2</sup>	< 2,5 m/s <sup>2</sup>
Nesiguranță K .....	1,5 m/s <sup>2</sup>	1,5 m/s <sup>2</sup>	1,5 m/s <sup>2</sup>	1,5 m/s <sup>2</sup>
Înșurubare .....	< 2,5 m/s <sup>2</sup>	< 2,5 m/s <sup>2</sup>	< 2,5 m/s <sup>2</sup>	< 2,5 m/s <sup>2</sup>
Nesiguranță K .....	1,5 m/s <sup>2</sup>	1,5 m/s <sup>2</sup>	1,5 m/s <sup>2</sup>	1,5 m/s <sup>2</sup>

\* Măsurată conform normei AEG N 877318

**AVERTISMENT**

Gradul de oscilație indicat în prezentele instrucțiuni a fost măsurat în conformitate cu o procedură de măsurare normală prin norma EN 60745 și poate fi folosit pentru a compara unelte electrice între ele. El se pretează și pentru o evaluare provizorie a solicitării la oscilații.

Gradul de oscilație indicat reprezintă aplicațiile principale ale uneltelor electrice. În cazul în care însă uneltele electrice au fost folosite pentru alte aplicații, ori au fost folosite unelte de muncă diferite ori acestea nu au fost supuse unei suficiente inspecții de întreținere, gradul de oscilație poate fi diferit.

Acest fapt poate duce la o creștere netă a solicitărilor la oscilații dealungul întregii perioade de lucru. În scopul unei evaluări exacte a solicitării la oscilații, urmează să fie luate în considerare și perioadele de timp în care aparatul a fost oprit ori funcționează dar, în realitate, el nu este folosit în mod practic. Acest fapt poate duce la o reducere netă a solicitărilor la oscilații dealungul întregii perioade de lucru.

Stabiliți măsuri de siguranță suplimentare în scopul protecției utilizatorului de efectele oscilațiilor, de exemplu: inspecție de întreținere a uneltelor electrice și a celor de muncă, păstrarea caldă a mâinilor, organizarea proceselor de muncă.



**⚠️ AVERTISMENT! Citiți toate avizele de siguranță și indicațiile, chiar și cele din borșura alăturată.** Nerespectarea indicațiilor de avertizare și a instrucțiunilor poate provoca electrocutare, incendii și/sau răniri grave.

**Păstrați toate indicațiile de avertizare și instrucțiunile în vederea utilizărilor viitoare.**

### INSTRUCȚIUNI DE SECURITATE

**Purtați aparatoarea de urechi.** Expunerea la zgomot poate duce la pierderea auzului.

**Țineți aparatul de mânerul izolat când executați lucrări la care scula tăietoare poate nimeri peste conductori electrici ascunși sau peste cablul propriu.** Intrarea în contact a sculei tăietoare cu o linie electrică prin care circulă curent poate pune sub tensiune și componente metalice ale aparatului și să ducă la electrocutare.

Purtați întotdeauna ochelari de protecție atunci când utilizați mașina. Se recomandă purtarea mănușilor, a încălțăminte solide nealunecoase și sortului de protecție.

Praful care apare când se lucrează cu această sculă poate fi dăunător sănătății și prin urmare nu trebuie să atingă corpul. Purtați o mască de protecție corespunzătoare împotriva prafului.

Rumegeșul și spanul nu trebuie îndepărtate în timpul funcționării mașinii.

Când se lucrează pe pereți, tavan sau dușumea, aveți grijă să evitați cablurile electrice și țevile de gaz sau de apă.

Îndepărtați acumulatorul înainte de începerea lucrului pe mașina

Nu aruncați acumulatorii uzați la containerul de rezidui menajere și nu îi ardeți. AEG Distributors se oferă să recupereze acumulatorii vechi pentru protecția mediului înconjurător.

Nu depozitați acumulatorul împreună cu obiecte metalice (risc de scurtcircuit)

Folosiți numai încărcătoare System GBS pentru încărcarea acumulatorilor System GBS. Nu folosiți acumulatori din alte sisteme.

Nu se permite introducerea nici unei piese metalice în locașul pentru acumulator al încărcătorului. (risc de scurtcircuit)

Nu deschideți niciodată acumulatorii și încărcătoarele și pastrați-le numai în încăperi uscate. Pastrați-le întotdeauna uscate.

Acidul se poate scurge din acumulatorii deteriorați la încălziri sau temperaturi extreme. În caz de contact cu acidul din acumulator, spălați imediat cu apă și săpun. În caz de contact cu ochii, clătiți cu atenție timp de cel puțin 10 minute și apelați imediat la îngrijire medicală.

### CONDIȚII DE UTILIZARE SPECIFICATE

BS 12G, BS 14G: Mașina de găurit / de înșurubat cu acumulator este destinată operațiunilor de gaurire și înșurubare, pentru utilizare independentă, departe de sursele de alimentare.

BSB 12G, BSB 14G: Mașina de găurit / de înșurubat, cu percuție cu acumulator este destinată găuririi, percutante precum și înșurubării, la utilizare independentă departe de surse de alimentare.

Nu utilizați acest produs în alt mod decât cel stabilit pentru utilizare normală

### DECLARAȚIE DE CONFORMITATE

Declarăm pe propria răspundere că acest produs este în conformitate cu următoarele standarde sau documente standardizate EN 60745, EN 55014-1, EN 55014-2, în conformitate cu reglementările 2006/42/EC, 2004/108/EC.



Winnenden, 2011-08-10

Rainer Kumpf

Manager Product Development

Împuternicit să elaboreze documentația tehnică.

### INDICAȚII DE LUCRU

Nu acționați niciodată întrerupătorul motorului în timp ce mașina este în funcțiune. Folosiți întrerupătorul numai când mașina este oprită.

### ACUMULATORI

Noile pachete de acumulatori ating capacitatea totală de încărcare după 4-5 încărcări și descărcări. Acumulatorii care nu au fost utilizați o perioadă de timp trebuie reîncărcați înainte de utilizare.

Temperatura mai mare de 50°C (122°F) reduce performanța acumulatorului. Evitați expunerea prelungită la căldură sau radiație solară (risc de supraîncălzire)

Contactele încărcătoarelor și acumulatorilor trebuie păstrate curate.

### INTREȚINERE

Utilizați numai accesoriile și piesele de schimb AEG. Dacă unele din componente care nu au fost descrise trebuie înlocuite, vă rugăm contactați unul din agenții de service AEG (vezi lista noastră pentru service / garanție)

Dacă este necesară, se poate comanda o imagine descompusă a sculei. Vă rugăm menționați numărul art. Precum și tipul mașinii tipărit pe etichetă și comandați desenul la agenții de service locali sau direct la AEG Electric Tools GmbH, Max-Eyth-Straße 10, D-71364 Winnenden, Germany.

### SIMBOLURI



Vă rugăm citiți cu atenție instrucțiunile înainte de pornirea mașinii



PERICOL! AVERTIZARE! ATENȚIE!



Îndepărtați acumulatorul înainte de începerea lucrului pe mașina



Accesorii - Nu este inclus în echipamentul standard, disponibil ca accesorii



Nu aruncați scule electrice în gunoajul menajer! Conform directivei europene nr. 2002/96/EC referitor la aparate electrice și electronice uzate precum și la transpunerea acestora în drept național, sculele electrice trebuie colectate separat și introduse într-un circuit de reciclare ecologic.

România

	BS 12G	BS 14G	BSB 12G	BSB 14G
Капацитет на дупчење во челик.....	10 mm	10 mm	10 mm	10 mm
Капацитет на дупчење во челик (со продолжеток 1,5 - 13 mm).....	-	13 mm	-	13 mm
Капацитет на дупчење во дрво.....	30 mm	32 mm	30 mm	32 mm
Капацитет на дупчење во дрво (со продолжеток 1,5 - 13 mm).....	-	32 mm	-	32 mm
Капацитет на дупчење во тули и плочки.....	-	-	6 mm	8 mm
Шрафови во дрво (без предходно дупчење).....	4,2 mm	4,2 mm	4,2 mm	4,2 mm
Брзина без оптоварување, 1ва брзина.....	0-350 min <sup>-1</sup>	0-400 min <sup>-1</sup>	0-350 min <sup>-1</sup>	0-400 min <sup>-1</sup>
Брзина без оптоварување, 2ра брзина.....	0-1350 min <sup>-1</sup>	0-1400 min <sup>-1</sup>	0-1350 min <sup>-1</sup>	0-1400 min <sup>-1</sup>
Брзина без оптоварување, 2ра брзина (Li-Ion).....	-	0-1500 min <sup>-1</sup>	-	0-1500 min <sup>-1</sup>
Јачина на удар максимално под оптоварување.....	-	-	20 250 min <sup>-1</sup>	21 000 min <sup>-1</sup>
Јачина на удар максимално под оптоварување (Li-Ion).....	-	-	-	22 500 min <sup>-1</sup>
Спрега торк *.....	30 Nm	32 Nm	30 Nm	32 Nm
Спрега торк * (Li-Ion).....	-	36 Nm	-	36 Nm
Волтажа на батеријата.....	12 V	14,4 V	12 V	14,4 V
Опсег на отворање на бушотина.....	1-10 mm	1-10 mm	1-10 mm	1-10 mm
Опсег на отворање на бушотина.....	-	1,5-13 mm	-	1,5-13 mm
Тежина со батерија (1.4 Ah).....	1,65 kg	1,95 kg	1,8 kg	2,1 kg
Тежина со батерија (1.5 Ah Li-Ion).....	-	1,52 kg	-	1,65 kg

### Информација за бучавата/вибрациите

Измерените вредности се одредени согласно стандардот EN 60 745.

A-оценетото ниво на бучава на апаратот типично изнесува:

Ниво на звучен притисок. (K=3dB(A)).....90 dB(A).....90 dB(A).....90 dB(A).....90 dB(A)

Ниво на јачина на звук. (K=3dB(A)).....101 dB(A).....101 dB(A).....101 dB(A).....101 dB(A)

### Носте штитник за уши.

Вкупни вибрациски вредности (векторски збир на трите насоки) пресметани согласно EN 60745.

Вибрациска емисиона вредност a<sub>b</sub>

Перкусиско дупчење во бетон.....	-	-	15,6 m/s <sup>2</sup>	13,7 m/s <sup>2</sup>
Несигурност K.....	-	-	1,5 m/s <sup>2</sup>	1,5 m/s <sup>2</sup>
Дупчење во метал.....	< 2,5 m/s <sup>2</sup>	< 2,5 m/s <sup>2</sup>	< 2,5 m/s <sup>2</sup>	< 2,5 m/s <sup>2</sup>
Несигурност K.....	1,5 m/s <sup>2</sup>	1,5 m/s <sup>2</sup>	1,5 m/s <sup>2</sup>	1,5 m/s <sup>2</sup>
Зашрафување.....	< 2,5 m/s <sup>2</sup>	< 2,5 m/s <sup>2</sup>	< 2,5 m/s <sup>2</sup>	< 2,5 m/s <sup>2</sup>
Несигурност K.....	1,5 m/s <sup>2</sup>	1,5 m/s <sup>2</sup>	1,5 m/s <sup>2</sup>	1,5 m/s <sup>2</sup>

\* Мерни во зависност од АЕГ норма N 877318

### ПРЕДУПРЕДУВАЊЕ

Нивото на осцилација наведено во овие инструкции е измерено во согласност со мерните постапки нормирани во EN 60745 и може да биде употребено за меѓусебна споредба на електро-алати. Ова ниво може да се употреби и за привремена проценка на оптоварувањето на осцилацијата.

Наведеното ниво на осцилација ги репрезентира главните намени на електро-алатот. Но, доколку електро-алатот се употребува за други намени, со отстапувачки додатоци или со несоодветно одржување, нивото на осцилација може да отстапи. Тоа може значително да го зголеми оптоварувањето на осцилацијата за време на целиот работен период.

За прецизна проценка на оптоварувањето на осцилацијата предвид треба да бидат земени и времињата, во коишто апаратот е исклучен или работи, но фактички не се употребува. Тоа може значително да го намали оптоварувањето на осцилацијата за време на целиот работен период

Утврдете дополнителни безбедносни мерки за заштита на операторот од влијанието на осцилациите, како на пример: одржување на електро-алатот и на додатоци кон електро-алатот, одржување топли раце, организација на работните процеси.



Mak

**⚠ ПРЕДУПРЕДУВАЊЕ! Прочитајте ги сите безбедносни упатства и инструкции.** Заборавање на почитувањето на безбедносните упатства и инструкции можат да предизвикаат електричен удар, пожар и/или тешки повреди.

**Сочувајте ги сите безбедносни упатства и инструкции за во иднина.**

## УПАТСТВО ЗА УПОТРЕБА

**Носете штитник за уши.** Влијанието на бука може да предизвика губење на сетилото за слух.

**Држете го електричниот алат за издадените површини при изведување на операции при кои алатот за сечење можат да дојдат во контакт со скриени жици или сопствениот гајтан.** Контакт со жица под напон исто така ќе направи проводници од металните делови и оној кој раукава со алатот ќе доживее струен удар.

Секогаш носете ракавици кога ја користите машината. Исто така препорачливо е да се носат очила, цврсти чевли кои не се лизгаат и престилка.

Пршината која се создава при користење на овој алат може да биде штетна по здравјето. Не ја вдишувајте. Носете соодветна заштитна маска.

Прашната и струготините не смеат да се одстрануваат додека е машината работи.

Кога работите на сидови, таван или под внимавајте да ги избегнете електричните, гасните и водоводни инсталации.

Извадете го батерискиот склоп пред отпочнување на каков и да е зафат врз машината.

Не ги оставајте искористените батерии во домашниот отпад и не горете ги. Дистрибутерите на АЕГ ги собираат старите батерии, со што ја штитат нашата околина.

Не ги чувајте батериите заедно со метални предмети (ризик од краток спој).

Користете исклучиво Систем GBS за полнење на батерии од GBS систем. Не користете батерии од друг систем.

Метални парчиња не смеат да навлезат во делот за полнење на батерија (ризик од краток спој).

Не ги отворајте насилно батериите и полначите, и чувајте ги само на суво место. Чувајте ги постојано суви.

Киселината од оштетените батериите може да истече при екстреман напон или температури. Доколку дојдете во контакт со исатата, измијте се веднаш со сапун и вода. Во случај на контакт со очите плакнете ги убаво најмалку 10 минути и задолжително одете на лекар.

## СПЕЦИФИЦИРАНИ УСЛОВИ НА УПОТРЕБА

BS 12G, BS 14G: Дупчалката на батерии/шрафцигерот е дизајниран за дупчење и зашрафување, независна употреба далеку од главното напојување.

BSB 12G, BSB 14G: Перкусионата дупчалка/шрафцигер батерија е дизајниран за дупчење, перкусионо дупчење, како и шрафцигер при независна употреба далеку од главното напојување.

Не го користете овој производ на било кој друг начин освен пропишаниот за нормална употреба.

## ЕУ-ДЕКЛАРАЦИЈА ЗА СООБРАЗНОСТ

Ние во целосна одговорност изјавуваме дека овој производ е во сообразност со следните стандарди и стандардизирани документи. EN 60745, EN 55014-1, EN 55014-2, и е во согласност со прописите 2006/42/EC, 2004/108/EC



Winnenden, 2011-08-10

Rainer Kumpf

Manager Product Development

Пономоштен за составување на техничката документација.

## РАБОТНИ УПАТСТВА

Никогаш не поместувајте го менувачот за брзина при вклучена машина, туку само во состојба на мирување.

## БАТЕРИИ

Нови комплекти батерии постигнуваат целосен капацитет по 4-5 циклуса на полнење и празнење. Подолг период неупотребувани комплекти батерии да се наполат пред употреба.

Температура повисока од 50°C (122°F) го намалуваат траењето на батериите. Избегнувајте подолго изложување на батериите на високи температури или сонце (ризик од прегревање).

Клемите на полначот и батериите мора да бидат чисти.

## ОДРЖУВАЊЕ

Користете само АЕГ додаточи и резервни делови. Доколку некои од компонентите кои не се опишани треба да бидат заменети, Ве молиме контактирајте ги сервисните агенти на АЕГ (консултирајте ја листата на адреси).

Доколку е потребно можно е да биде набавен детален приказ на алатот. Ве молиме наведете го бројот на артикулот како и типот на машина кој е отпечатен на етикетата и порачајте ја скицата кај локалниот застапник или директно кај: AEG Electric Tools GmbH, Max-Eyth-Strasse 10, D-71364 Winnenden, Germany.

## СИМБОЛИ



Ве молиме пред да ја стартувате машината обрнете внимание на упатствата за употреба.



ВНИМАНИЕ! ПРЕДУПРЕДУВАЊЕ! ОПАСНОСТ!



Извадете го батерискиот склоп пред отпочнување на каков и да е зафат врз машината.



Дополнителна опрема - Не е вклучена во стандардната, а достапна е како додаток.



Не ги фрлајте електричните апарати заедно со другиот домашен отпад! Европска регулатива 2002/96/EC за одлагање на електрична и електронска опрема и се применува согласно националните закони. Електричните апарати кои го достигнале крајот на својот животен век мора да бидат одвоено собрани и вратени во соодветна рециклажна установа.

Македонски

	BS 12G	BS 14G	BSB 12G	BSB 14G
钻孔直径在钢材	10 mm	10 mm	10 mm	10 mm
钻孔直径在钢材 (有夹头 1,5 - 13 mm)	-	13 mm	-	13 mm
钻孔直径在木材	30 mm	32 mm	30 mm	32 mm
钻孔直径在木材 (有夹头 1,5 - 13 mm)	-	32 mm	-	32 mm
钻孔直径在砖块和石灰砂石	-	-	6 mm	8 mm
木材螺丝 (不必先钻孔)	4,2 mm	4,2 mm	4,2 mm	4,2 mm
第一档的无负载转速	0-350 min <sup>-1</sup>	0-400 min <sup>-1</sup>	0-350 min <sup>-1</sup>	0-400 min <sup>-1</sup>
第二档的无负载转速	0-1350 min <sup>-1</sup>	0-1400 min <sup>-1</sup>	0-1350 min <sup>-1</sup>	0-1400 min <sup>-1</sup>
第二档的无负载转速 (Li-Ion)	-	0-1500 min <sup>-1</sup>	-	0-1500 min <sup>-1</sup>
负载撞击次数最大	-	-	20 250 min <sup>-1</sup>	21 000 min <sup>-1</sup>
负载撞击次数最大 (Li-Ion)	-	-	-	22 500 min <sup>-1</sup>
扭力 *	30 Nm	32 Nm	30 Nm	32 Nm
扭力 * (Li-Ion)	-	36 Nm	-	36 Nm
蓄电池电压	12 V	14,4 V	12 V	14,4 V
夹头张开范围	1-10 mm	1-10 mm	1-10 mm	1-10 mm
夹头张开范围	-	1,5-13 mm	-	1,5-13 mm
含蓄电池的重量 (1.4 Ah)	1,65 kg	1,95 kg	1,8 kg	2,1 kg
含蓄电池的重量 (1.5 Ah Li-Ion)	-	1,52 kg	-	1,65 kg

**噪音/振动信息**

本测量值符合 EN 60 745 条文的规定。

器械的标准A-值噪音级为：

## 音压值 (K=3dB(A))	90 dB(A)	90 dB(A)	90 dB(A)	90 dB(A)
## 音量值 (K=3dB(A))	101 dB(A)	101 dB(A)	101 dB(A)	101 dB(A)

**请戴上护耳罩！**

依欧盟EN 60745 标准确定的振荡总值（三方向矢量和）。

**ah-振荡发射值**

混凝土冲击式穿孔	-	-	15,6 m/s <sup>2</sup>	13,7 m/s <sup>2</sup>
K-不可靠性	-	-	1,5 m/s <sup>2</sup>	1,5 m/s <sup>2</sup>
金属钻孔	< 2,5 m/s <sup>2</sup>	< 2,5 m/s <sup>2</sup>	< 2,5 m/s <sup>2</sup>	< 2,5 m/s <sup>2</sup>
K-不可靠性	1,5 m/s <sup>2</sup>	1,5 m/s <sup>2</sup>	1,5 m/s <sup>2</sup>	1,5 m/s <sup>2</sup>
拧螺丝	< 2,5 m/s <sup>2</sup>	< 2,5 m/s <sup>2</sup>	< 2,5 m/s <sup>2</sup>	< 2,5 m/s <sup>2</sup>
K-不可靠性	1,5 m/s <sup>2</sup>	1,5 m/s <sup>2</sup>	1,5 m/s <sup>2</sup>	1,5 m/s <sup>2</sup>

\* 根据 AEG N 877318 号检验标准所测得

本规程列出的依欧盟EN 60745 标准一项标准测量方法测量的振荡级也可用于电动工具比较并适合于临时振荡负荷估计。

该振荡级代表电动工具的主要应用。电动工具的其他应用，不正确的工作工具或欠缺维护可造成振荡级偏差。此可明确提高总工作期间的振荡负荷。

正确地估计一定工作期间的振荡负荷也要考虑到工具关闭或接通而不使用的期间。此可明确减少总工作期间的振荡负荷。

为提高操作人员对振荡作用的保护得规定补充安全措施：电动工具及工作工具的维护，温手，工作过程组织等。

**⚠ 注意！务必仔细阅读所有安全说明和安全指示（应仔细阅读附上的小册子）。如未确实遵循警告提示和指示，可能导致电击、火灾并且/或其他的严重伤害。妥善保存所有的警告提示和指示，以便日后查阅。**

**特殊安全指示**

**请戴上耳罩。** 所发生的噪声会导致听力损失。

**切割工具会碰到隐藏电线或自己的电缆时，得将器械握住于其绝缘把手表面。** 得将器械握住于其绝缘把手表面。

操作机器时务必佩戴护目镜。最好也穿戴工作手套、坚固防滑的鞋具和工作围裙。

工作尘往往有害健康，不可以让工作尘接触身体。工作时请佩戴合适的防尘面具。

如果机器仍在运转，切勿清除其上的木屑或金属碎片。在墙壁、天花板或地板工作时，必须特别注意被埋隐的电线、瓦斯管和水管。

在机器上进行任何修护工作之前，先拿出蓄电池。

损坏的蓄电池不可以丢入火中或一般的家庭垃圾中。AEG 提供了符合环保要求的回收项目：请向您的专业经销商索取有关详情。

蓄电池不可以和金属物体存放在一起（可能产生短路）。

GBS 系列的蓄电池只能和 GBS 系列的充电器配合使



中文



用。不可以使用本充电器为其它系列的电池充电。  
充电器的充电格中，不可以存在任何金属物质（可能产生短路）。

不可拆开蓄电池和充电器。蓄电池和充电器必须储藏在干燥的空间，勿让湿气渗入。

在过度超荷或极端的温度下，可能从损坏的蓄电池中流出液体。如果触摸了此液体，必须马上使用肥皂和大量清水冲洗。如果此类流体侵入眼睛，马上用清水彻底清洗眼睛（至少冲洗 10 分钟），接着即刻就医治疗。

### 正确地使用机器

BS 12G, BS 14G: 可以使用本电动螺丝起子钻进行钻孔和松、紧螺丝作业，并且不需连接电源。

BSB 12G, BSB 14G: 可以使用本电动冲击螺丝起子钻进行正常钻、震动钻和松、紧螺丝作业，并且不需连接电源。

请依照本说明书的指示使用此机器。

### 工作指示

开动机器后千万不可以使用换挡器，待机器完全静止时才可以换挡。

### 蓄电池

新的蓄电池经过 4 - 5 次的充、放电后，可达到最大的电容量。长期储放的蓄电池，必须先充电再使用。

如果周围环境的温度超过摄氏 50 度，蓄电池的功能会减弱。勿让蓄电池长期暴露在阳光或暖气下。

充电器和蓄电池的接触点都必须保持干净。

### 维修

只能使用 AEG 的配件和零件。缺少检修说明的机件如果损坏了，必须交给 AEG 的顾客服务中心更换（参考手册“保证书 / 顾客服务中心地址”）。

如果需要机器的分解图，可以向您的顾客服务中心或直接向 AEG Electric Tools GmbH, Max-Eyth-Straße 10, D-71364 Winnenden, Germany。索件时必须提供以下资料：机型和机器铭牌上的十位数号码。

### 符号



使用本机器之前请详细阅读使用说明书。



请注意！警告！危险！



在机器上进行任何修护工作之前，先拿出蓄电池。



配件 - 不包含在供货范围中。请另外从配件目录选购。



不可以把损坏的电动工具丢弃在家庭垃圾中！根据被欧盟各国引用的有关旧电子机器的欧洲法规 2002/96/EC，必须另外收集旧电子机器，并以符合环保规定的方式回收再利用。



## نصائح العمل

لا تستخدم مفتاح السرعة أثناء تشغيل الآلة. استخدم المفتاح فقط عندما تكون الآلة متوقفة عن العمل تماماً.

## البطاريات

تصل البطارية الجديدة لسعة الشحن الكاملة بعد 4-5 مرات شحن وتفرغ للشحن. يجب إعادة شحن البطارية التي لم يتم استخدامها منذ فترة. قبل الاستخدام.

تقلل درجات الحرارة التي تتجاوز 50° سيلزيوس (122° فهرنهايت) من أداء البطارية. تجنب التعرض الزائد للحرارة أو أشعة الشمس (خطر التسخين)..

يجب الحفاظ على محتويات الشواحن و البطاريات نظيفة.

## الصيانة

استخدم ملحقات AEG وقطع الغيار التابعة لها فقط. إذا كانت المكونات التي يجب تغييرها غير مذكورة، يرجى الاتصال بأحد عملاء صيانة AEG (انظر قائمة عناوين الضمان/الصيانة الخاصة بنا)..

يمكن طلب تصميم الآلة، وذلك إذا ما دعت الحاجة لذلك، يرجى ذكر رقم المقال كذلك نوع الآلة المكتوب على البطاقة وطلب التصميم لدى عملاء الخدمة المحليين أو مباشرة على: AEG Electric Tools GmbH Max-Eyth-Str. 10, D-71364 Winnenden, Germany

## الرموز



يرجى قراءة التعليمات بعناية قبل بدء تشغيل الجهاز.



تنبيه! تحذير! خطر!



انزع البطارية قبل التعامل مع الجهاز.



المالحق - ليس مدرجاً كمعدة قياسية. متوفر كملحق.



لا تتخلص من الأجهزة الكهربائية مع مواد النفايات المنزلية! امتثالاً للتوجيهات الأوروبية EC/2002/96 حول النفايات الكهربائية والمعدات الإلكترونية وتطبيقها وفقاً للقانون الوطني، فإنه يجب جمع الأجهزة الكهربائية التي وصلت لنهاية فترة استخدامها كل على حدة وإعادتها إلى منشأة إعادة تدوير صديق للبيئة.

**تحذير! اقرأ جميع تحذيرات السلامة وجميع التعليمات، بما فيها الموجودة بالكتاب المرفق.** قد يؤدي الفشل في مراعاة التحذيرات والتعليمات إلى التعرض للإصابة بصدمة كهربية أو الحرق و/أو إصابة خطيرة.  
**احفظ جميع التنبيهات والتعليمات للرجوع إليها مستقبلاً.**

## عليمات السلامة

ارتد وقيات الأذن، ارتد قد بسبب التعرض للضوضاء إلى فقدان السمع.

امسك الآلة الكهربائية من أسطح القريض المعزولة فقط وذلك عند القيام بعملية قد يلمس فيها أحد ملحقات آلة القطع أسلاك مغطاة أو السلك الخاص بها. إن ملامسة أسلاك «موصلة للكهرباء» سوف يجعل الأجزاء المعدنية المكشوفة للآلة الكهربائية «موصلة للكهرباء» ما يجعل التشغيل عرضة لصدمة كهربائية.

ارتد نظارات الوقاية عند استخدام الجهاز دائماً. ينصح بارتداء قفازات الوقاية، الأذنية القوية غير المنزلفة والمتر.

قد تكون الأثرية الناتجة عن استخدام هذه الآلة ضارة بالصحة. لا تستنشق هذه الأثرية. ارتد قناعاً واقياً من الأثرية مناسباً.

لا يجب إزالة النشارة والشظايا أثناء تشغيل الآلة.

عند العمل في سقف الحوائط أو الأرضية، توخ الحذر، وجنب الكابلات الكهربائية وأنابيب الغاز أو المياه.

انزع البطارية قبل التعامل مع الجهاز.

لا تتخلص من البطاريات المستعملة مع النفايات المنزلية أو بحرقها. يقدم موزعو AEG خدمة استعادة البطاريات القديمة لحماية البيئة.

لا تقم بتخزين البطارية مع الأشياء المعدنية (خطر قصر الدائرة).. استخدم فقط شواحن System GBS لشحن بطاريات System GBS. لا تستخدم بطاريات من أنظمة أخرى.

يجب تجنب دخول أي أجزاء معدنية في قسم البطارية الخاصة بالشاحن (خطر الماس الكهربائي).. لا تقم أبداً بفتح قفل البطارية والشواحن ولا تخزنهم إلا في غرف جافة. وحافظ عليها جاف طوال الوقت.

قد ينسرب حامض البطارية من البطاريات التالفة في ظروف الحمل الزائد بدرجة كبيرة أو في درجات الحرارة الشديدة. في حالة ملامسة حامض البطارية اغسل بيدك فوراً بالماء والصابون. في حالة ملامسة السائل للعينين اشطفهما جيداً لمدة 10 دقائق على الأقل واطلب العناية الطبية فوراً.

## شروط الاستخدام المحددة

BS 12G, BS 14G: يمكن استخدام المثقاب ذو البطارية/مفك المسامير في الحفر وفك المسامير حيث يمكن استخدامه بشكل مستقل دون الحاجة إلى التوصيل بمقيس الطاقة.

BSB 12G, BSB 14G: صُمم المثقاب الدقاق/مفك البراغي الذي يعمل بالبطارية الكهربائية لأغراض الحفر. والحفر الدقاق بالإضافة إلى فك البراغي للاستخدام الحر بعيداً عن الحاجة إلى التوصيل بمصدر الطاقة.

لا تستخدم هذا المنتج بأي طريقة أخرى غير مصرح بها للاستخدام العادي.

## إعلان المطابقة - الاتحاد الأوروبي

نعلن وعلى مسئوليتنا المنفردة أن هذا المنتج متطابق مع المعايير التالية أو مع الوثائق القياسية. للمقاييس الأوروبية EN 60745 و EN 55014-1 و EN 55014-2، ووفقاً للوائح الاتحاد الأوروبي 2006/42 و 2004/108



Winnenden, 2011-08-10

*Rainer Kumpf*

Rainer Kumpf

Manager Product Development

معمتمة للمطابقة مع الملف الفني

BSB 14G	BSB 12G	BS 14G	BS 12G	
mm 10	mm 10	mm 10	mm 10	قدرة الحفر في المعادن
mm 13	-	mm 13	-	قدرة الحفر في المعادن (باستخدام الطرف 1,5 - 13 mm)
mm 32	mm 30	mm 32	mm 30	قدرة الحفر في الخشب
mm 32	-	mm 32	-	قدرة الحفر في الخشب (باستخدام الطرف 1,5 - 13 mm)
mm 8	mm 6	mm 8	mm 6	قدرة الحفر في الطوب والبلاط
mm 4,2	mm 4,2	mm 4,2	mm 4,2	مسامير الخشب (دون الحفر المسبق)
min <sup>-1</sup> 0-400	min <sup>-1</sup> 0-350	min <sup>-1</sup> 0-400	min <sup>-1</sup> 0-350	السرعة مع عدم وجود حمل. الترس الأول
min <sup>-1</sup> 0-1400	min <sup>-1</sup> 0-1350	min <sup>-1</sup> 0-1400	min <sup>-1</sup> 0-1350	السرعة مع عدم وجود حمل. الترس الثاني
min <sup>-1</sup> 0-1500	-	min <sup>-1</sup> 0-1500	-	السرعة مع عدم وجود حمل. الترس الثاني (Li-Ion)
min <sup>-1</sup> 000 21	min <sup>-1</sup> 250 20	-	-	معدل الحفر بالدق تحت أقصى حمل.
min <sup>-1</sup> 500 22	-	-	-	معدل الحفر بالدق تحت أقصى حمل. (Li-Ion)
Nm 32	Nm 30	Nm 32	Nm 30	العزم *
Nm 36	-	Nm 36	-	العزم * (Li-Ion)
V 14,4	V 12	V 14,4	V 12	فولطية البطارية
mm 1-10	mm 1-10	mm 1-10	mm 1-10	نطاق طرف المثقاب
mm 1,5-13	-	mm 1,5-13	-	نطاق طرف المثقاب
kg 2,1	kg 1,8	kg 1,95	kg 1,65	وزن الجهاز بالبطارية (Ah 1.4)
kg 1,65	-	kg 1,52	-	وزن الجهاز بالبطارية (Ah Li-Ion 1.5)

## معلومات الضوضاء/الذبذبات

القيم التي تم قياسها محددة وفقاً للمعايير الأوروبية EN 60745

مستويات ضوضاء الجهاز ترجيحاً بشكل نموذجي كالتالي:

dB(A) 90	dB(A) 90	dB(A) 90	dB(A) 90	مستوى ضغط الصوت (K=3 dB(A))
dB(A) 101	dB(A) 101	dB(A) 101	dB(A) 101	مستوى شدة الصوت (K=3 dB(A))

ارتد وأقيبات الأذن!

قيم الذبذبات الإجمالي (مجموع الكميات الموجهة في المحاور الثلاثة) محددة وفقاً للمعايير الأوروبية EN 60745.

قيمة انبعاث الذبذبات (a)

m/s <sup>2</sup> 13,7	m/s <sup>2</sup> 15,6	-	-	الحفر الدقاق في الخرسانة
m/s <sup>2</sup> 1,5	m/s <sup>2</sup> 1,5	-	-	الارتياح في القياس
m/s <sup>2</sup> 2,5 >	m/s <sup>2</sup> 2,5 >	m/s <sup>2</sup> 2,5 >	m/s <sup>2</sup> 2,5 >	ثقب المعادن
m/s <sup>2</sup> 1,5	m/s <sup>2</sup> 1,5	m/s <sup>2</sup> 1,5	m/s <sup>2</sup> 1,5	الارتياح في القياس
m/s <sup>2</sup> 2,5 >	m/s <sup>2</sup> 2,5 >	m/s <sup>2</sup> 2,5 >	m/s <sup>2</sup> 2,5 >	ربط المسامير
m/s <sup>2</sup> 1,5	m/s <sup>2</sup> 1,5	m/s <sup>2</sup> 1,5	m/s <sup>2</sup> 1,5	الارتياح في القياس

\* تم قياسه وفقاً لمعيار AEG N 877318

## تحذير

تم قياس مستوى انبعاث الذبذبات الموجود بوثيقة المعلومات هذه وفقاً للاختبار القياسي وفقاً للمعايير الأوروبية EN 60745 ويمكن استخدامه لمقارنة جهاز بغيره. كما يمكن استخدامه لعرض تقييم تمهيدي.

يمثل مستوى انبعاث الذبذبات المعلن عنه تطبيقات الجهاز الرئيسية، بالرغم من ذلك، فإنه إذا تم استخدام الجهاز لتطبيقات مختلفة، لمحفقات مختلفة أو لم يتم المحافظة عليه، فقد يختلف انبعاث الذبذبات، قد يزيد ذلك بصورة كبيرة من مستوى التعرض للذبذبات طوال فترة العمل الإجمالية.

يجب الوضع في الاعتبار عند تقدير مستوى التعرض للذبذبات مرات إيقاف الجهاز أو تشغيله لكن دون استخدامه في القيام مهمة. فقد يقل ذلك بصورة كبيرة من مستوى التعرض للذبذبات طوال فترة العمل الإجمالية.

تعرف على معايير السلامة الإضافية لحماية المشغل من آثار الذبذبات مثل: صيانة الجهاز والملحقات، الحفاظ على دفع الأيدي، وتنظيم نماذج العمل.

# AEG

# POWERTOOLS

[www.aeg-pt.com](http://www.aeg-pt.com)

(08.11)  
4931 4250 52



AEG Electric Tools GmbH  
Max-Eyth-Straße 10  
D-71364 Winnenden  
Germany