



CONTROLS



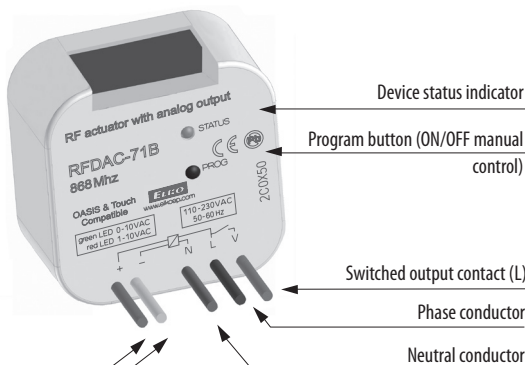
EAN code

RFDAC-71B: 8595188142809

Technical data		RFDAC-71B
Supply voltage:		110 - 230 V AC / 50 - 60 Hz
Apparent input:		3 VA
Dissipated power:		1.2 W
Supply voltage tolerance:		+10 / -15 %
Potential-free analog output/max.current:		0(1)-10 V / 10 mA
Control:		
RF, by command from transmitter:		868 MHz
Manual control:		PROG (ON/OFF) button
Range in free space:		up to 200 m
Minimum control distance:		20 mm
Contact relay:		1x AgSnO ₂ , switches the phase conductor
Rated current:		16 A / AC1
Switching power:		4000VA / AC1
Switching voltage:		250V AC1
Mechanical service life:		3x10 ⁷
Electrical service life:		0.7x10 ⁵
Indication:		red LED / green LED
Output selection:		0(1)-10V / PROG button
Other data:		
Operating temperature:		-15 to + 50 °C
Operating position:		any*
Mounting:		free at lead-in wires
Protection:		IP 30
Overtoltage category:		III.
Contamination degree:		2
Terminals (CY wire, cross-section):		CY wire, cross section 3 x Ø 0.75 mm ² , 2 x Ø 2.5 mm ²
Length of terminals:		90 mm
Dimensions:		49 x 49 x 21 mm
Weight:		52 g
Related standards:		EN 60669, EN 300 220, EN 301 489
		Directives RTTE, Gov. Reg. No. 426/2000Sb(Directives 1999/EC)

* For more information, see p. 36

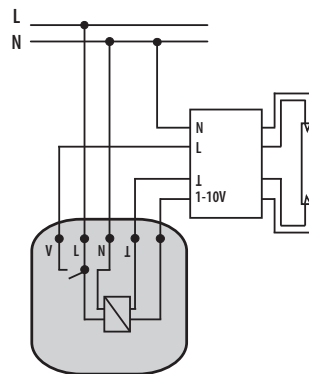
Device description



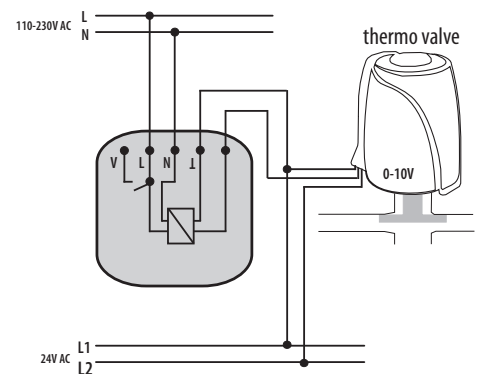
- the actuator is intended for continuous regulation of devices controlled with analog connected voltage 0(1) - 10V
- it is particularly suitable to use:
 - in combination with a dimmable ballast to dim fluorescent tubes
 - to control other power dimmers
 - to control other regulators (thermo valves, heating stopcocks, ventilation, etc.)
- simple use:
 - press the transmitter button shortly to switch on/off the appliance circuit and to set the voltage at the analog output to the latest set value
 - press and hold the transmitter button to control voltage at the analog output in the range between 0(1)–10V
- each actuator can be controlled by up to 32 channels (1 channel is represented by 1 button on the wireless wall switch button, keychain or the RF Touch)
- the Prog button serves to:
 - select the mode of output voltage 0–10V (green LED) or 1-10V (red LED)
 - programming
 - manual control
- RFDAC-71B:** multifunction - 7 program functions: 6 different "light functions," ON/OFF function
- installation box design (such as KU-68)

Wiring

Connection example: dimming of fluorescent tubes with dimmable ballast



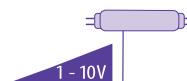
Connection example: with thermo valve



Example of use

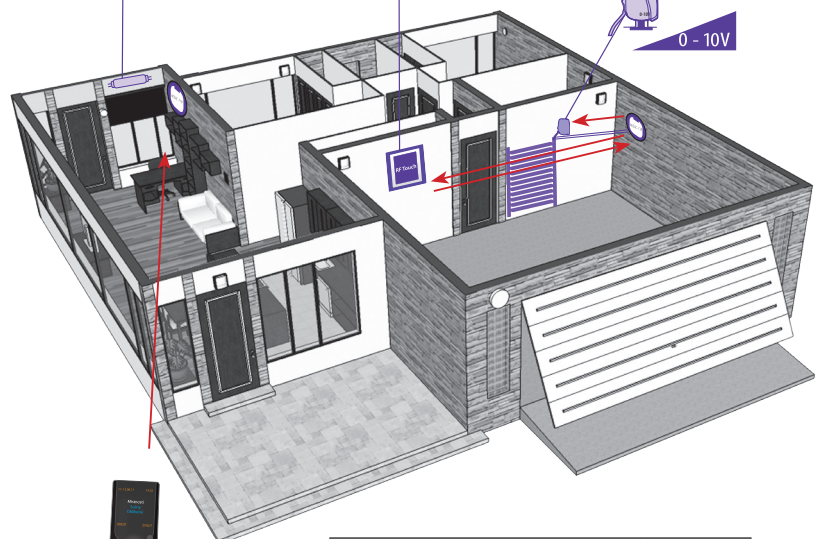
RFDAC-71B + DIML

Switching and dimming of fluorescent tubes



RFDAC-71B +

Thermo valve ALPHA AA 0–10V
Heating regulation



	Suitable ballast: DIML	see p. 32
	Suitable thermo valve: ALPHA 0-10 V	see p. 32