

FIG. 1

- | | |
|--|---|
| 1. Time scale | 2. Timetables |
| 3. Text line | 4. Sunrise symbol |
| 5. Low battery symbol | 6. Time / Date |
| 7. C1 relay status symbol | 8. Go down the menu / C1 manual operation |
| 9. Go up the menu / C2 manual operation | 10. Cancel option / Go back in the menu |
| 11. Accept option / Enter the menu / Turn on the device without power supply | 12. C2 relay status symbol |
| 13. Manual operation (blinking) / Permanent manual (fixed) | 14. 12 H / 24 H |
| 15. Sunset symbol | 16. Days of the week |

INSTRUCTIONS FOR USE

ASTROCLOCK-2 is a digital time switch of astronomical update designed for the control of any electrical installation that requires a solar reference, particularly of the sunrise and nightfall time in a specific location every day of the year. It incorporates the possibility of performing manoeuvres at a fixed time of the day, as well as switching on and off at sunrise and sunset. In the astronomical manoeuvres, it is possible to set a correction of up to ± 9 hours 59 minutes to both C1 and C2 channels.

In addition, it has a series of extra functions such as: automatic change to daylight saving / standard time, 4 holiday periods and adjustable screen brightness.

Menus can be displayed in several languages and show a timetable on screen with the current day's schedule.

It has 2 independent and voltage-free switched circuits that allow programming of up to 40 manoeuvres between channel 1 and / or channel 2.

INSTALLATION

WARNING: Installation and mounting of electrical devices must be carried out by an authorised fitter.

TURN OFF THE POWER SUPPLY PRIOR TO INSTALLATION.

The device is internally protected against interference by a security circuit. However, some particularly strong fields may alter its functioning. Interference can be avoided if the following installation rules are taken into account:

- The device must not be installed near inductive loads (engines, transformers, contactors, etc.) - it is advisable to plan a separate supply line (with a network filter where appropriate).
- The inductive loads must be provided with interference suppressors (varistor, RC filter).

If the time switch is used in combination with other devices in an installation, it should be made sure that the constituted unit does not generate extraneous disturbances.

RESTORE SUPPLY ONCE THE DEVICE IS FULLY INSTALLED.

MOUNTING

Electronic control device of independent mounting in distribution cabinet, with symmetric profile of 35 mm. in accordance with EN 60715 standard (DIN Rail).

CONNECTION

Connect power according to the diagram in FIG. 2.

Phase and Neutral positions must be respected, checking the connections made. A wrong connection may destroy the device.

START-UP

THE DEVICE MUST BE POWERED to be able to execute the installation control.

The display will light up and the MAIN screen will appear.

When the device is not powered the display remains turned off, keeping all the date and time programming, during the power-reserve period (10 years) thanks to the incorporated lithium battery. In the event of being installed without the battery, the device has a security power-reserve of approx. 48 hours.

With no power supply, press the **MENU** button, the display temporarily lights to allow programming. If no button is pressed after 5 seconds, the display will turn off again.

These devices have four keys for their setting and programming.

The display shows the following information:

- Timetable with the day's manoeuvres (it disappears when it gets to a holiday period). A timetable for each channel with 24 divisions in which each segment represents 1 hour ON.
- The display has a text line that will show the following information alternatively:
 - SUNRISE and SUNSET times for that day with associated symbol:

Sun ☼ = SUNRISE / Moon ☾ = SUNSET
 - Selected city
 - Current date
 - PERMANENT operation
 - Active HOLIDAY period

- Complete time.
- Manual manoeuvre symbol . It blinks when a manual switching is activated and if the switching is PERMANENT the symbol is fixed.
- State of C1 / C2 circuits: ON , OFF

SETTINGS

ASTROCLOCK-2 switches are factory programmed with the current date and time as follows:

- Time: GMT +1
- Zone: In accordance with commercial order
- Astronomical corrections: Disabled
- Change Standard to Daylight Saving: Automatic
- Change Daylight Saving to Standard: Automatic
- Holidays: NO (4 periods disabled)
- Programs: C1 to C2 On at sunset / C1 and C2 Off at sunrise (see FIG. 4)

MANUAL OPERATION

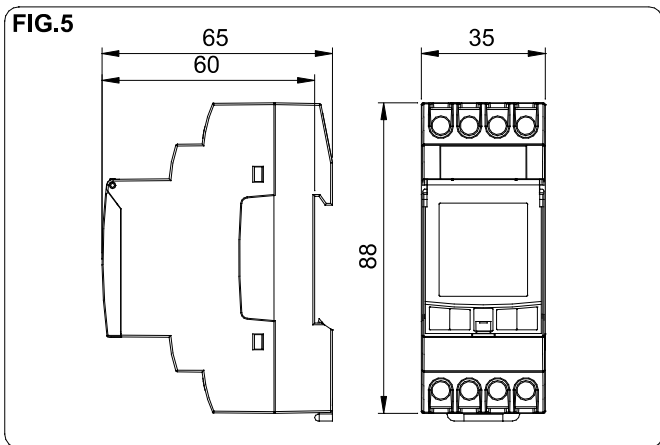
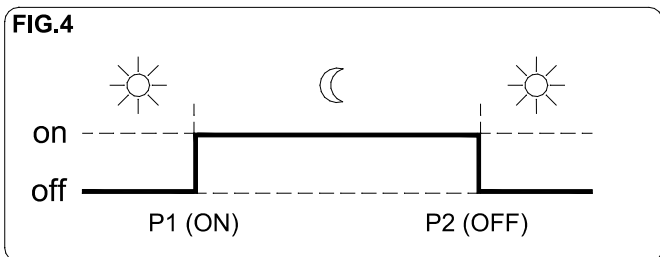
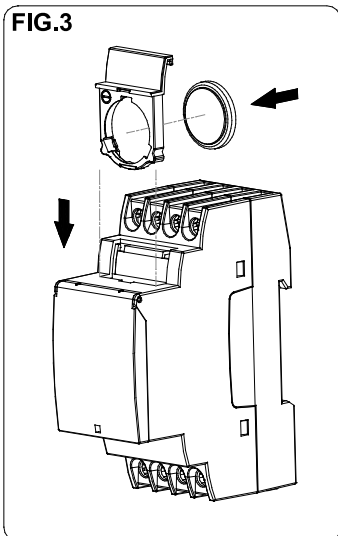
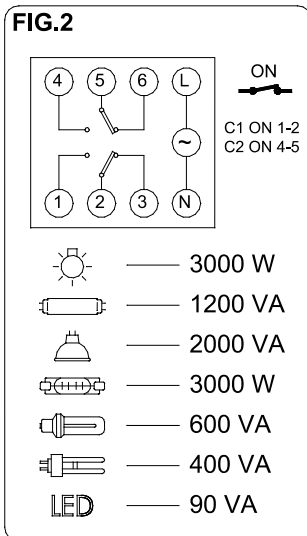
Activate or disable, manually reversing the state of the circuits temporarily from the main screen, by pressing keys ▼ C1 or ▲ C2.

The symbol will appear blinking on screen over the manipulated channel until we press ▼ C1 or ▲ C2 again, returning to the previous state.

PROGRAMMING

Programming is based on menus and submenus through which we can move to program manoeuvres or adjust the device. The main menu can be accessed from the standby screen pressing the 3 key. With keys ▼ and ▲ we will move through the different menus and pressing 3 we will access them. To go back to the previous menu we press the C key. The details to be programmed always appear blinking on screen.

The structure of the menus is the following:



MAIN MENU

ZONE 3 COUNTRY 3 CITY /LAT-LONG 3 SUNRISE CORR. 3 SUNSET CORR.

PROGRAMS

ENTER 3 PXX
 ▲
 DELETE 3 EDIT ▲ DELETE
 ▲
 ALL NO 3 TYPE
 ▲
 ALL YES 3 CHANNEL
 ▲
 MANOEUVRE

SETTINGS

CLOCK ▲ LANGUAGE ▲ ADVANCED
 ▲
 BRIGHTNESS
 ▲
 PERMANENT
 ▲
 HOLIDAYS
 ▲
 COUNTERS
 ▲
 SEASON
 ▲
 PIN CODE
 ▲
 12 H / 24 H
 ▲
 VERSION

ZONE. Allows the selection of the country where it is installed and either the closest city from a given list or a fixed latitude/longitude coordinate. The astronomical switch will calculate the sunrise and sunset time every day of the year based on the geographic position and date.

- Astronomical correction:** Once the city is selected, the SUNRISE and SUNSET time can be corrected to adapt it to the different topographical conditions (for example: fences, shadows cast by buildings...). To do this, we can set forward or back the SUNRISE or SUNSET time up to 9h59min, seeing the corrected time on screen as it is being programmed.

We choose the closest city to our location

MENU 3 ZONE 3 SPAIN 3 BARCELONA 3 SUNRISE corr. 07:34 3 SUNSET corr. 18:36

We choose a fixed coordinate in Spain (latitude: +40° North, longitude: -3° East)

MENU 3 ZONE 3 SPAIN 3 40 (N) 3 -3 (E) 3 SUNRISE corr. 07:34 3 SUNSET corr. 18:36

PROGRAMS. Is the menu where the different manoeuvres are programmed. There are 40 memory spaces (from PROG_01 to PROG_40).

- ENTER:** We enter pressing 3. Once we have accessed, we are informed about the program we are in P-01 ---- to P-40, we have the following options:
 - **EDIT** (if it is already programmed) "P01: EDIT" is shown on screen, validating with 3 appears on screen.
 - **TYPE:** With keys ▼ and ▲ we choose the type of action: ON, OFF. We validate with 3.
 - **CHANNEL.** We choose the channels to be programmed, C1 and/or C2.
 - **MANOEUVRE.** We choose the type of manoeuvre:
 - **FIXED:** Performs the manoeuvre at a fixed selected time.
 - **SUNSET:** Performs the sunset manoeuvre. The sunset time can be corrected.
 - **SUNRISE:** Performs the sunrise manoeuvre. The sunrise time can be corrected.
 - **REDUC. START:** Performs the manoeuvre at a fixed selected time with priority over the sunset time.
 - **REDUC. END:** Performs the manoeuvre at a fixed selected time as long as it is before sunrise, since the sunrise time has priority.
 Next, we choose the manoeuvre's hour, minute and combination of days of the week.

HOLIDAY PERIODS program

If when validating the last day of the week with the 3 key we keep it pressed we select this manoeuvre as holiday, the word HOLIDAYS appears on screen and with keys ▼ and ▲ we select one of the 4 holiday periods.

- **DELETE.** When validating with 3 the selected program is deleted. Since all programs are stored in a consecutive order, deleting a program may mean changing each program's assigned number.
- **DELETE.** Allows the deletion of all the manoeuvres of the 40 programs in only one step.

We choose to perform program of switched on at sunset

It already comes with ON at Sunset factory programming.

MENU 3 PROGRAMS 3 ENTER 3 P01 3 EDIT 3 TYPE ON 3
 CHANNEL MANOEUVRE SUNSET corr. Days of the week
 C1 and C2 SUNSET +0H00M Mon...Sun P01 OK

We choose to perform program of switched off at sunrise

It already comes with OFF at Sunrise factory programming.

MENU 3 PROGRAMS 3 ENTER 3 P02 3 EDIT 3 TYPE OFF 3
 CHANNEL MANOEUVRE SUNRISE corr. Days of the week
 C1 and C2 SUNRISE +0H00M Mon...Sun P02 OK

We choose to perform program of switched off at 12 am

MENU 3 PROGRAMS 3 ENTER 3 P03 3 EDIT 3 TYPE OFF 3
 CHANNEL MANOEUVRE Days of

the week

C1 and C2 3 FIXED TIME 3 00:00 3 Mon...Sun 3 P03 OK

SETTINGS. The menu where the device is configured.

- **CLOCK.** Sets the time of the device. The variables to configure are (in this order): Year, month, day, and minute. The day of the week is calculated automatically.
- **LANGUAGE.** The menu where the language of the device is chosen.
- **ADVANCED.** The menu where most of the device's configuration can be done.
 - **BRIGHTNESS.** Menu in which we can select the brightness of the display. MINIMUM, LOW, MEDIUM, HIGH, or MAXIMUM. The brightness on screen will be adjusted if we validate the visualised level.
 - **PERMANENT.** The menu through which we can set a permanent operation (On / Off) of channel C1 and channel C2. With keys ▼ and ▲ we move through the different options: C1: YES → C1: NO → C2: YES → C2: NO. We validate with 3 our desired option. The device will not take notice of the manoeuvre programming for the selected channel if we choose the YES OPTION.
 - **HOLIDAYS.** It has 4 PERIODS that can be programmed, to perform the manoeuvres selected in the programming of HOLIDAY PERIODS. If no manoeuvre is programmed in a period, during said period the channels will remain OFF. PERIOD 1 ... 4
 - **EDIT.** The month, day, hour and minute of the beginning of the period and the month, day, hour and minute of the end of the period are programmed. This period will be repeated year after year.
 - **DELETE.** The selected period is deleted.
 - **COUNTERS.** Menu in which the switch-on time of each circuit is indicated (in hours). Accessing the counter of each channel with 3 it can be set to zero. Select DELETE YES and validate.
 - **SEASON.** Allows to adjust the time change from daylight saving to standard time and vice versa.
 - **ACTIVE.** Automatically makes the time change from daylight saving to standard time or vice versa, in accordance with each country's legislation. (EU the last Sunday of March and the last Sunday of October)
 - **INACTIVE.** Does not make the time change.
 - **PIN CODE.** Menu to activate or disable the keyboard lock to prevent unwanted access to the device settings.
 - **INACTIVE.** Keyboard lock disabled.
 - **ACTIVE.** Keyboard lock activated. And we are required to program a four-figure PIN CODE. This protection will be activated 30 seconds after we come out of the settings and return to the display in standby mode. From that moment on when any key is pressed the message "PIN CODE" will appear on screen. To unlock the access to the device, we will need to enter the PIN CODE programmed in its activation. The device will be unblocked for 10 seconds. During this time we will be able to access the settings menu by pressing 3. Or any other manipulation. After 30 seconds without manipulating the device it will get locked again.
 - **12H - 24H.** With keys ▼ and ▲ we select the mode in which we wish to visualise the time. We validate the selection with 3.
 - **VERSION.** Menu where the device's software version is shown.

If simultaneous manoeuvres are programmed we have to take into account that some have priority over the others. The priority order is as follows:

PERMANENT MODE → MANUAL → PROG_01 → PROG_02 → ... → PROG_40

RESET. SET TO ZERO.

Starting on standby mode (main screen), press the **C** key and keeping it pressed press keys ▼ and ▲ simultaneously for more than 3 seconds, the display turns off, all programming is deleted. The 4 factory pre-established programs will remain in the memory. The device must be powered.

We can also perform a quick deletion that does not affect the programming by pressing the four keys simultaneously. The device must be powered.

BATTERY CHANGE. FIG. 3

The device has a power-reserve of 4 years, by means of a replaceable CR2032 lithium battery. Battery replacement is made by removing the battery holder placed on the front of the device through a flat-head screwdriver. Observe the battery polarity as marked on the battery holder.

When the battery is dead and the device is powered the battery symbol appears on screen.

NOTE: When changing the battery the device's programming is not lost, and neither is the current time.

TURN OFF THE POWER SUPPLY TO REPLACE THE BATTERY

TECHNICAL FEATURES

Rated voltage	As indicated in the device
Tolerance	± 10%
Breaking capacity:	μ 2x16 (10) A / 250 V~
Maximum recommended loads (N.A):	FIG. 2
Own consumption	Maximum 16 VA (1,3 W)
Contact	AgSnO ₂ switched.
Display screen	Of back-lit liquid crystal
Running accuracy	± 1 s / day at 23 °C
Accuracy variation with temperature	± 0.15 s / °C / 24 h
Power reserve	10 years (without connection to mains) 48 h (without battery and without connection to mains)
Type of action	1S, 1T, 1U
Software class and structure	Class A
Memory spaces	40
No. of channels	2
Types of manoeuvres	SUNRISE, SUNSET, FIXED TIME: ON/OFF, REDUC.
Astronomical adjustment	Daily
Operating temperature	-10 °C to +45 °C
Transport and storage temperature	-20 °C to +60 °C
Pollution situation	2
Protection level	IP 20 in accordance with EN60529
Protection class	II under correct mounting conditions
Transient impulse voltage	2.5 kV
Temperature for the ball test	+ 80 °C for 21.2.5
Keyboard access cover	Sealable
Connection	With screw terminal for section conductors of 4mm ² maximum section
Battery	CR2032 - 3 V - 220 mAh
Wrapping size	2 DIN modules (35 mm) FIG. 5

WARNING:

This time switch includes a battery whose contents may be damaging to the environment. Do not get rid of the product without taking the precaution of dismantling the battery and placing it in an appropriate recycling container, or sending the product back to the factory.

Joonis 1

- | | |
|--|--|
| 1. Ajaskaala | 2. Aja kronogramm |
| 3. Tekstirida | 4. Päikesetõusu näidik |
| 5. Aku laetuse näidik | 6. Aeg / Kuupäev |
| 7. C1 Kanali seis | 8. Menüü allapoole / kanali C1 käsitsi juhtimine |
| 9. Menüü ülespoole / kanali C2 käsitsi juhtimine | 10. Valiku tühistamine / Tagasi menüüsse |
| 11. Valiku säilitamine / Start menüü | 12. C2 Kanali seis |
| 13. Käsitsi juhtimine (vilkuv märgutuli) / Pidevalt töötab (alati põlev märgutuli) | 14. Ajaformaad 12/24 |
| 15. Päikeseloojangu näidik | 16. Nädalapäevad |

KASUTUSJUHE

ASTROCLOCK-2 on digitaalne astronoomiline taimer, mis võimaldab sõltuvalt geograafilisest asukohast ja päikesetõusu ja päikeseloojangu ajast automaatselt juhtida erinevaid seadeid. On olemas seadme korrigeerimise võimalus kuni ± 9 tundi 59 minutit mõlemal kanalil C1 ja C2.

Lisaks sellele on mitmeid lisavõimalusi nagu: automaatne suve- / talveajale üleminek, 4 pühade perioodi, ekraani heleduse reguleerimine ja nutitelefoni programmeerimise võimalus.

Menüüd saab kasutada mitmes keeles, ja kuvada ekraanile tänase päeva graafiku.

Releel on 2 sõltumatut kuiva kontakti, saab programmeerida kuni 40 toimingut kanalil 1 ja / või kanalil 2.

PAIGALDUS

TÄHELEPANU: Seadme paigaldus tuleb teha kvalifitseeritud personali poolt vastavalt elektriseadme kasutamise ohutuseeskirjadele.

Seadme ühendamine peab toimuma kui toitepinge on väljalülitatud.

Seadmel on sisemine kaitse elektromagnetväljadega kokkupuute vastu, kuid eriti tugevad elektriväljad võivad mõjutada seadme talitlust. Et vältida selliseid juhusid tuleks järgida järgmisi juhiseid paigaldamise ajal:

- ärge paigaldage seadet induktiivkoormusega seadme lähedale (mootorid, trafod jne)
 - seadme toide peab olema ühendatud eraldi liini (vajadusel varustatud ülepingekaitsega)
 - induktiivkoormuste olemasolul tuleb kohaldada mürasummutusvahendeid (varistorid, RC - filtrid)
- Kui taimer on kasutusel koos teiste seadmetega, on vaja tagada, et ei oleks tugevat elektromagnetvälja.

Toidet võib sisse lülitada ainult pärast täielikku paigaldust.

MONTAAŽ

Seadme paigaldamine toimub 35 mm siinile vastavalt standardile EN 60715.

ÜHENDAMINE

Ühendus toimub vastavalt skeemile, mis on näidatud joonisel 2.

Jälgige faasi ja maandusjuhtmete õiget ühendust. Vale seadme ühendamine võib põhjustada selle rikke.

TÖÖ ALGUS

Astronoomilise taimeri käivitamiseks tuleb seadmesse vool sisse lülitada.

Ekraan süttib ja sellel kuvatakse pöhimenüü.

Elektrikatkestuse ajal on ekraan välja lülitatud, kuid andmed, kuupäevad ja programmid on salvestatud 10 aastaks tänu integreeritud liitium-ioon akule. Kui seade on paigaldatud ilma akuta on andmete säilimine tagatud 48 tunniks.

Antud seadmel on 4 programmeerimise ja seadistamise režiimi.

Ekraanil kuvatakse järgmine info:

- Ajatabel päevatehingutega (tabel ei ilmu pühadeajal). Ajatabel igale kanalile sisaldab 24 jaotist, millest igaüks on võrdne 1 tunniga.
- Ekraanil on info rida, mis järjepidevalt näitab järgmisi andmeid:
 - Aeg SUNRISE (päikesetõus) ja SUNSET (päikeseloojang) sümbolite abil: Sun ☀ = SUNRISE / Moon 🌙 = SUNSET
 - Valitud linn
 - Kuupäev
 - PERMANENT operation (PIDEVALT PÕLEV)
 - Active HOLIDAY period (aktiivne puhkuse periood)
- Aeg

- Sümbol vilgub käsitsi juhtimise režiimis, sümbol kuvatakse ekraanile "alati sisselülitatud" režiimis.
- Kanali C1 / C2 positsioon ON OFF .

HÄÄLESTUS

ASTRO CLOCK-2 on tehase poolt häälestatud näitama praegust kuupäeva ja kellaaega:

- | | |
|---------------------------------|--|
| • Aeg: | GMT +1 |
| • Geograafiline piirkond: | Vastavalt määratule |
| • Astronoomiline reguleerimine: | Ei ole võimalik |
| • Üleminek suveajale: | Automaatselt |
| • Üleminek talveajale: | Automaatselt |
| • Vaheaeg: | NO (4 perioodi ei ole võimalik) |
| • Programmid: | C1 ja C2 lülitakse sisse päikeseloojangul / C1 ja C2 lülitakse välja päikesetõusul (vt joonis 4) |

MANUAALNE REŽIIM

Üleminek manuaalsele režiimile toimub nuppudele ▼ C1 või C2 ▲ vajutades.

Ekraanil ilmub vilkuv sümbol valitud kanali kohal, uuesti vajutades

▼ C1 või C2 ▲ läheb seade eelmisesse režiimi tagasi.

PROGRAMMEERIMINE

Programmeerimine on võimalik menüü ja alammenüü punktide abil, mille kaudu saame minna konkreetseesse programmi või konfigurida seadet. Peamenüüsse minek on võimalik vajutades . Vajutades ▼ ja ▲, saab valida soovitud menüü punkti ja vajutades siseneda. Eelmisse menüü punkti tagasiminekuks vajutage C.

Programmeerimise tulemused kuvatakse ekraanil vilkuvate sümbolitega

Menüü struktuur on järgmine:

FIG.1

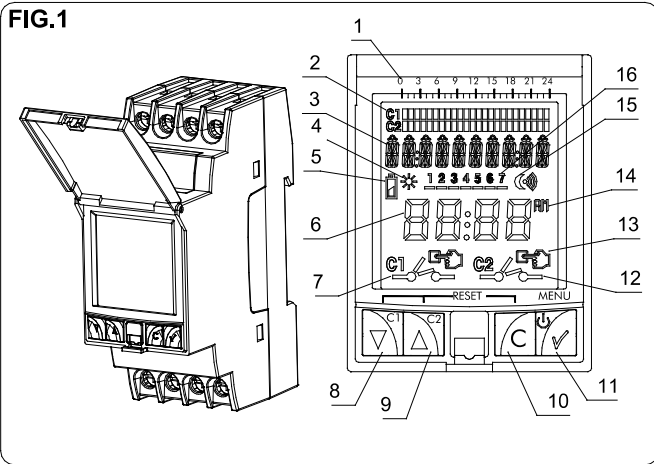


FIG.2

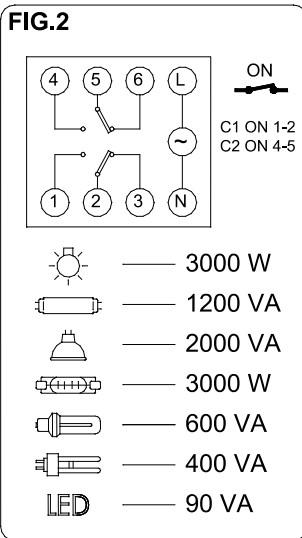


FIG.3

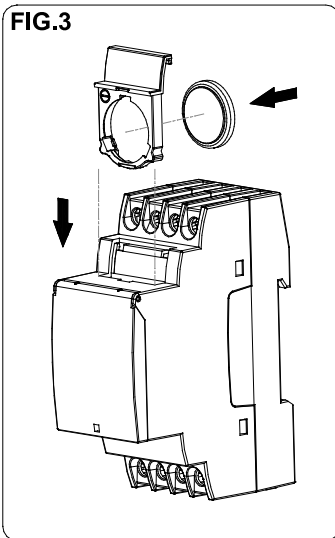


FIG.4

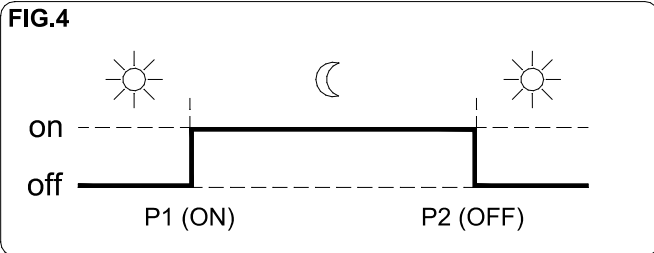
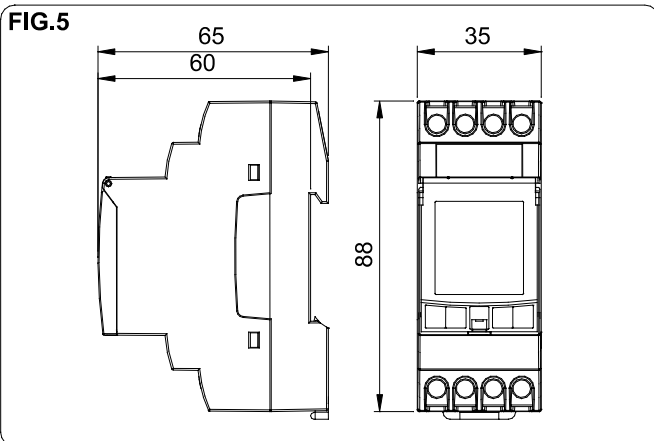


FIG.5



PEAMENÜÜ

ZONE COUNTRY CITY / LAT-LONG SUNRISE CORR. SUNSET CORR.

PROGRAMS ENTER PXX
 DELETE EDIT DELETE
 ALL NO TYPE
 ALL YES CHANNEL
 MANOEUVRE

SETTINGS CLOCK LANGUAGE ADVANCED
 BRIGHTNESS
 PERMANENT
 HOLIDAYS
 COUNTERS
 SEASON
 PIN CODE
 12 H / 24 H
 VERSION

ZONE. See võimaldab meil valida riiki, kus see on paigaldatud, lähimasse linna nimekirjast linnades või koordinaadid pikkus- ja laiuskraadi. Astronoomiline taimer arvutab päikesetõusu ja päikeseloojangut aasta igaks päevaks geograafilise asukoha ja kuupäeva põhjal.

- Astronoomilised muudatused:** Peale linna valikut, saab päikesetõusu ja päikeseloojangut aega muuta, et kohendada seda erinevate topograafiliste tingimustega (nt aiad, hoonete varjud ...). Selleks saame muuta päikesetõusu või päikeseloojangut aega (±9 h 59 min), ekraanile kuvatakse parandatud aeg.

Vali lähim linn

MENÜÜ	TSOON	RIIK	LINN	PÄIKESE TÕUS KORRIGEERI	PÄIKESELOOJANG KORRIGEERI
<input type="text"/>	<input type="text"/>	<input type="text"/> SLOVEENIA	<input type="text"/> LJUBLJANA	<input type="text"/> 6:44	<input type="text"/> 19:07

Valisime kooskõlastama Hispaanias + 40° North, -3° See

MENÜÜ	TSOON	RIIK	LAT	LONG	PÄIKESE TÕUS KORRIGEERI	PÄIKESELOOJANG KORRIGEERI
<input type="text"/>	<input type="text"/>	<input type="text"/> HISPAANIAS	<input type="text"/> 40 (N)	<input type="text"/> -3 (E)	<input type="text"/> 07:34	<input type="text"/> 18:36

PROGRAMS. Taimeril on 40 mälukohta (PROG_01 kuni PROG_40).

- ENTER:** Sisestamiseks vajutage . Ekraanil kuvatakse teave praegusest programmist P-01 ---- P-40, peale seda on võimalikud järgmised valikud.
 - EDIT** (kui programm on valitud) "P01: EDIT" vajutades , kinnitage oma tegevus.
 - TYPE:** Kasutades ja , valige režiim: ON (SEES) OFF (VÄLJAS). Kinnitage vajutades .
 - CHANNEL:** Valige kanal C1 ja / või C2.
 - MANOEUVRE** Valige töörežiim:
 - FIXED:** Taimeri käivitamine valitud ajal.
 - SUNSET:** Režiim "päikeseloojang". Päikeseloojangut aega saab muuta.
 - SUNRISE:** Režiim "päikesetõus". Päikesetõusu aega saab muuta.
 - GO SAVING:** Taimeri käivitamine valitud ajal on päikeseloojangust ajast prioriteetsem.
 - END SAVING:** Taimeri käivitamine kindlaksmääratud valitud ajal enne päikesetõusu, sest päikesetõus on prioriteetsem.
 Edasi valige aeg: tunnid, minutid ja nädalapäevad.

REŽIIM VAHEAEG HOLIDAYS

Aktiveeritud päeva nädalavaates saab määrata pühaks, vajutades ja hoides nuppu , ekraanil kuvatakse sõna HOLIDAYS. Vajutades ja valime ühe neljast pühade ajast. DELETE. Programmi vaatamisel on võimalik nuppu vajutades programm kustutada. Kuna kõik programmid salvestatakse järjekorras, siis programmi kustutamise võib kaasnedna teiste programmide järjekorra numbrite muutumine.

- DELETE.** Võimaldab kustutada kõik 40 programmi vaid ühe vajutusega.

Päikesetõusu programmi seadistamise näide

See programm on taimeris vaikimisi seadistus.

MENÜÜ	PROGRAMS	ENTER	P01	EDIT	TÜÜP
<input type="text"/>	<input type="text"/>	<input type="text"/>	<input type="text"/>	<input type="text"/>	<input type="text"/> ON

KANAL	REŽIIM	PÄIKESELOOJANG KORRIGEERI	Nädalapäev
<input type="text"/> C1 and C2	<input type="text"/> SUNSET	<input type="text"/> +0H00M	<input type="text"/> Mon...Sun

Päikesetõusu programmi väljalülitamise seadistamise näide

See programm on tehase poolt vaikimisi seadistatud.

MENÜÜ	PROGRAMS	ENTER	P02	EDIT	TÜÜP
<input type="text"/>	<input type="text"/>	<input type="text"/>	<input type="text"/>	<input type="text"/>	<input type="text"/> OFF

KANAL	REŽIIM	PÄIKESELOOJANG KORRIGEERI	Nädalapäev
<input type="text"/> C1 and C2	<input type="text"/> SUNRISE	<input type="text"/> +0H00M	<input type="text"/> Mon...Sun

Kell 12 programmi väljalülitamise seadistamise näide

MENÜÜ	PROGRAMS	ENTER	P03	EDIT	TÜÜP
<input type="text"/>	<input type="text"/>	<input type="text"/>	<input type="text"/>	<input type="text"/>	<input type="text"/> OFF

KANAL	REŽIIM	Nädalapäev
<input type="text"/> C1 and C2	<input type="text"/> FIXED TIME	<input type="text"/> 0:00
		<input type="text"/> Mon...Sun

SETTINGS. Menüü, kus toimub seadme parameetrite seadistamine.

- CLOCK.** Menüü, kus seadistatakse aega. Andmed on järgmises järjekorras: aasta, kuu, päev, minut. Nädalapäev arvutatakse automaatselt.
- LANGUAGE.** Menüü, kus valitakse seadme keel.
- ADVANCED.** Menüü, kus saab määrata pea kõiki taimeri seadeid.
 - BRIGHTNESS.** Alamenüü, kus saab valida ekraani heledust. MINIMUM, LOW, MEDIUM, HIGH, või MAXIMUM. Ekraani heledust saab reguleerida pärast vastava valiku aktiveerimist.
 - PERMANENT.** Menüü, kus saab sooritada (On / Off) kanali C1 ja C2 jooksvaid toiminguid. Kasutades ja liiguge läbi erinevate võimaluste: C1: JAH → C1: EI → C2: JAH → C2: EI. Abil saab sobiva valiku aktiveerida. Seade ei reageeri valitud kanali vahepealsele programmeerimisele, kui on valitud YES OPTION
 - HOLIDAYS.** On olemas 4 perioodi, mida saab programmeerida teatud toiminguteks pühade ajal. Kui antud pühade ajaks ei ole midagi programmeeritud, siis kanal jääb väljalülitatuks OFF. PERIOD 1 ... 4
 - EDIT.** Programmeeritakse perioodi alguse ja lõpu kuu, päev, tund ja minut. Perioodi korratakse aastast aastasse.
 - DELETE.** Valitud perioodi tühistamine.
 - COUNTERS.** Menüü, mis näitab aktiivse seisundi aega tundides (sisselülitatud). Saades ligipääsu igale arvestile, saab abil nullida. Valige DELETE YES ja aktiveerige.
 - SEASON.** Võimaldab korrigeerida üleminekut suveajast talveajale ja vastupidi.
 - ACTIVE.** Automaatne üleminek talveajalt suviajale ja tagasi, vastavalt iga riigi normidele (Euroopas - märtsi viimasel pühapäeval ja oktoobri viimasel pühapäeval)
 - INACTIVE.** suve- või talveajale ülemineku väljalülitamine.
 - PIN CODE.** Aktiveerib ja deaktiveerib klahviluku, et vältida soovimatut juurdepääsu seadme seadetele.
 - INACTIVE.** Klahviluku blokeerimine väljalülitatud.
 - ACTIVE.** Klahvilukk on aktiveeritud. Peate sisestama neljakohalise koodi. See kaitse on aktiivne 30 sekundi jooksul, siis väljub ja naaseb ekraan ooterežiimi. Sellest hetkest, igale suvalisele klahvil vajutades ilmub ekraanile aken «PIN-CODE». Seadete juurdepääsu avamiseks tuleb sisestada aktiveerimisel programmeeritud kood. Seade lukustatakse lahti 10 sekundi jooksul. Selle aja jooksul, võite minna seadme menüüsse kasutades või teha muid toiminguid. Kui 30 sekundi jooksul, seadet ei ole kasutatud, lukustatakse see uuesti.
 - 12 H / 24 H** Vajutage ja valige soovitud aja kuvamise režiimi. Valikut kinnitatakse abil.
 - VERSION.** Menüü, mis kuvab seadme tarkvara versiooni.

Kui ühel ja samal ajal on programmeeritud mitu toimingut, tuleb meeles pidada, et mõned toimingud on teistest tähtsamad. Tähtsuse järjekord on järgmine: PERMANENT MODE → MANUAL → PROG_01 → PROG_02 → → PROG_40

ALGLAADIMINE. NULLIMINE.

Ooterežiimil (põhiekraanil), vajutage klahvi C ja hoidke seda all, samal ajal vajutage ja kauem kui 3 sekundit. Ekraan lülitub välja ja kõik programmid kustutatakse. Mälu jäävad 4 tehase poolt sätestatud programmi. Et mitte kustutada programmeeritud võib alglaadimise tühistada, vajutades üheaegselt 4 klahvi. Lülitu seade sisse.

AKU VAHETUS Joonis 3.

The device has a power-reserve of 4 years, by means of a replaceable CR2032 lithium battery. Battery replacement is made by removing the battery holder placed on the front of the device through a flat-head screwdriver. Observe the battery polarity as marked on the battery holder.

When the battery is dead and the device is powered the battery symbol appears on screen.

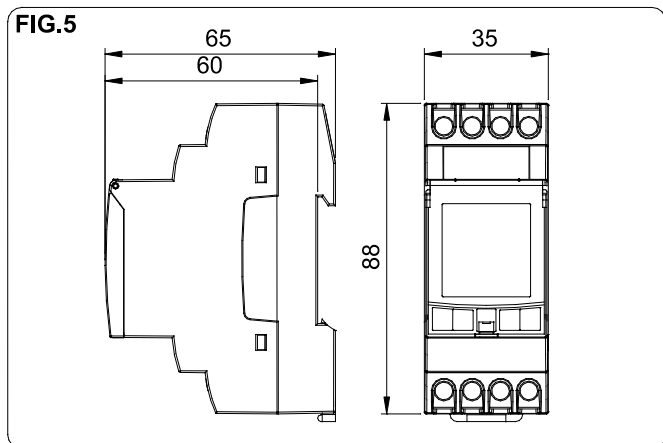
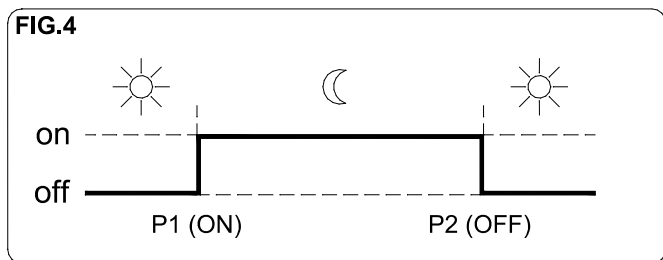
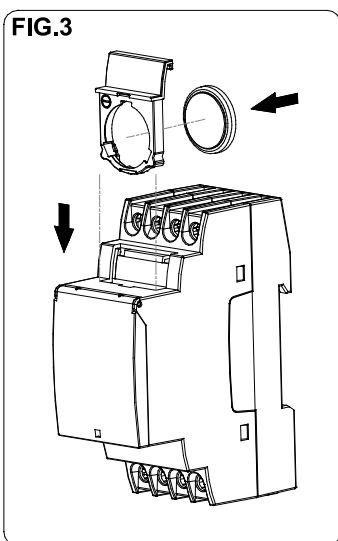
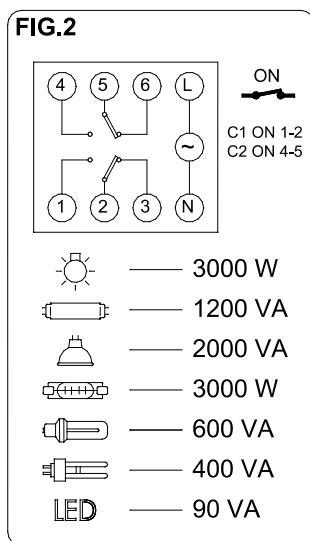
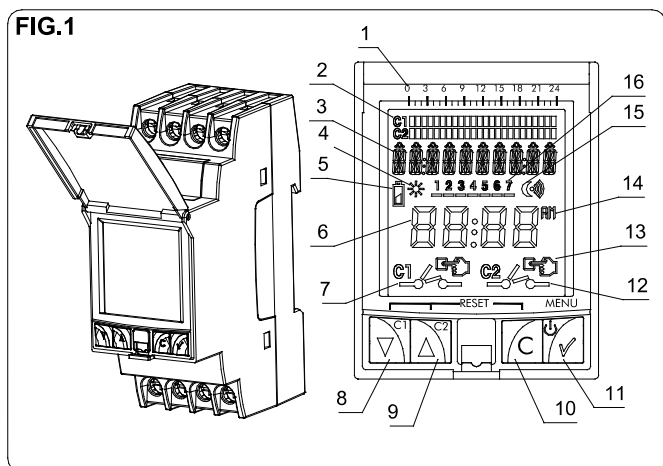
NOTE: When changing the battery the device's programming is not lost, and neither is the current time.

AKU VAHETUSEKS VÕTKE SEADE VOOLUVÕRGUST VÄLJA

TEHNILISED OMADUSED

Nominaalpinge	märgitud seadmele
kõrvalekalle	± 10%
Katkestusvõimsus:	µ 2x16 (10) A / 250 V-
Maksimaalne soovitatud koormus (N.A):	Märgitud joonisel. 2
Tarbimine	Maksimum 16 VA (1,3 W)
Kontakt	AgSnO ₂
Ekraan	vedelkristall taustvalgustusega
Täpsus	± 1 sek / päevas 23 °C
Täpsuse kõrvalekalle	
sõltuvalt temperatuuri muutusest	± 0.15 s / °C / 24 t
Reserv toide	10 aastat (ilma võrguühendusest)
	48 t (ilma akuta ja ilma võrguühendusest)
Toimimise tüüp	1S, 1T, 1U
Tarkvara klass	Klass A
Mälumaht	40 mälukohta
Kanalite arv	2
Korrigeerimise võimalused	SUNRISE, SUNSET, FIXED TIME: ON/OFF, REDUC.
Astronoomiline korrigeerimine	Igapäevaselt
Töötemperatuur	-10 °C ... +45 °C
Ladustamistemperatuur ja transportimistemperatuur	-20 °C ... +60 °C
Saastustase	2
Niiskuskindlus	IP 20 vastavalt EN60529
Kaitse klass	II õige paigalduse korral
Elektriluvus	2.5 kV
Testimise temperatuur	+ 80 °C testamiseks 21.2.5
Klaviatuuri ligipääsu kaas	Plommistamiseks
Ühendatavate juhtmete ristlõige	4mm ²
Aku	CR2032 - 3 V - 220 mAh
Möödud	2 DIN moodul (35 mm) Joonis. 5

TÄHELEPANU:



SL. 1

- | | |
|--|--------------------------------|
| 1. vremenska skala | 2. vremenski dijagram |
| 3. Tekst | 4. Simbol izlazak sunca |
| 5. Indikacija prazne baterije | 6. vrijeme / datum |
| 7. Stanje C1: ON , OFF | 8. Meni dole / C1 ručni način |
| 9. Meni gore / C2 ručni način | 10. Poništi / povratak na Meni |
| 11. Potvrda / Izbor menija | 12. Stanje C2: ON , OFF |
| 13. Ručni način (treperi) / stalni način(fiksni) | 14. 12 H / 24 H |
| 15. Simbol zalazak sunca | 16. Dani u sedmici |

OPIS

ASTROCLOCK-2 je digitalni vremenski relej, koji se upotrebljava kod upravljanja el. uređajima vezano na vrijeme izlaska i zalaska sunca ili fiksno vrijeme. Programski algoritam u uređaju samostalno preračunava dnevne promjene izlaska i zalaska sunca, koje uzima u obzir pri aktiviranju i deaktiviranju izabranog relejskog izlaza uređaja. Obzirom da je uređaj manjih dimenzija, standardne širine dva modula, on je idealan za ugradnju u nadzorne table, gdje je raspoloživi prostor za ugradnju obično ograničen. Uređaj posjeduje dva neovisna relejska strujna kruga C1 i C2, koje je moguće neovisno programirati obzirom na na astronomsko ili fiksno vrijeme. Vrijeme izlaska i zalaska sunca je moguće takođe prilagoditi sa određivanjem kašnjenja u periodu +/- 9sati 59 min za obadva izlaza.

Dodatne funkcije omogućuju: izbor automatskog prelaza sata kod zimskog i ljetnog režima, 4 termina praznika, osvjetljenje prikazivača.

Programski meni ima mogućnost prikaza takođe i drugih jezika. Broj programskih mjesta je 40, što omogućava dovoljno mogućnosti uklopa i isklopa obadva neovisna relejska izlaza.

PRIKLJUČENJE

PAŽNJA: Električne uređaje može instalirati i priključuje samo osposobljen monter. PRIJE MONTIRANJA NAPRAVE JE POTREBNO ISKLJUČITI ELEKTRIČNO NAPAJANJE I UKLJUČITI GA SAMO PO ZAVRŠETKU POSTUPKA. VRLO VAŽNO: Uređaj već posjeduje zaštitne elemente za zaštitu od elektromagnetnih smetnji. Međutim posebno jaka elektromagnetna polja mogu promijeniti njegovo djelovanje. Takve smetnje je moguće izbjeći tako, da se kod instaliranja poštuju slijedeće upute:

- Uređaje ne instalirajte u blizini izvora induktivnih opterećenja (motori, transformatori, kontaktori itd.)
- Preporučena je upotreba odvojenog strujnogkruga (po potrebi opremljen sa filterom).
- Izvore induktivnih opterećenja je potrebno opremiti sa elementima za smanjenje smetnji (varistor, RC filter) što bliže izvoru.

Ako se vremenski relej upotrebljava u kombinaciji sa drugim uređajima u instalaciji, treba obezbijediti, da ta skupina uređaja ne prouzroči dodatne smetnje, koje bi uticale na djelovanje uređaja.

UGRADNJA

Uređaj je predviđen za montažu na šinu širine 35 mm po standardu EN 60715 (DIN Rail).

ŠEMA

Uređaj povezuje u skladu s šemama SL. 2.

Polaritet priključenja uređaja je važan, pogrešno priključenje može oštetiti uređaj.

AKTIVIRANJE UREĐAJA

Za normalno djelovanje mora uređaj biti priključen na izvor napona. Pri priključenju se pojavi svjetlo na ekrane i pojavi se glavni meni. Ako uređaj nije priključen, na ekranu se neće pojaviti svjetlo. Rezervno napajanje obezbjeđuje memorisanje postavki, vremena i datuma za period od 10 godina. U slučaju Zamjene baterije posjeduje takođe i sekundarno rezervno napajanje, koje je dovoljno za 48 sati.

- Uređaj još fabrički posjeduje već postavljene programe, koje je moguće urediti ili izbrisati. Posjeduje program za uklop obadva kanala pri izlasku i zalasku sunca.
- Privzeti jezik in kraj je...

RUČNI NAČIN

Izlazom je moguće upravljati ručno s tipkama ▼ C1 ili ▲ C2. Pri ručnom načinu će indikator stanja izlaza treperiti.

PROGRAMIRANJE UREĐAJA

Programiranje uređaja se vrši pomoću tipki za smjerove na uređaju i menija. Ulaz u glavni meni je s tipkom 3. S tipkama ▼ i ▲ se krećemo po meniju, tipka 3 potvrđuje izbor i omogućuje ulaz u slijedeći meni. Tipka C je za vraćanje unazad, tj. u meniju stupanj više Parametri, koje je je moguće odrediti se prikazu treperenjem.

STRUKTURA MENIJA:

GLAVNI MENI

LOKACIJA 3 DRŽAVA 3 MJESTO / GEOG.ŠIRINA 3 VRIJEME ODGODE ULAZ 3 VRIJEME ODGODE IZLAZ

PROGRAMI 3 POTVRDI 3 PXX 3 IZBRIŠI 3 UREDI 3 IZBRIŠI 3 SVE NE 3 TIP 3 SVE DA 3 IZLAZ 3 AKCIJA

UREĐENJA 3 SAT 3 JEZIK 3 POSEBNO 3 SVJETLOST 3 TRAJNO 3 PRAZNICI 3 ŠTEVCI 3 LJETNO VRIJEME 3 ŠIFRA 3 12 H / 24 H 3 VERZIJA

LOKACIJA. Omogućuje odabir zemlje u kojoj je instaliran i bilo najbliži grad s određenog popisa, ili fiksni širine / dužine koordinirati. Uređaj će za svaki dan da izračunava vreme izlaska i zalaska sunca prema datumu i lokaciji.

Vreme kašnjenja izlaska i zalaska: Vreme izlaska i zalaska sunca se može takođe ispraviti unošenjem željenog kašnjenja do +/- 9h 59min, standardno podešavanje je +00H00M.

Način podešavanja lokacije

MENI	LOKACIJA	DRŽAVA	MESTO	Vreme izlaska	Vreme zalaska
3	3	SLOVENIJA	LJUBLJANA	07:34	18:36

Mi izabrat fiksni koordinatni u Španjolskoj (širina: +40° N, dužina: -3° E)

MENI	LOKACIJA	DRŽAVA	ŠIRINA	DUŽINA	Vreme izlaska	Vreme zalaska
3	3	ŠPANJOLSKOJ	40 (N)	-3 (E)	07:34	18:36

PROGRAMI Meni za postavljanje programa. Na raspolaganju je 40 programskih mesta.(PROG_01 do PROG_40).

OPIS MENIJA PROGRAMI:

- POTVRDI:** IZBOR PROGRAMA
 - DODAJ:Da izmenite već upisani program.
 - TIP: Izbor položaja izlaza: UKLJUČEN, ISKLJUČEN.
 - IZLAZ: Izaberite jedan od kanala C1 ili C2
 - AKCIJA: Način delovanja izlaza
 - FIKSNO: Izlaz reaguje prema programiranom vremenu.
 - ZALAZAK: Izlaz reaguje prema zalasku sunca, može da se koriguje.
 - IZLAZAK: Izlaz reaguje prema izlasku sunca, može da se koriguje.
 - ŠTEDLJIVI START: Početak štedljivog režima na fiksni sat, funkcija ima prioritet nad funkcijom ZALAZAK.
 - ŠTEDLJIVI KRAJ: Štedljivi kraj režima po fiksnom satu pri izlasku sunca. Funkcija IZLAZAK ima prioritet nad ovom funkcijom.
- Podešavanje vremena AKCIJE i aktivnih dana u nedelji.

PRAZNICI

Pri odobravanju aktivnih dana u nedelji držeći tipku ✓ definišemo taj program kao program koji će biti realizovan tokom praznika, na ekranu će biti ispisana reč HOLIDAYS, sledi izbor bilo koja od 4 termina i praznici će biti uključeni u ovaj program.

- IZBRIŠI. Prilikom brisanja privremenih programa, viši programi će biti premešteni na niža mesta.

- IZBRIŠI SVE: Briši sve programe u isto vreme.

Uključenje oba izlaza pri zalasku sunca

Vklap obeh izhodov ob sončnem zahodu

TIP

MENI 3 PROGRAMI 3 POTRDI 3 P01 3 UREDI 3 UKLJUČEN 3

IZLAZAK **AKCIJA** **Vreme ZALASKA** **Dani u nedelji**

C1 IN C2 3 ZALAZAK 3 +0H00M 3 PON...NED 3 P01 OK

Uključenje oba kanala pri izlasku sunca

TIP

MENI 3 PROGRAMI 3 POTRDI 3 P02 3 UREDI 3 ISKLJUČEN 3

IZHOD **AKCIJA** **Čas IZLASKA** **Dani u nedelji**

C1 IN C2 3 IZLAZAK sunca 3 +0H00M 3 Mon...Sun 3 P02 OK

Isključenje oba kanala u fiksno vreme u 24:00 za odabrane dane u nedelji

TIP

MENI 3 PROGRAMI 3 POTRDI 3 P03 3 UREDI 3 ISKLJUČEN 3

IZLAZAK **AKCIJA** **Dani u nedelji**

C1 IN C2 3 FIKSNO 3 00:00 3 Mon...Sun 3 P03 OK

PODEŠAVANJA. Konfigurisanje uređaja.

- vreme Podešavanje datuma i sata. Uslovljavanje datuma automatski određuje dan u nedelji.
- JEZIK. Postoji izbor od nekoliko različitih jezika.
- POSEBNO. Meni sa specifičnim postavkama za naprednije korisnike.
 - SVETLOST. Podešavanje osvetljenosti ekrana.
 - TRAJNO. Ova postavka omogućuje trajnu blokadu izlaza na željenu poziciju, nakon toga stanje izlaza definišemo na glavnom meniju pritiskom na C1 i C2.
 - PRAZNICI. Moguće je podesiti 4 termina praznika. U izabranom terminu izlazi će raditi kao što je definisano u meniju programi za izabrani termin, ako ovo nije definisano onda će izlazi biti neaktivni svo vreme praznika.
 - UNESI. Podešavanje datuma i vremena od početka do kraja termina.
 - IZBRIŠI. Brisanje izabranog termina.
 - BROJAČI. Podaci pokazuju koliko su ukupno vremena izlazi bili aktivni. Podaci se mogu resetovati.
 - LETNJE VREME. Opcija letnje/zimsko računanje vremena.
 - AKTIVNO. Aktivno znači da će sat automatski biti promenjen kako je definisano u EU.
 - NEAKTIVNO. Automatsko menjanje sata nije moguće.
 - ŠIFRA. Zaključavanje aparata od nedozvoljenog pristupa.
 - NEAKTIVNO. Zaključavanje nije omogućeno.
 - AKTIVNO. Zaključavanje omogućeno. Nakon unosa pravilne šifre uređaj će biti otključan 30s, ukoliko nema aktivnosti režim stand-by, zahteva se ponovni unos šifre za unos nekih promena. Kada je lozinka upisana pristup je omogućen, nakon čega se uređaj ponovo zaključa.
 - 12H-24H. Prikaz vremena u režimu 12H ili 24H.
 - VERZIJA. Programska verzija.

PRIORITETI AKCIJE:

TRAJNO → RUČNO → PROG_01 → PROG_02 → → PROG_40

RESET. VRAĆANJE NA FABRIČKE POSTAVKE

U neaktivnom modu (stand by mode) držite tipku C onda tastere ▼ i ▲, sva tri tastera je potrebno držati najmanje 3 sekunde. U podrazumevanom modu će se povratiti 4 unapred postavljena programa. Uređaji moraju biti povezani.

Mekani reset uređaja, bez gubljenja prethodnih podešavanja i programa je moguće istočasnim pritiskom sve četiri tipke. Uređaji moraju biti povezani.

ZAMENA BATERIJE. Vidi sliku 3.

The device has a power-reserve of 4 years, by means of a replaceable CR2032 lithium battery. Battery replacement is made by removing the battery holder placed on the front of the device through a flat-head screwdriver. Observe the battery polarity as marked on the battery holder.

When the battery is dead and the device is powered the battery symbol appears on screen.

NOTE: When changing the battery the device's programming is not lost, and neither is the current time.

Prilikom zamene baterije uređaj je potrebno isključiti sa napajanja.

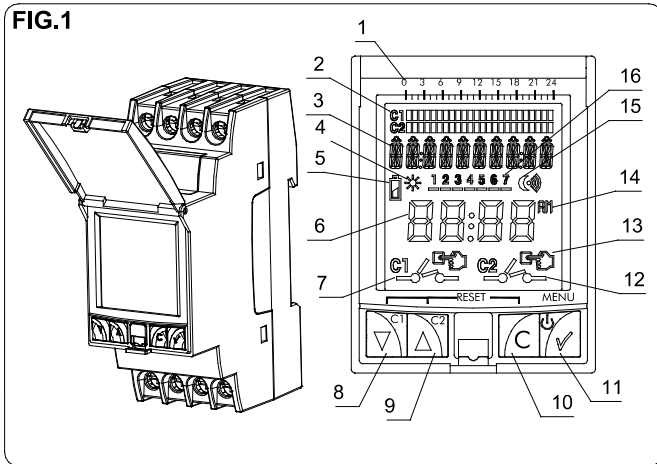
TEHNIČKE KARAKTERISTIKE

Nominalni napon	Kao što je naveden u uređaju
Otpornost	± 10%
Prekidna moć	µ 2x16 (10) A / 250 V~
Maksimalno preporučeno opterećenje(N:A)	FIG. 2
Sopstvena potrošnja	Maksimalno 16 VA (1,3W)
Kontakti	AgSnO2 Uključeni
Ekran	Of back-lit liquid crystal
Tačnost	± 1 s / day at 23 °C
Tačnost varijacije sa temperaturom	± 0.15 s / °C / 24 h
Snaga baterije	10 godina (bez povezivanja na struju) 48h (bez baterije i bez priključenja na mrežu) 1S, 1T, 1U Class A 40 2 IZLAZAK SUNCA, ZALAZAK SUNCA, FIKSNO VREME: ON/OFF, REDUKOVATI
Tip akcije	Dnevno
Klasa softvera i struktura	-10 °C to +45 °C
Memorijski prostor	Temperatura skladištenja i transporta -20 °C to +60 °C
Broj kanala	2
Vrste manevara	Klasa zagađenja Nivo zaštite Klasa zaštite Udarni napon Testirana temperatura Poklopac tastature Povezivanje Baterija Veličina
Astronomsko podešavanje	IP 20 u skladu sa standardom EN 60529 II pri korektnim uslovima montaže 2.5 kV + 80 °C for 21.2.5 Spojeno Zavrnjima za provodnike 4mm ² CR2032 - 3 V - 220 mAh 2 DIN modules (35 mm) FIG. 5

UPOZORENJE:

Sadržaj baterije ovog uređaja može biti štetan za životnu sredinu. Nemojte bacati ovaj uređaj bez prethodne demontaže baterije, uređaj je potrebno reciklirati ili vratiti nazad u fabriku.

FIG.1


1. ATT.

- | | |
|--|---|
| 1. Laika skala | 2. Laika hronogramma |
| 3. Teksta rinda | 4. Saullēkta indikators |
| 5. Baterijas uzlādes līmeņa indikators | 6. Laiks / Datums |
| 7. C1 kanāla stāvoklis | 8. Izvēlne uz leju / kanāls C1 rokas vadība |
| 9. Izvēlne uz augšu / kanāls C2 rokas vadība | 10. Izvēles atcelšana / Atgriešanās izvēlnē |
| 11. Izvēles saglabāšana / Sākuma izvēlne | 12. C2 kanāla stāvoklis |
| 13. Rokas vadība (mirgojošā atzīme) / Pastāvīgi ieslēgta (vienmēr redzams) | 14. 12/24 laika formāts |
| 15. Saulrieta indikators | 16. Nedēļas dienas |

LIETOŠANAS INSTRUKCIJA

ASTROCLOCK-2 ir digitālais astronomiskais pulkstenis, kas ļauj automātiski pārvaldīt dažādus slodzes veidus, atkarībā no ģeogrāfiskās atrašanās vietas un laika, ciklos lec un riet saule. Abos kanālos C1 un C2 ir iespējams veikt ierīces koriģēšanu līdz ± 9 stundām 59 minūtēm.

Bez tam, ierīcei ir daudz papildfunkciju, piemēram, automātiska pāreja uz vasaras / ziemas laiku, 4 brīvdienų periodi, ekrāna spilgtuma regulēšana un iespēja programmēt no viena līdz četrām dienas grafiku.

Izvēlni var izmantot vairākās valodās un uz ekrāna attēlot konkrētās dienas grafiku. Relejam ir 2 neatkarīgi „sausie kontakti”, iespējams ieprogramēt līdz pat 40 darbībām 1. un/vai 2. kanālā.

UZSTĀDĪŠANA

UZMANĪBU! Ierīces uzstādīšanu jāveic kvalificētam personālam saskaņā ar drošas elektroierīču ekspluatācijas noteikumiem.

Pieslēgšana jāveic, kad ir atslēgts padeves spriegums.

Ierīcei ir iekšējā aizsardzība pret elektromagnētisko lauku iedarbību, taču īpaši spēcīgi lauki var ietekmēt iekārtas darbību. Lai izvairītos no tādiem gadījumiem, ierīces uzstādīšanas laikā jāievēro šādi ieteikumi:

- neuzstādi ierīci tuvu iekārtām ar induktīvo slodzi (dzinējiem, transformatoriem, palaidējiem utt.);
- ierīces barošanai jānotiek no atsevišķas līnijas (vajadzības gadījumā tā jāapriko ar tīkla filtru);
- induktīvo slodzi laikā jāizmanto traucējumus slāpējošas ierīces (varistori, RC filtri);
- Ja pulksteņi izmanto kopā ar citām ierīcēm, jāpārbauda, ka tās neradīs spēcīgus elektromagnētiskos laukus.

Barošanas padeve ierīcei pieļaujama tikai pēc pilnīgas tās uzstādīšanas.

MONTĀŽA

Ierīce tiek uzstādīta uz 35 mm kopnes saskaņā ar EN 60715.

PIESLĒGŠANA

Pieslēgšana jāveic pēc shēmas, kas parādīta **2. ATTĒLĀ**.

Ievērojiet fāzu vada un neitrālā vada pieslēgšanas secību. Nepareizi pieslēdzot ierīci, tā var nedarboties.

DARBĪBAS SĀKŠANA

Lai astronomiskais pulkstenis sāktu darboties, tas jāpieslēdz barošanas spriedumam.

Displejs izgaismosies un parādīsies galvenā izvēlne.

Ja netiek nodrošināts barošanas spriegums, ierīces displejs ir izslēgts, taču dati, datumi un programmas saglabājas 10 gadus, pateicoties iebūvētajam litija jonu akumulatoram. Gadījumā, ja ierīce ir uzstādīta bez akumulatora, rezerves avārijas barošana tiek nodrošināta 48 stundas.

Šai ierīcei ir 4 programmēšanas un uzstādījumu režīmi.

Informācija uz displeja:

- Laika tabula ar dienas darbībām (netiek rādīta svētku dienās). Laika tabula katram kanālam sastāv no 24 iedaļām, katra atbilst 1 stundai.
- Uz displeja atrodas informatīvā ailīte, kas attiecīgi uzrāda:
 - SUNRISE (saullēkta) un SUNSET (saulrieta) laiku ar simbolu palīdzību: Sun ☼ = SUNRISE / Moon ☾ = SUNSET

- Izvēlēto pilsētu
- Datumu
- PERMANENT darbību (vienmēr ieslēgts)
- Active HOLIDAY period (aktīvu „Brīvdienų” režīmā)

- Pulksteņa laiku
- Simbolu ☼☾, kas mirgo ieslēgtas rokas vadības gadījumā, „pastāvīgi ieslēgta” režīmā simbols ir redzams uz ekrāna.
- Kanālu C1 / C2 stāvokli: ON ☐, OFF ☐

UZSTĀDĪJUMI

ASTRO CLOCK-2 ir ražotāja uzstādījumi, kas ietver konkrēto datumu un pulksteņa laiku:

- | | |
|----------------------------|---|
| • Pulksteņa laiks: | GMT +1 |
| • Ģeogrāfiskā zona: | Atbilstoši uzstādījumiem |
| • Astronomiskā koriģēšana: | Nav pieejama |
| • Pāreja uz vasaras laiku: | Automātiski |
| • Pāreja uz ziemas laiku: | Automātiski |
| • Brīvdienų: | NO (4 periodi nav pieejami) |
| • Programmas: | C1 un C2 iesl. saulrietā / C1 un C2 iesl. saullēktā (skat. 4. ATTĒLU) |

MANUĀLAIS REŽĪMS

Pārslēšanās uz manuālo režīmu notiek, piespiežot taustiņus ▼ C1 vai C2 ▲.

Uz ekrāna virs vadošā kanāla parādīsies mirgojošs simbols; vēlreiz piespiežot ▼ C1 vai C2 ▲, ierīce atgriezīsies iepriekšējā režīmā.

PROGRAMMĒŠANA

Programmēšana iespējama, izmantojot izvēlnes un apakšizvēlnes elementus, ar kuru palīdzību var pāriet uz noteiktu programmu vai uzstādīt ierīci. Nokļūst galvenajā izvēlnē iespējams, piespiežot taustiņus ☐. Nospiežot taustiņus ▼ un ▲ iespējams izvēlēties vajadzīgo izvēlnes elementu un, nospiežot taustiņu ☐, tajā nokļūst. Lai atgrieztos iepriekšējā izvēlnes elementā, jānospiež taustiņš C.

Programmēšanas rezultāti parādās uz ekrāna mirgojošu simbolu veidā.

Izvēlnes struktūra:

FIG.2

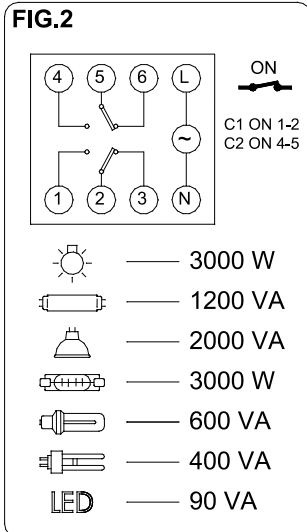


FIG.3

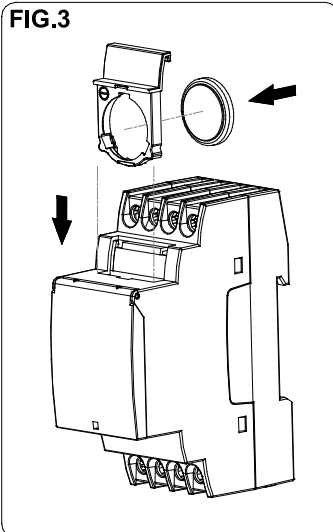


FIG.4

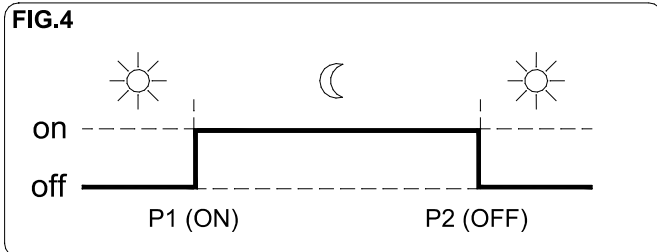
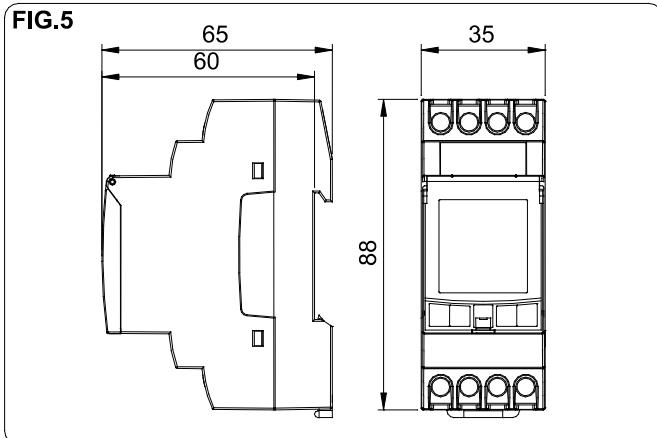


FIG.5



Galvenā izvēlne

ZONE COUNTRY CITY/LAT-LONG SUNRISE CORR. SUNSET CORR.

PROGRAMS

ENTER PXX
▲
DELETE EDIT ▲ DELETE
▼
ALL NO TYPE
▲
ALL YES CHANNEL
▼
MANOEUVRE

SETTINGS

CLOCK ▲ LANGUAGE ▲ ADVANCED
▼
BRIGHTNESS
▲
PERMANENT
▲
HOLIDAYS
▲
COUNTERS
▲
SEASON
▲
PIN CODE
▲
12 H / 24 H
▲
VERSION

ZONE. Tas ļauj jums izvēlēties valsti, kurā tā ir uzstādīta, tuvāko pilsētu no pilsētu sarakstu, vai koordinātēm platuma un garuma. Astronomiskais pulkstenis aprēķina saullēktu un saulrieti katrai dienai, ņemot vērā ģeogrāfisko atrašanās vietu un datumu.

■ **Astronomiskās izmaiņas:** Kad izvēlēta pilsēta, iespējams izmainīt saullēkta un saulrieta laiku, lai to pielāgotu atšķirīgiem topogrāfiskajiem apstākļiem (piemēram, sētas, ēku ēnas...). Lai to izdarītu, var izmainīt saullēkta vai saulrieta laiku līdz (±9 st. 59 min.), izlabojot laiku parādīties uz ekrāna.

Tuvākās pilsētas izvēle

IZVĒLNE	ZONA	VALSTS	PILSĒTA	SAULLĒKTS Labots	SAULRIETS Labots
<input type="text"/>	<input type="text"/>	<input type="text"/> SLOVĒNIJA	<input type="text"/> LUBĻANA	<input type="text"/> 06:44	<input type="text"/> 19:07

Mēs izvēlamies koordinātu Spānijā + 40° North, -3° Tas

IZVĒLNE	ZONA	VALSTS	LAT	LONG	SAULLĒKTS Labots	SAULRIETS Labots
<input type="text"/>	<input type="text"/>	<input type="text"/> SPAIN	<input type="text"/> 40 (N)	<input type="text"/> -3 (E)	<input type="text"/> 07:34	<input type="text"/> 18:36

PROGRAMS. Pulkstenī paredzētas 40 atmiņas šūnas (PROG_01 līdz PROG_40).

ENTER: Lai iekļūtu, nospiediet . Ieejot uz ekrāna parādīsies informācija par konkrēto programmu P-01 ---- P-40, tālāk iespējamas vairākas darbības:

- EDIT (ja programma dota) "P01: REDIGĒT", piespiežot taustiņu , apstipriniet savu darbību.
- TYPE: Ar taustiņu ▼ un ▲ palīdzību izvēlieties režīmu: ON (IESL.), OFF (IZSL.). Apstipriniet, nospiežot taustiņu .
 - CHANNEL: Izvēlieties kanālu C1 un / vai C2.
 - MANOEUVRE: Izvēlieties darba režīmu:
 - FIXED: Taimera nostrāde noteiktajā izvēlētajā laikā.
 - SUNSET: Darba režīms – saulriets. Saulrieta laiku var mainīt.
 - SUNRISE: Darba režīms – saullēkts. Saullēkta laiku var mainīt.
 - GO SAVING: Taimera nostrāde noteiktajā izvēlētajā laikā kā prioritāte pār saulrieta laiku.
 - END SAVING: Taimera nostrāde noteiktajā izvēlētajā laikā līdz saullēkta laikam, jo saullēkta laiks ir izvēlēts kā prioritāte.Tālāk izvēlieties pulkstenlaiku, t.i., stundas, minūtes un nedēļas dienu kombināciju.

BRĪVDIENU REŽIMSHOLIDAYS

Ja, pārlūkojot pēdējo nedēļas dienu, tiek nospiests un turēts taustiņš , diena tiek atzīmēta kā brīvdiena un uz ekrāna parādās vārds HOLIDAYS. Ar taustiņu ▼ un ▲ palīdzību izvēlieties vienu no 4 svētku periodiem.

DELETE. Aplūkojot programmas, piespiežot taustiņu , to var izdzēst. Tā kā visas programmas glabājas secīgā kārtībā, programmas dzēšana var izmainīt katrai programmai piešķirto numuru.

- DELETE. Ļauj izdzēst visas 40 programmas tikai ar vienu soli.

Piemērs, kā uzstādīt saulrieta programmu

Pēc noklusējuma pulkstenī uzstādītā programma.

MENU	PROGRAMS	ENTER	P01	EDIT	VEIDS
<input type="text"/>	<input type="text"/>	<input type="text"/>	<input type="text"/>	<input type="text"/>	<input type="text"/> ON
KANĀLS	REŽĪMS	SAULRIETS Labots	Nedēļas diena		
<input type="text"/> C1 and C2	<input type="text"/> SUNSET	<input type="text"/> +0H00M	<input type="text"/> Mon...Sun	<input type="text"/>	<input type="text"/> P01 OK

Piemērs, kā uzstādīt izslēgšanās programmu saullēktā

Pēc noklusējuma programmai paredzēti ražotāja uzstādījumi.

MENU	PROGRAMS	ENTER	P02	EDIT	VEIDS
<input type="text"/>	<input type="text"/>	<input type="text"/>	<input type="text"/>	<input type="text"/>	<input type="text"/> OFF
KANĀLS	REŽĪMS	SAULRIETS Labots	Nedēļas diena		
<input type="text"/> C1 and C2	<input type="text"/> SUNRISE	<input type="text"/> +0H00M	<input type="text"/> Mon...Sun	<input type="text"/>	<input type="text"/> P02 OK

Piemērs, kā uzstādīt izslēgšanās programmu plkst. 12 dienā

MENU	PROGRAMS	ENTER	P03	EDIT	VEIDS
<input type="text"/>	<input type="text"/>	<input type="text"/>	<input type="text"/>	<input type="text"/>	<input type="text"/> OFF
KANĀLS	REŽĪMS	Nedēļas diena			
<input type="text"/> C1 and C2	<input type="text"/> FIXED TIME	<input type="text"/> 00:00	<input type="text"/> Mon...Sun	<input type="text"/>	<input type="text"/> P03 OK

SETTINGS. Izvēlne, kurā notiek ierīces parametru uzstādīšana.

- **CLOCK.** Izvēlne, kurā tiek uzstādīts pulkstenlaiks. Dati tiek parādīti secīgi: gads, mēnesis, diena, minūte. Nedēļas diena tiek aprēķināta automātiski.
- **LANGUAGE.** Izvēlne, kurā tiek uzstādīta ierīces valoda.
- **ADVANCED.** Izvēlne, kurā iespējams regulēt vairumu pulksteņa uzstādījumu.
 - BRIGHTNESS. Apakšizvēlne, kurā iespējams izvēlēties displeja spilgtumu: MINIMUM, LOW, MEDIUM, HIGH vai MAXIMUM. Ekrāna spilgtumu var regulēt pēc atbilstošā indikatora aktivizēšanas.
 - PERMANENT. Izvēlne, ar kuras palīdzību iespējams veikt esošās kanāla C1 un C2 darbības (iesl. / Izsl.). Ar taustiņiem ▼ un ▲ pārvietojieties pa dažādajām iespējām: C1: JĀ → C1: NĒ → C2: JĀ → C2: NĒ. Ar taustiņa palīdzību nepieciešamā iespēja tiek aktivizēta. Ierīce nereaģēs uz izvēlēto kanāla starpprogrammēšanu, ja izvēlēta iespēja YES OPTION.
 - HOLIDAYS. Lai izpildītu noteiktas svētku periodu darbības, iespējams ieprogrammēt 4 periodus. Ja konkrētajam svētku periodam nav ieprogrammētas nekādas darbības, kanāls paliks atslēgtā stāvoklī OFF. PERIOD 1 ...4
 - EDIT. Perioda mēnesi, dienu, stundu un sākuma un beigu minūti var ieprogrammēt. Periods atkārtojas katru gadu.
 - DELETE. Izvēlēta perioda atcelšana.
 - COUNTERS. Izvēlne, kurā tiek norādīts laiks aktivā stāvokļa (ieslēgšanās) stundās. Piekļūstot katram skaitītājam ar palīdzību, iespējams atgriezt rādītāju uz 0. Izvēlieties DELETE YES un aktivizējiet.
 - SEASON. Ļauj labot pāreju no vasaras laika uz ziemas laiku un otrādi.
 - ACTIVE. Automātiskā pārslēgšanās no ziemas laika uz vasaras laiku un otrādi, atbilstoši katras valsts noteikumiem (Eiropā – pēdējā marta svētdienā un pēdējā oktobra svētdienā).
 - INACTIVE. Laika pārslēgšana nenotiek.
 - PIN CODE. Aktivizē un atslēdz klaviatūras bloķēšanu, lai brīdinātu par nevēlamu piekļuvi ierīces uzstādījumiem.
 - INACTIVE. Klaviatūras bloķēšana atslēgta.
 - ACTIVE. Klaviatūras bloķēšana aktīva. Jāievada četrzīmju kods. Aizsardzība aktīva 30 sekundes, pēc tam notiek iziešana un atgriešanās displeja gaidīšanas režīmā. No šī brīža, nospiežot jebkuru taustiņu, uz ekrāna parādās lodziņš «PIN CODE». Lai atbloķētu pieeju ierīcei, jāievada kods, kas ieprogrammēts tās aktivizēšanas laikā. Ierīce atbloķēties 10 sekunžu laikā. Šajā laikā var iet uzstādījumu izvēlnē ar taustiņa palīdzību vai veikt jebkuru citu darbību. Ja 3- sekunžu laikā ar ierīci netiek veiktas nekādas darbības, tā atkal nobloķējas.
 - 12H – 24H. Ar taustiņiem ▼ un ▲ tiek izvēlēts vēlamais pulkstenlaika attēlošanas režīms. Izvēle tiek apstiprināta, nospiežot .
 - VERSION. Izvēlne, kurā tiek parādīta ierīces programmas nodrošinājuma versija.

Ja vienlaikus ieprogrammētas vairākas darbības, jāatceras, ka dažas darbības ir prioritāras pār citām. Prioritāšu secība:

PERMANENT MODE → MANUAL → PROG_01 → PROG_02 → ... → PROG_40

ATELŠANA. UZSTĀDĪJUMU ATGRIEŠANA 0 STĀVOKLĪ.

Sākot ar gaidīšanas režīmu (galvenais ekrāns), nospiediet taustiņu C un, turot to nospiestu, vienlaikus nospiediet taustiņus ▼ un ▲ ilgāk par 3 sekundēm. Displejs izslēgsies, visas programmas tiks atslēgtas. Atmiņā paliks 4 programmas, kas paredzētas ražotāja uzstādījumos. Var veikt arī uzstādījumu atcelšanu, kas neietekmē ieprogrammēto, vienlaikus nospiežot 4 taustiņus. Ierīci vēlams ieslēgt.

AKUMULATORA NOMAIŅA. 3. attēls.

The device has a power-reserve of 4 years, by means of a replaceable CR2032 lithium battery. Battery replacement is made by removing the battery holder placed on the front of the device through a flat-head screwdriver. Observe the battery polarity as marked on the battery holder.

When the battery is dead and the device is powered the battery symbol appears on screen.

NOTE: When changing the battery the device's programming is not lost, and neither is the current time.

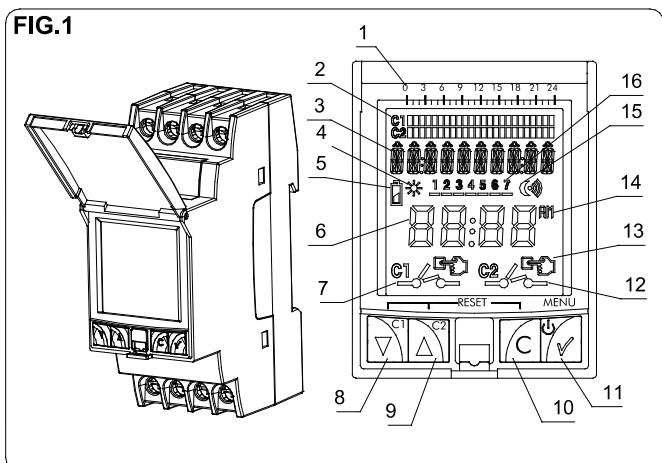
LAI NOMAINĪTU AKUMULATORU, ATSLĒDZIET IERĪCI NO BAROŠANAS TĪKLĀ

TEHNISKIE RĀDĪTĀJI

Nominālais spriegums	Norādīts uz ierīces
Novirze	± 10%
Komutācijas spēja:	μ 2x16 (10) A / 250 V-
Maksimālā ieteicamā slodze (N.A):	Norādīta 2. att.
Patēriņš	Maksimāli 16 VA (1,3 W)
Kontakts	AgSnO ₂ pārslēdzams
Displejs	šķīdros kristālu, ar izgaismojumu
Darbības precizitāte	± 1 sek. / dienā 23 °C temperatūrā
Novirze no precizitātes temperatūras izmaiņu gadījumā	± 0.15 sek. / °C / 24 st.
Rezerves barošana	10 gadi (bez pieslēguma tīklam) 48 st. (bez baterija un bez pieslēguma tīklam) 1S, 1T, 1U A klase 40 šūnas 2 SUNRISE, SUNSET, FIXED TIME: ON/OFF, REDUC. Katru dienu -10 °C ... +45 °C
Darbības veids	
Programmas nodrošinājuma klase	
Atmiņas lielums	
Kanālu skaits	
Regulēšanas veidi	
Astronomiskā regulēšana	
Darba temperatūra	
Uzglabāšanas un transportēšanas temperatūra	
Piesārņojuma līmenis	
Aizsardzības līmenis	
Aizsardzības klase	
Elektriskā stiprība	
Pārbaudes temperatūra	
Pieejas vāciņš klaviatūrai	
Pieslēdzamo vadu šķērsriezums	
Akumulators	
Izmēri	

UZMANĪBU!

Pulkstenim ir akumulators, kura saturs var būt kaitīgs apkārtējai videi. Produktu jāatliež, ievietojot atbilstošā konteinerā vai nogādājot atpakaļ ražotājam.

FIG.1

1 PAV.

- | | |
|---|---|
| 1. Laiko skalė | 2. Tvarkaraščiai |
| 3. Teksto eilutė | 4. Saulėtekio simbolis |
| 5. Iškrautos baterijos simbolis | 6. Laikas / data |
| 7. C1 relės būsenos simbolis | 8. Slinkti meniu žemyn / C1 rankinis valdymas |
| 9. Slinkti meniu aukštyn / C2 rankinis valdymas | 10. Atšaukti parinktį / grįžti į meniu |
| 11. Patvirtinti parinktį / įjungti meniu | 12. C2 relės būsenos simbolis |
| 13. Rankinis valdymas (mirksi) / pastovus valdymas (fiksutas) | 14. 12 val. / 24 val. |
| 15. Saulėlydžio simbolis | 16. Savaitės dienos |

NAUDOJIMO INSTRUKCIJOS

ASTROLOCK-2 yra skaitmeninis laikrodis su atnaujinamu astronominiu laiku, skirtas valdyti bet kokias elektros instaliacijas, kuriai reikalinga atskaita pagal saulę (ypač saulėtekio ir saulėlydžio laikas konkrečioje vietoje, kiekvieną metų dieną). Jame taip pat numatyta galimybė reguliuoti, esant fiksuotam dienos laikui, bei įjungti ir išjungti saulėtekio ir saulėlydžio laiką. Atliekant astronominius nustatymus, tiek C1, tiek C2 kanaluose galima nustatyti koregavimą iki ± 9 valandų 59 minučių.

Be to, yra daug papildomų funkcijų, pavyzdžiui: automatinis sezoninio / standartinio laiko išsaugojimas, 4 atostogų laikotarpiai, reguliuojamas ekrano ryškumas ir programavimas naudojant išmanųjį telefoną / planšetinį kompiuterį. Meniu gali būti rodomas keliomis kalbomis, o ekrane gali būti pateikiamas tvarkaraštis su esamos dienos grafiku.

Yra 2 nepriklausomos grandinės, perjungiamos be įtampos, todėl galima programuoti iki 40 veiksmų tarp 1 ir (ar) 2 kanalo.

MONTAVIMAS

ISPĖJIMAS: elektros prietaisus įrengti ir montuoti turi tik kvalifikuotas specialistas.

PRIEŠ MONTUODAMI IŠJUNKITE ELEKTROS MAITINIMĄ.

Prietaisas viduje yra apsaugotas nuo trikdžių apsaugine grandine, tačiau esant ypač stipriam laukui, tai gali turėti įtakos jo veikimui. Trikdžių galima išvengti, laikantis toliau nurodytų montavimo taisyklių.

– Prietaiso negalima įrengti netoli induktyviosios apkrovos (variklių, transformatorių, kontaktorių, ir pan.).

– Patartina numatyti atskirą maitinimo liniją (su tinklo filtru, kur yra tinkama).

– Esant induktyviajai apkrovai, būtina įrengti trikdžių slopintuvus (varistorių, RC filtrą).

Jei astronominis laikrodis instaliacijoje naudojamas kartu su kitu prietaisu, būtina, kad mazgas negeneruotų išorinių trikdžių.

BAIGĘ ĮRENGTI PRIETAISĄ, IJUNKITE MAITINIMĄ.
MONTAVIMAS

Elektroninis valdymo prietaisas, atskirai montuojamas paskirstymo spintoje, simetriškais profiliais 35 mm pagal EN 60715 standartą (DIN bėgelis).

JUNGIMAS

Sujungkite maitinimą, vadovaudamiesi 2 pav. schema.

Būtina atsižvelgti į fazę ir neutralią padėtį, patikrinti sujungimus. Netinkamai sujungus gali būti sugadintas prietaisas.

PALEIDIMAS

BŪTINA ĮJUNGTI MAITINIMĄ Į PRIETAISĄ, kad būtų galima patikrinti, kaip įrengtas.

Švies ekranas ir bus rodomas langelis MAIN (pagrindinis).

Kai nėra įjungtas maitinimas į prietaisą, ekranas lieka išjungtas ir ličio baterijos veikimo laikotarpiu (10 metų) išsaugomos visos užprogramuotos datos ir laiko nuostatos. Jei yra įrengiama be baterijos, prietaisas turi apyt. 48 valandų apsauginį maitinimo rezervą. Šie prietaisai turi turėti keturis klavišus, skirtus jiems nustatyti ir programuoti.

Ekrane rodoma toliau pateikiama informacija.

▪ Tvarkaraštis su dienos veiksmais (išjungiama, kai yra atostogų laikotarpis). Kiekvieno kanalo tvarkaraštis su 24 padalomis kiekviename segmente reiškia 1 valandą ON (įjungta).

▪ Ekrane yra teksto eilutė, kur pakaitomis rodoma tokia informacija:

- Tos dienos SAULĖTEKIO ir SAULĖLYDŽIO laikas ir atitinkamas simbolis:

Saulė ☀ = SAULĖTEKIS / mėnulis ☾ = SAULĖLYDIS

- Pasirinktas miestas,

- Esama data,

- PASTOVUS veikimas,

- Įjungtas ATOSTOGŲ laikotarpis,

▪ Visas laikas.

▪ Rankomis atliekamo veikimo simbolis

▪ Mirksi, kai įjungtas rankinis perjungimas, ir jei yra PASTOVUS perjungimas, simbolis šviečia pastoviai.

▪ C1 / C2 grandinių būseną:

▪ ĮJUNGTA , IŠJUNGTA

NUOSTATOS

ASTROLOCK-2 laikrodžiai gamykloje programuojami nustatant esamą datą ir laiką tokiu būdu:

- | | |
|---|--|
| • Laikas: | GMT + 1 |
| • Zona: | pagal komercinį užsakymą, |
| • Astronominiai koregavimai: | išjungta, |
| • Perjungti iš standartinio į sezoninį laiko išsaugojimą: | automatiškai, |
| • Perjungti iš sezoninio laiko į standartinį išsaugojimą: | automatiškai, |
| • Atostogos: | NĖRA (4 laikotarpiai išjungti), |
| • Programos: | iš C1 į C2 įjungta saulėlydžio metu / C1 ir C2 išjungta saulėlydžio metu (žr. 4 pav.). |

RANKINIS VALDYMAS

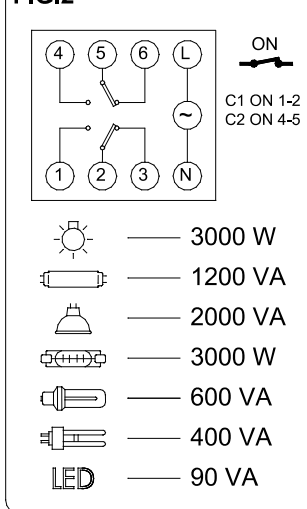
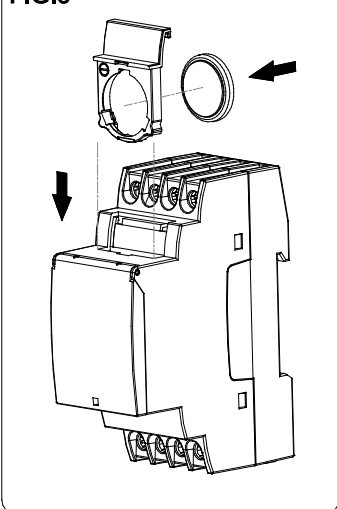
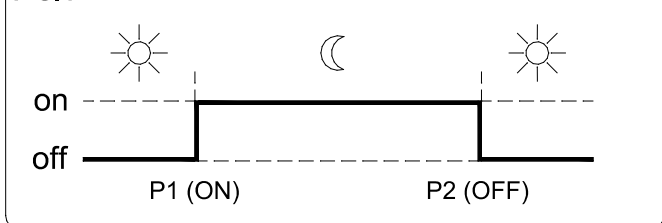
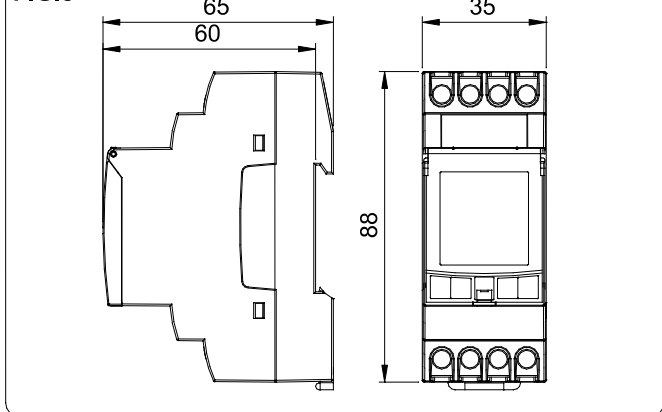
Įjungti ar išjungti, laikinai rankiniu būdu perjungti grandinių būseną pagrindiniame ekrane paspaudžiant klavišus ▼ C1 ar ▲ C2.

Ekrane virš reguliuojamo kanalo bus rodomas mirksintis simbolis iki kol vėl paspaudžiamas ▼ C1 ar ▲ C2, ir perjungiama ankstesnė būseną.

PROGRAMAVIMAS

Programuojama, atsižvelgiant į meniu ir submeniu, per kuriuos galima perjungti programos veiksmus ar reguliuoti prietaisą. Pagrindinį meniu galima įjungti budėjimo režimo ekrane, paspaudus klavišą . Klavišais ▼ ir ▲ perjungiami skirtingi meniu, o paspaudus jie įjungiami. Norint perjungti ankstesnį meniu, reikia spausti klavišą C. Išsami programuojama informacija visada mirksi ekrane.

Menu struktūra yra tokia:

FIG.2

FIG.3

FIG.4

FIG.5


PAGRINDINIS MENIU

ZONE 3 COUNTRY 3 CITY/LAT-LONG 3 SUNRISE CORR. 3 SUNSET CORR.

PROGRAMS 3 ENTER 3 PXX
 ▲
 DELETE 3 EDIT 3 ▲ DELETE
 ▲
 ALL NO 3 TYPE 3
 ▲
 ALL YES 3 CHANNEL 3
 ▲
 MANOEUVRE 3

SETTINGS 3 CLOCK ▲ LANGUAGE ▲ ADVANCED
 ▲
 BRIGHTNESS 3
 ▲
 PERMANENT 3
 ▲
 HOLIDAYS 3
 ▲
 COUNTERS 3
 ▲
 SEASON 3
 ▲
 PIN CODE 3
 ▲
 12 H / 24 H 3
 ▲
 VERSION 3

ZONE (zona). Jis leidžia mums pasirinkti šalį, kurioje jis yra įrengtas, artimiausią miestą iš miestų sąrašo, arba koordinatas, platumą ir ilgumą. Astronominis laikrodis taip pat apskaičiuos saulėtekio ir saulėlydžio laiką kiekvieną metų dieną, atsižvelgiant į geografinę padėtį ir datą.

▪ **Astronomical Correction (astronominis koregavimas).** Kai pasirinktas miestas, galima koreguoti SUNRISE (saulėtekio) ir SUNSET (saulėlydžio) laiką, kad būtų pritaikyta pagal skirtingas topografines sąlygas (pvz.: tvoros, pastatų šešėliai, ir pan.). Tuo tikslu galima nustatyti SAULĖTEKIO ar SAULĖLYDŽIO laiką pirmyn ar atgal iki 9 val., 59 min., o koreguotas laikas programavimui rodomas ekrane.

Pasirenkamas arčiausiai esantis miestas

ŠALIS		MIESTAS		SAULĖ-TEKIS kor.	SAULĖLYDIS kor.
MENIU 3	ZONA 3	ISPANIJA 3	BARSELONA 3	07:34 3	18:36 3

Renkamės Ispanijoje +40° North koordinuoti -3° Ši

SALIS		LAT	LONG	SAULĖ-TEKIS kor.	SAULĖLYDIS kor.	
MENIU 3	ZONA 3	ISPANIJA 3	40 (N) 3	-3 (E) 3	07:34 3	18:36 3

PROGRAMS (programos). Meniu programuojami skirtingi veiksmai. Yra 40 atminties įrašų (nuo PROG_01 iki PROG_40).

- **ENTER (įvesti).** Įvedama, paspaudus 3. Įjungus, informuojama apie pasirinktą programą, nuo P-01 – iki P-40. Rodomos toliau nurodomos parinktys.
- **EDIT (redaguoti).** (jei jau užprogramuota) „P01: EDIT“ rodoma ekrane, patvirtinama ekrane įjungiamu mygtuku 3.
- **TYPE (tipas):** klavišais ▼ ir ▲ pasirenkamas veiksmo tipas: **ON, OFF (įjungta, išjungta).** Patvirtinama, paspaudžiant 3.
- **CHANNEL (kanalas).** Pasirenkamas programuojamas kanalas (C1 ir (ar) C2).
- **MANOEUVRE (veiksmas).** Pasirenkamas veiksmo tipas.
 - **FIXED (fiksotas).** Veiksmas atliekamas per pasirinktą fiksuotą laiką.
 - **SUNSET (saulėlydis).** Saulėlydžio veiksmas. Saulėlydžio laiką galima koreguoti.
 - **SUNRISE (saulėtekis).** Saulėtekio veiksmas. Saulėtekio laiką galima koreguoti.
 - **GO SAVING (pradėti išsaugoti).** Veiksmas atliekamas per pasirinktą fiksuotą laiką, pirmenybė teikiama saulėlydžio laikui.
 - **END SAVING (baigti išsaugoti).** Atliekamas veiksmas per pasirinktą fiksuotą laiką iki saulėtekio, nes saulėtekiui teikiama pirmenybė. Tada pasirenkama veiksmo valanda, minutė ir savaitės diena.

HOLIDAY PERIODS (atostogų laikotarpiai) programa

Jei patvirtinama paskutinė savaitės diena klavišu 3, reikia laikyti jį nuspaužtą ir pasirinkti šį veiksma kaip atostogas, kai ekrane rodomas žodis **HOLIDAYS**, o klavišais ▼ ir ▲ pasirinkti vieną iš 4 atostogų laikotarpių.

- **DELETE (ištrinti).** Patvirtinus klavišu 3, pasirinkta programa ištrinama. Kadangi visos programos išsaugomos eilės seka, ištrinus programą gali būti keičiamas kiekvienai programai priskirtas numeris.

▪ **DELETE (ištrinti).** Galima ištrinti visus 40 programų veiksmus vienu kartu.

Pasirenkama atlikti programą iš įjungiamų saulėlydžio metu.

Pristatoma programuojant gamykloje jau nustatyta ON (įjungta) saulėlydžio metu.

KANALAS		VEIKSMAS	Saulėlydis kor.	Savaitės dienos	TIPAS
MENIU 3	PROGRAMS 3	ENTER 3	P01 3	EDIT 3	ON 3
C1 and C2 3	SUNSET 3	+0H00M 3	Mon...Sun 3	P01 OK 3	

Pasirenkama atlikti programą iš išjungiamų saulėtekio metu.

Pristatoma programuojant gamykloje jau nustatyta OFF (išjungta) saulėtekio metu.

KANALAS		VEIKSMAS	SAULĖTEKIS kor.	Savaitės dienos	TIPAS
MENIU 3	PROGRAMS 3	ENTER 3	P02 3	EDIT 3	OFF 3
C1 and C2 3	SUNRISE 3	+0H00M 3	Mon...Sun 3	P02 OK 3	

Pasirenkama atlikti programą iš išjungiamų vidurdienį (12 val.).

TIPAS
 MENU 3 PROGRAMS 3 ENTER 3 P03 3 EDIT 3 OFF 3

KANALAS VEIKSMAS Savaitės dienos
 C1 and C2 3 FIXED TIME 3 00:00 3 Mon...Sun 3 P03 OK 3

SETTINGS (nuostatos). Prietaiso konfigūravimo meniu.

- **CLOCK (laikrodis).** Nustatomas prietaiso laikas. Konfigūruojami kintamieji (šia seka): metai, mėnuo, diena ir minutė. Savaitės diena apskaičiuojama automatiškai.
- **LANGUAGE (kalba).** Prietaiso kalbos pasirinkimo meniu.
- **ADVANCED (išplėstinis).** Šiame meniu nustatoma išplėstinė prietaiso konfigūracija.
 - **BRIGHTNESS (ryškumas).** Šiame meniu nustatomas ekrano ryškumas. MINIMUM, LOW, MEDIUM, HIGH, ar MAXIMUM (mažiausias, mažas, vidutinis, didelis ar didžiausias). Ekrano ryškumas bus reguliuojamas, jei patvirtinamas vaizdo rodymo lygmuo.
 - **PERMANENT (pastovus).** C1 ir C2 kanalo pastovaus veikimo nustatymo meniu (įjungta / išjungta). Klavišais ▼ ir ▲ pasirenkamos skirtingos parinktys: C1: YES (taip) → C1: NO (ne) → C2: YES (taip) → C2: NO (Ne). Norima parinktis patvirtinama, paspaudžiant 3. Prietaisas nereaguos į pasirinkto kanalo veiksmo programavimą, jei pasirenkama YES (taip) parinktis.
 - **HOLIDAYS (atostogos).** Galima programuoti 4 atostogų laikotarpius, atlikti HOLIDAY PERIODS (atostogų laikotarpių) pasirinktus veiksmus. Jei laikotarpyje nėra užprogramuoto veiksmo, to laikotarpio metu kanalas liks OFF (išjungtas). PERIOD 1 ...4
 - **EDIT (laikotarpis 1...4, redaguoti).** Programuojama laikotarpio pradžios mėnuo, diena, valanda ir minutė, bei laikotarpio pabaigos mėnuo, diena, valanda ir minutė. Šis laikotarpis kartosis kasmet.
 - **DELETE (ištrinti).** Pasirinktas laikotarpis ištrinamas.
 - **COUNTERS (skaitikliai).** Meniu, kuriame nurodomas kiekvienos grandinės įjungimo laikas (valandomis). Įjungiant kiekvieno kanalo skaitiklį mygtuku 3, jį galima nustatyti ties nuliui. Pasirinkite DELETE YES (ištrinti „taip“) ir patvirtinkite.
 - **SEASON (sezonas).** Galima perjungti sezoninio laiko pokyčius į standartinį laiką ir atvirkščiai.
 - **ACTIVE (veikia).** Automatiškai perjungama iš sezoninio laiko į standartinį laiką (ar atvirkščiai) atsižvelgiant į kiekvienos šalies teisės aktus (ES paskutinis kovo sekmadienis ir paskutinis spalio sekmadienis).
 - **INACTIVE (neveikia).** Neperjungiamas laikas.
 - **PIN KODAS.** Klaviatūros įjungimo ar išjungimo meniu apsaugantis nuo neteisėtos prieigos prie prietaiso nuostatų.
 - **INACTIVE (neveikia).** Klaviatūros užraktas išjungtas.
 - **ACTIVE (veikia).** Klaviatūros užraktas įjungtas. Reikia programuoti keturių skaitmenų PIN CODE (PIN kodą). Apsauga bus įjungta 30 sekundžių po to, kai išjungiamos nuostatos ir perjungiamas budėjimo režimo ekranas. Nuo to momento, paspaudus bet kurį klavišą, ekrane rodomas pranešimas PIN CODE (PIN kodas). Norint atrakinti prieigą prie prietaiso, reikia įvesti įjungiant nustatytą PIN kodą. Prietaisas bus atrakintas 10 sekundžių. Tuo metu galima įjungti nuostatų meniu, paspaudus 3 arba atliekant kitokį veiksmą. Po 30 sekundžių, kai nėra atliekamas joks veiksmas prie prietaiso, jis vėl bus užrakintas.
 - **12H – 24H.** Klavišais ▼ ir ▲ pasirenkamas režimas, kuriuo bus pateikiami laiko rodmenys. Pasirinkimas patvirtinamas, paspaudžiant 3.
 - **VERSION (versija).** Meniu, kuriame rodoma prietaiso programinės įrangos versija.

Jei yra užprogramuoti vienu metu atliekami veiksmai, reikia atsižvelgti, kad kai kuriems yra teikiama pirmenybė. Pirmenybės seka yra tokia: PERMANENT MODE (pastovus režimas) → MANUAL (rankinis) → PROG_01 → PROG_02 → ... → PROG_40

RESET. SET TO ZERO (atstatyti, nustatyti nulį).

Įjungtą budėjimo režime (pagrindinis ekranas). Reikia spausiti klavišą **C** ir vienu metu ilgiau nei 3 sekundes laikyti nuspauštus klavišus ▼ ir ▲, kad ekranas būtų įjungtas ir būtų ištrinamos visos užprogramuotos nuostatos. Atmintyje išliks 4 gamykloje nustatytos programos. Būtina įjungti prietaiso maitinimą. Taip pat galima greitai ištrinti tai, kas neturi įtakos programavimui, vienu metu paspaudžiant keturis klavišus. Būtina įjungti prietaiso maitinimą.

BATERIJOS KEITIMAS, 3 PAV.

The device has a power-reserve of 4 years, by means of a replaceable CR2032 lithium battery. Battery replacement is made by removing the battery holder placed on the front of the device through a flat-head screwdriver. Observe the battery polarity as marked on the battery holder.

When the battery is dead and the device is powered the battery symbol appears on screen.

NOTE: When changing the battery the device's programming is not lost, and neither is the current time.

IŠJUNKITE MAITINIMĄ, PRIEŠ KEISDAMI BATERIJĄ**TECHNINĖS SAVYBĖS**

Vardinė įtampa: nurodyta ant prietaiso
 Atsparumas: ± 10 %
 Aijungimo geba: μ 2 x 16 (10) A / 250 V~
 Didžiausia rekomenduojama aprova (N.D.): **2 pav.**
 Vidaus sąnaudos: daugiausiai 16 VA (1,3 W)
 Kontaktas: AgSnO₂ perjungiamas skystųjų kristalų su fono apšvietimu
 Ekranas: ± 1 s / dieną esant 23 °C
 Veikimo tikslumas: ± 0,15 s / °C / 24 val.
 Tikslumo kitimas pagal temperatūrą: 10 metų (neįjungiant į maitinimo tinklą)
 Maitinimo rezervas: 48 val. (be baterijos ir neįjungiant į maitinimo tinklą)
 Veiksmo tipas: 1S, 1T, 1U
 Programinės įrangos klasė ir struktūra: A klasė
 Atminties talpa: 40
 Kanalių skaičius: 2
 Veiksmų tipai: 2
 SUNRISE (saulėtekis), SUNSET (saulėlydis), FIXED TIME: ON/OFF (fiksotas laikas į / išj.), REDUC. (redukuinis)
 kasdien
 Astronominis koregavimas: -10 °C – +45 °C
 Darbinė temperatūra: -20 °C – +60 °C
 Gabenimo ir saugojimo temperatūra: 2
 Užterštumas: 2
 Apsaugos lygis: IP 20 pagal EN60529.
 Apsaugos klasė: II tinkamai sumontavus
 Pereinamojo impulse įtampa: 2,5 kV
 Rutulio bandymo temperatūra: + 80 °C esant 21.2.5
 Klaviatūros gaubtas: užsandarinamas
 Jungimas: su varžine jungtimi 4mm² didžiausio skersmens laidams
 Baterija: CR2032 - 3 V - 220 mAh
 Pakavimo dydis: 2 DIN moduliai (35 mm), **5 pav.**

ĮSPĖJIMAS:

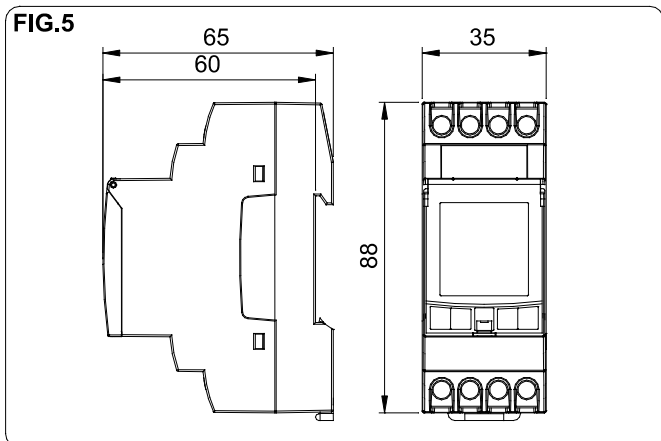
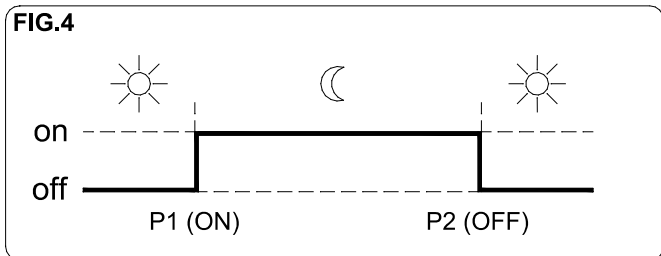
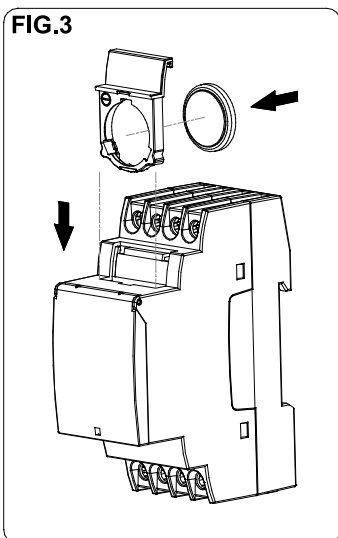
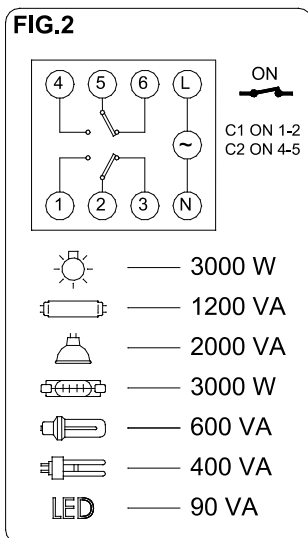
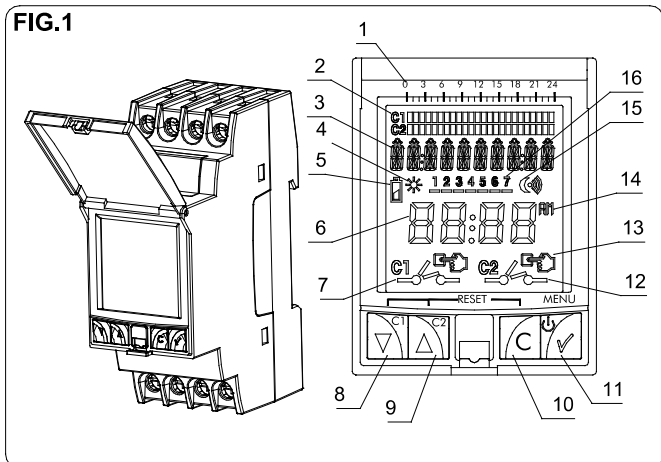


ASTROCLOCK-2

ETI Elektroelement, d.o.o.,
Obrezija 5, SI-1411 Izlake, Slovenia

POL

ASTRONOMICZNY PROGRAMATOR CZASOWY



RYS. 1

- | | |
|--|--|
| 1. Skala czasu | 2. Harmonogramy |
| 3. Linia tekstowa | 4. Symbol wschodu słońca |
| 5. Symbol rozładowania baterii | 6. Czas / data |
| 7. Symbol stanu przełącznika C1 | 8. Przycisk menu w dół / C1 praca w trybie ręcznym |
| 9. Przycisk menu w górę / C2 praca w trybie ręcznym | 10. Przycisk kasowania / powrotu w menu |
| 11. Przycisk zatwierdzania / Wejście do menu | 12. Symbol stanu przełącznika C2 |
| 13. Wskaźnik pracy ręcznej (miga) / Praca ręczna stała (świeci ciągle) | 14. 12 h / 24 h |
| 15. Symbol zachodu słońca | 16. Dni tygodnia |

INSTRUKCJA OBSŁUGI

ASTROCLOCK-2 jest cyfrowym astronomicznym programatorem czasowym przeznaczonym do sterowania pracą dowolnej instalacji elektrycznej na podstawie informacji o położeniu słońca, w szczególności takich jak pora wschodu słońca i zapadania zmiroku w danej lokalizacji każdego dnia w roku. Umożliwia wykonywanie operacji o stałej porze dnia, jak również włączanie i wyłączanie urządzeń w porze wschodu i zachodu słońca. Funkcje astronomiczne umożliwiają ustawienie korekcy do ± 9 godzin i 59 minut dla obu kanałów C1 i C2.

Ponadto urządzenie oferuje szereg dodatkowych funkcji, takich jak: automatyczna zmiana czasu z zimowego na letni, 4 okresy świąt, regulowana jasność ekranu.

Menu można wyświetlać w kilku językach, a ekran wyświetla harmonogram z programem dla bieżącego dnia tygodnia.

Urządzenie ma 2 niezależne i beznapięciowe przełączane obwody, które umożliwiają zaprogramowanie do 40 operacji.

INSTALACJA

OSTRZEŻENIE: Instalacji i montażu urządzeń elektrycznych powinien dokonać uprawniony monter.

PRZED INSTALACJĄ NALEŻY WYŁĄCZYĆ ZASILANIE.

Urządzenie ma wewnętrzny obwód chroniący przed zakłóceniami. Jego działanie może jednak zakłócić bardzo silne pole magnetyczne. Zakłóceń można uniknąć, jeśli podczas instalacji będzie się przestrzegać poniższych zasad:

- Urządzenia nie można instalować w pobliżu odbiorników indukcyjnych (silniki, transformatory, styczniki itp.).
- Zaleca się wykonanie osobnego obwodu zasilającego (o ile to możliwe, z filtrem sieciowym).
- Odbiorniki indukcyjne należy wyposażać w urządzenia przeciwzakłóceńowe (warystory, filtry RC).

Jeżeli programator jest stosowany w połączeniu z innymi urządzeniami w instalacji, należy się upewnić, czy powstały zespół nie generuje zakłóceń zewnętrznych.

PO ZAKOŃCZENIU INSTALACJI NALEŻY WŁĄCZYĆ ZASILANIE.

MONTAŻ

Montaż w szafie rozdzielczej na szynie TH35, zgodnie z normą EN 60715 (szyna DIN).

PODŁĄCZENIE

Zasilanie podłączyć zgodnie ze schematem przedstawionym na RYS. 2.

Należy przestrzegać połączeń fazy i zera. Sprawdzić wykonane podłączenie. Nieprawidłowe podłączenie może spowodować uszkodzenie urządzenia.

URUCHAMIANIE

URZĄDZENIE NALEŻY WŁĄCZYĆ, aby umożliwić sterowanie instalacją.

Wyświetlacz zostanie podświetlony i pojawi się ekran GŁÓWNY.

Gdy urządzenie nie jest zasilane, wyświetlacz pozostaje wyłączony. Dzięki wbudowanej baterii litowej wszystkie dane dotyczące daty i godzin programowania pozostaną zachowane przez czas rezerwy zasilania (10 lat). W razie instalacji bez baterii urządzenie ma awaryjną rezerwę zasilania na mniej więcej 4 dni.

Do ustawiania i programowania urządzenia służą cztery przyciski.

Wyświetlacz pokazuje następujące informacje:

- Harmonogram z operacjami dnia (znika w okresie świąt). Harmonogram dla każdego kanału z 24 segmentami, z których każdy odpowiada 1 godzinie.
- Linia tekstowa wyświetlacza przedstawia zamiennie następujące informacje:
 - Czasy WSCHODU i ZACHODU słońca dla danego dnia, z odpowiednim symbolem: Słońce ☀ = WSCHÓD / Księżyc ☾ = ZACHÓD

- Wybrane miasto
- Bieżąca data
- Praca STAŁA
- Aktywny tryb ŚWIĘTA
- Dokładny czas
- Symbol operacji ręcznej . Symbol ten miga, gdy włączone jest przełączanie ręczne. Jeżeli przełączanie jest STAŁE, symbol nie miga.
- Stan obwodów C1 / C2: ON , OFF

USTAWIENIA

Programator ASTROCLOCK-2 ma fabrycznie ustawioną datę i czas:

- Czas: GMT +1
- Strefa: Zgodnie z zamówieniem
- Korekcja astronomiczna: Wyłączona
- Zmiana czasu letniego na zimowy: Automatyczna
- Zmiana czasu zimowego na letni: Automatyczna
- Świeta: BRAK (4 okresy wyłączone)
- Programy: C1 i C2 wł. – zachód / C1 i C2 wył. – wschód (zob. RYS. 4)

PRACA W TRYBIE RĘCZNYM

Przyciski C1 i C2 służą do włączania lub wyłączania i ręcznego, czasowego przełączania stanów obwodów.

Nad obsługiwany kanałem na ekranie pojawi się migający symbol aż do ponownego przyśnięcia przycisków C1 lub C2, co spowoduje powrót do poprzedniego stanu. - Powrót do zaprogramowanego trybu nastąpi automatycznie przy pierwszym zaprogramowanym wpisie.

PROGRAMOWANIE

Programowanie odbywa się za pomocą różnych menu i podmenu, które służą do programowania operacji lub ustawiania urządzenia. Menu główne dostępne jest z ekranu czuwania za pomocą przycisku 3. Przyciski i służą do nawigacji po różnych menu, a

przyciśnięcie przycisku 3 powoduje wejście do wybranego menu. Aby powrócić do poprzedniego menu, należy przycisnąć przycisk C. Wartości do programowania są wyświetlane zawsze jako migające.

Struktura menu:

MENU GŁÓWNE

STREFA 3	KRAJ 3	MIASTO/ SZEROKOŚĆ I DŁUGOŚĆ GEOGRAFICZNEJ 3	WSHÓD KOR. 3	ZACHÓD KOR. 3
PROGRAMY 3	ENTER 3	PXX 3		
	KASOWANIE 3	EDYCJA 3	DELETE 3	
	ALLNIE 3	TYP (ON / OFF) 3		
	ALL TAK 3	KANAŁ 3		
		ZMROK 3		
USTAWIENIA 3	ZEGAR 3	JĘZYK 3	ZAAWANSOW 3	
			JASNOŚĆ 3	
			STALE ZAŁ 3	
			ŚWIĘTA 3	
			LICZNIK 3	
			ZIMA/LATO 3	
			HASŁO 3	
			12 H / 24 H 3	
			WERSJA 3	

STREFA. To pozwala nam wybrać kraj, w którym jest zainstalowany, do najbliższego miasta z listy miast lub za pomocą współrzędnych szerokości i długości geograficznej. Programator astronomiczny obliczy godzinę wschodu i zachodu słońca dla każdego dnia roku na podstawie położenia geograficznego i daty.

- Korekcja astronomiczna:** Po wprowadzeniu miasta można skorygować czas WSCHÓDU (WSCHÓD KOR) i ZACHODU (ZACH.KOR) słońca, aby dostosować go do różnych warunków topograficznych (na przykład ogrodzeń, cieni, innych budynków). W tym celu czas WSCHÓDU lub ZACHODU słońca można przyspieszyć lub opóźnić maksymalnie do 9 godzin i 59 minut. Skorygowany czas jest wyświetlany na ekranie w trakcie programowania.

Wybór najbliższego miasta

MENU 3	STREFA 3	KRAJ 3	MIASTO 3	WSCHOD korekta 3	ZACHOD korekta 3
		POLSKA 3	WARSZAWA 3	07:34 3	18:36 3

Wybieramy koordynować w Hiszpanii (szerokość: + 40° Północna, długość: -3° Wschód)

MENU 3	STREFA 3	KRAJ 3	LAT 3	LONG 3	WSCHOD korekta 3	ZACHOD korekta 3
		HISZPANII 3	40 (N) 3	-3 (E) 3	07:34 3	18:36 3

PROGRAMS (programy). W tym menu programuje się różne operacje. Dostępnych jest 40 komórek pamięci (od PROG_01 do PROG_40).

- ENTER: Wejście przyciskiem 3. Po wejściu uzyskujemy informację o aktualnym programie P-01 --- do P-40. Dostępne są opcje:

- EDIT (edycja) (jeżeli już zaprogramowano) – na ekranie pojawi się „P01: EDIT”.

Potwierdzenie przyciskiem 3.

- TYPE (typ): Przyciskami ▼ i ▲ wybrać typ operacji: ON, OFF (wł./wył.). Potwierdzenie przyciskiem 3.

- KANAŁ. Wybór programowanych kanałów, C1 i/lub C2.

- TYP OPERACJI. Wybór typu operacji:

- STAŁA GODZ: Wykonanie operacji o stałej wybranej godzinie.
- ZMROK-ZACH (zachód słońca): Wykonanie operacji dla zachodu słońca. Można skorygować czas zachodu słońca.
- ŚWIT-WSCH (wschód słońca): Wykonanie operacji dla wschodu słońca. Można skorygować czas wschodu słońca.
- REDUK. START (red. start): Wykonuje operację o stałym wybranym czasie, z priorytetem nad czasem zachodu.
- REDUK. END (red. koniec): Wykonuje operację o stałej wybranej godzinie z priorytetem czasu wschodu słońca

Następnie ustawia się godzinę i minuty operacji oraz kombinację dni tygodnia.

Program OKRESÓW ŚWIĄT

Jeżeli podczas zatwierdzania ostatniego dnia tygodnia przytrzymany został przycisk 3, operacja ta zostanie ustawiona jako święta/dni wolne. Na ekranie pojawi się tekst ŚWIĘTO. Za pomocą przycisków ▼ i ▲ należy wybrać jeden z 4 okresów świąt/dni wolnych.

- KASOWANIE. Przyciśnięcie przycisku 3 usuwa wybrany program. Ponieważ wszystkie programy są zapisane kolejno po sobie, usunięcie programu może oznaczać zmianę numerów przypisanych do innych programów.

- KASOWANIE (ALL TAK/ALL NIE). Umożliwia jednoczesne usunięcie wszystkich operacji z 40 programów.

Wybór programu włączania przy zachodzie słońca

Funkcja fabrycznie ustawiona na WŁ. przy zachodzie słońca.

MENU 3	PROGRAMY 3	ENTER 3	P01 3	EDIT 3	TYP 3
					ON 3
KANAŁ 3	OPERACJA 3	ZACHÓD korekta 3	Dni tygodnia 3		
C1 lub C2 3	ZMROK-ZACH 3	+0H00M 3	Pon...Nie 3	P01 OK 3	

Wybór programu włączania przy wschodzie słońca

Funkcja fabrycznie ustawiona na WYL. przy wschodzie słońca.

MENU 3	PROGRAMY 3	ENTER 3	P02 3	EDIT 3	TYP 3
					OFF 3
KANAŁ 3	OPERACJA 3	WSCHÓD korekta 3	Dni tygodnia 3		
C1 lub C2 3	ŚWIT-WSCH 3	+0H00M 3	Pon...Nie 3	P02 OK 3	
MENU 3	PROGRAMY 3	ENTER 3	P03 3	EDIT 3	TYP 3
					OFF 3
KANAŁ 3	OPERACJA 3	WSCHÓD korekta 3	Dni tygodnia 3		
C1 lub C2 3	STAŁA GODZ 3	00:00 3	Pon...Nie 3	P03 OK 3	

USTAWIENIA. Menu konfiguracji urządzenia.

- ZEGAR. Ustawia czas urządzenia. Ustawiane zmienne (kolejno): rok, miesiąc, dzień i minuta. Dzień tygodnia wyliczany jest automatycznie.
- JEZYK. Menu, w którym wybierany jest język komunikatów urządzenia.
- ZAAWANSOW. Menu, w którym dokonuje się większości ustawień urządzenia.

- JASNOŚĆ. Menu, w którym ustawia się jasność wyświetlacza. Dostępne są opcje: MINIMUM (najniższa), LOW (niska), MEDIUM (średnia), HIGH (wysoka) i MAXIMUM (maksymalna). Jasność ekranu zostanie ustawiona po potwierdzeniu wyświetlonego poziomu.

- STALE ZAŁ. Menu, w którym można ustawić działanie stałe (wł./wył.) kanału C1 i C2. Przyciskami ▼ i ▲ zmienia się dostępne opcje: C1: YES → C1: NO → C2: YES → C2: NO. Wybraną opcję potwierdza się przyciskiem 3. Urządzenie nie uwzględni programowania operacji dla danego kanału, jeżeli zostanie wybrana opcja YES (tak).

- ŚWIĘTA. Można zaprogramować 4 OKRES-y, w których operacje będą wykonywane odpowiednio dla ŚWIĘTA (okresów świąt/dni wolnych). Jeżeli dla okresu nie zaprogramowano operacji, w danym okresie kanały te pozostaną wyłączone. OKRES 1...4

- EDIT (edycja). Umożliwia programowanie miesiąca, dnia, godziny i minuty rozpoczęcia oraz miesiąca, dnia, godziny i minuty zakończenia okresu. Okres ten będzie powtarzany każdego roku.

- KASOWANIE. Usuwa wybrany okres.

- LICZNIK. Menu, które podaje czas włączenia każdego obwodu (w godzinach). Wyzerowanie licznika dla każdego kanału przyciskiem 3. Należy wybrać (USUN TAK) i potwierdzić.

- ZIMA/LATO (pora roku). Umożliwia ustawienie zmiany czasu z zimowego na letni i odwrotnie.

- AKTYWNY. Funkcja dokonuje automatycznej zmiany czasu z zimowego na letni i odwrotnie, zgodnie z przepisami obowiązującymi w danym kraju. (W krajach UE jest to ostatnia niedziela marca i ostatnia niedziela października)

- NIEAKTYWNY. Nie dokonuje żadnych zmian.

- HASŁO. Menu włączania lub wyłączania blokady klawiatury, zapobiegającej nieuprawnionemu dostępowi do ustawień urządzenia.

- NIEAKTYWNY. Blokada klawiatury wyłączone.

- AKTYWNY. Blokady klawiatury włączone. Należy wprowadzić czterocyfrowy kod PIN. Zabezpieczenie zostanie aktywowane po 30 sekundach od wyjścia z menu ustawień i po powrocie do wyświetlania w trybie czuwania. Od tej chwili naciśnięcie dowolnego przycisku spowoduje wyświetlenie na ekranie komunikatu „HASŁO”. Aby odblokować dostęp do urządzenia, należy wprowadzić „HASŁO” podany podczas aktywowania funkcji. Urządzenie pozostanie odblokowane przez 10 sekund. W tym czasie można będzie wejść do menu ustawień, przyciskając przycisk 3, lub wykonać inne operacje. Po 30 sekundach bezczynności urządzenie zostanie ponownie zablokowane.

- 12 h – 24 h. Przyciskami ▼ i ▲ dokonuje się wyboru trybu wyświetlania godziny.

Wybór potwierdza się przyciskiem 3.

- WERSJA. Funkcja wyświetla wersję oprogramowania urządzenia.

W przypadku zaprogramowania różnych funkcji w tym samym czasie należy pamiętać, że funkcje te mają różne priorytety. Kolejność priorytetów: STALE ZAŁ. (tryb stały) → ZAŁ/WYL. (ręczne) → PROG_01 → PROG_02 → ... → PROG_40

KASOWANIE, ZEROWANIE.

W trybie czuwania (ekran główny) przycisnąć przycisk C oraz przycisnąć i przytrzymać przyciski ▼ i ▲ równocześnie na ponad 3 sekundy. Wyświetlacz wyłączy się. Wszystkie programy zostaną usunięte. W pamięci zostaną 4 programy zapisane fabrycznie (P1,P2,P3,P4- patrz rys.4). Urządzenie należy włączyć.

Przyciskając równocześnie cztery przyciski, można dokonać szybkiego usunięcia danych STREFY I ZEGARA bez wpływu na programowanie. Urządzenie należy włączyć.

WYMIANA BATERII. RYS. 3

The device has a power-reserve of 4 years, by means of a replaceable CR2032 lithium battery. Battery replacement is made by removing the battery holder placed on the front of the device through a flat-head screwdriver. Observe the battery polarity as marked on the battery holder.

When the battery is dead and the device is powered the battery symbol appears on screen.

NOTE: When changing the battery the device's programming is not lost, and neither is the current time.

ABY WYMIENIĆ BATERIĘ, NALEŻY WYŁĄCZYĆ ZASILANIE

PARAMETRY TECHNICZNE

Napięcie znamionowe	230V (± 10%)
Maks. Prąd styku	μ 2x16 (10) A / 250 V~
Maksymalne obciążenia	RYS. 2
Pobór mocy przez urządzenie	Maks. 16VA (1,3 W)
Styki	AgSnO ₂ przelączne.
Wyświetlacz	Ciekokrystaliczny podświetlany
Dokładność	± 1 s / dzień przy 23°C
Zmiany dokładności w temperaturze	± 0,15 s / °C / 24 h
Rezerwa zasilania	10 lat (bez połączenia sieciowego) 48 h (bez baterii i bez połączenia sieciowego)
Typ pracy	1S, 1T, 1U
Klasa i struktura oprogramowania	Klasa A
Komórki pamięci	40
Liczba kanałów	2
Rodzaje operacji	WSCHÓD, ZACHÓD, STAŁY CZAS (WŁ.WYL.), REDUK.(START/END)
Nastawy astronomiczne	Codziennie
Temperatura pracy	od -10°C do +45°C
Temperatura transportu i przechowywania	od -20°C do +60°C
Stopień zanieczyszczenia	2
Stopień ochrony	IP 20 zgodnie z EN60529
Klasa ochronności	II w prawidłowych warunkach montażu
Odporność przepięciowa	2,5 kV
Temperatura próby kulowej	+ 80°C dla 21.2.5
Pokrywa klawiatury	Uszczelniana
Podłączenie	Zaciski śrubowe dla przewodów o przekroju maks. 4 mm ²

OSTRZEŻENIE:

Programator zawiera baterię, której składniki mogą być szkodliwe dla środowiska naturalnego. Pozbywając się produktu, należy wyrzucić baterię do odpowiedniego pojemnika lub przesać produkt z powrotem do producenta.



ASTROCLOCK-2

ETI reserves the rights to modify any technical information. More info: www.etigroup.eu

ETI Elektroelement, d.o.o.,
Obrezija 5, SI-1411 Izlake, Slovenia

РУС

АСТРОНОМИЧЕСКИЙ ТАЙМЕР

РИС. 1

- | | |
|--|---|
| 1. Шкала времени | 2. Хронограмма времени |
| 3. Текстовая строка | 4. Индикация восхода солнца |
| 5. Индикация уровня заряда батареи | 6. Время / Дата |
| 7. Состояние канала C1 | 8. Меню вниз / канал C1 ручное управление |
| 9. Меню вверх / канал C2 ручное управление | 10. Отмена выбора / Возврат в меню |
| 11. Сохранение выбора / Старт меню | 12. Состояние канала C2 |
| 13. Ручное управление (мигающий значек) / Постоянно включен (отображается постоянно) | 14. 12/24 формат времени |
| 15. Индикация заката солнца | 16. Дни недели |

ИНСТРУКЦИЯ ПО ПРИМЕНЕНИЮ

ASTROCLOCK-2 представляет собой цифровой астрономический таймер, позволяющий автоматически управлять различными типами нагрузки, в зависимости от географического расположения и от времени восхода и захода солнца. Есть возможность проведения корректировки устройства до ± 9 часов 59 минут в обоих каналах C1 и C2.

Кроме того, он имеет ряд дополнительных функций, таких как: автоматический переход на летнее / зимнее время, 4 праздничных периода и регулировка яркости экрана.

Меню может использоваться на нескольких языках и отображать на экране график текущего дня.

Реле имеет 2 независимых сухих контакта, есть возможность программировать до 40 действий на канале 1 и / или канале 2.

УСТАНОВКА

ВНИМАНИЕ: Установка устройства должна производиться квалифицированным персоналом в соответствии с правилами безопасной эксплуатации электроустановок.

Подключение должно осуществляться при отключенном напряжении питания.

Устройство имеет внутреннюю защиту от воздействия электромагнитных полей, но особо сильные поля могут оказывать влияние на работоспособность прибора. Во избежание таких случаев, следует соблюдать приведенные ниже рекомендации во время установки:

- не устанавливайте устройство вблизи устройств с индуктивными нагрузками (двигатели, трансформаторы, пускатели т.д.)
- питание устройства должно осуществляться от отдельной линии (при необходимости оснащенной сетевым фильтром)
- при индуктивных нагрузках должны применяться помехоподавляющие устройства (варисторы, RC - фильтры)

Если таймер используется с другими устройствами, то необходимо удостовериться, что ими не будут создаваться сильные электромагнитные поля.

Подача питания на устройство возможна только после полной его установки.

МОНТАЖ

Установка устройства производится на шину 35 мм в соответствии с EN 60715.

ПОДКЛЮЧЕНИЕ

Подключение осуществляется согласно схеме, приведенной на РИС. 2. Соблюдайте правильность подключения фазного и нейтрального проводника. Неправильное подключение устройства может привести к выходу его из строя.

НАЧАЛО РАБОТЫ

Для начала работы астрономического таймера, следует подать на него напряжение питания.

Дисплей засветится и отобразится главное меню. При отсутствии питания дисплей устройства отключен, однако данные, даты и программы сохраняются 10 лет благодаря встроенному литий-ионному аккумулятору. В случае, если устройство установлено без аккумулятора, запас аварийного питания обеспечивается на 48 часов.

В данном устройстве есть 4 режима программирования и установок.

Дисплей отображает следующую информацию:

- Таблица времени с операциями за день (она не отображается в праздничные дни). Таблица времени для каждого канала содержит 24 деления, каждое из которых эквивалентно 1 часу.
- На дисплее имеется информационная строка, которая последовательно отображает следующую информацию:

- Время SUNRISE (восхода) и SUNSET (заката) с помощью символов:
Sun ☼ = SUNRISE / Moon ☾ = SUNSET
- Выбранный город
- Дата
- PERMANENT operation (постоянно включен)
- Active HOLIDAY period (активен режим «Каникулы»)
- Время
- Символ мигает при ручном управлении, при режиме «постоянно включен» символ отображается на экране.
- Положение каналов C1 / C2: ON , OFF

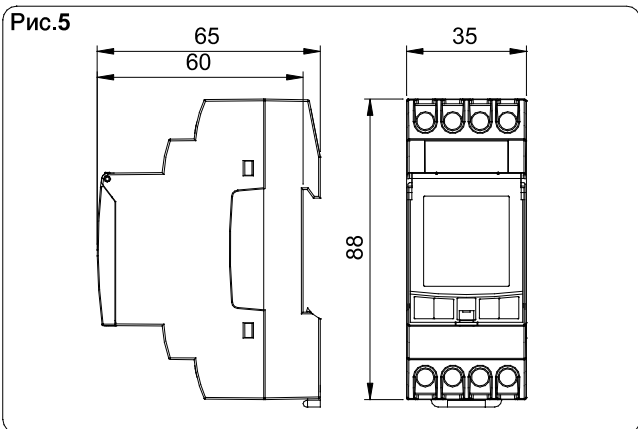
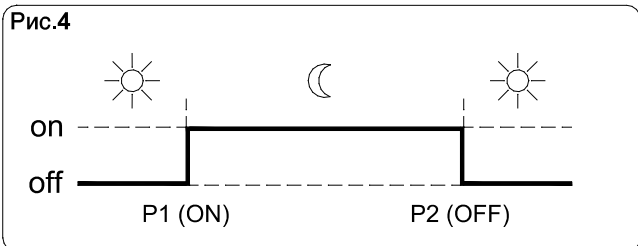
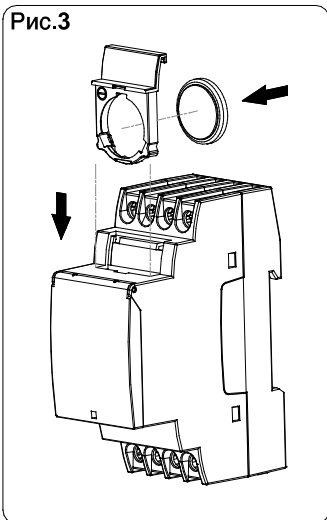
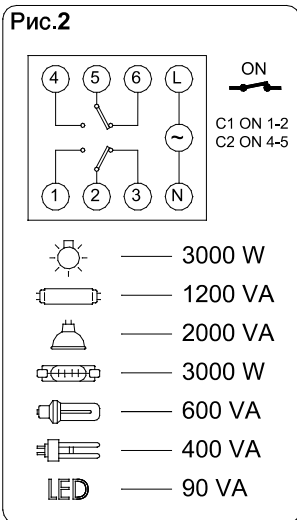
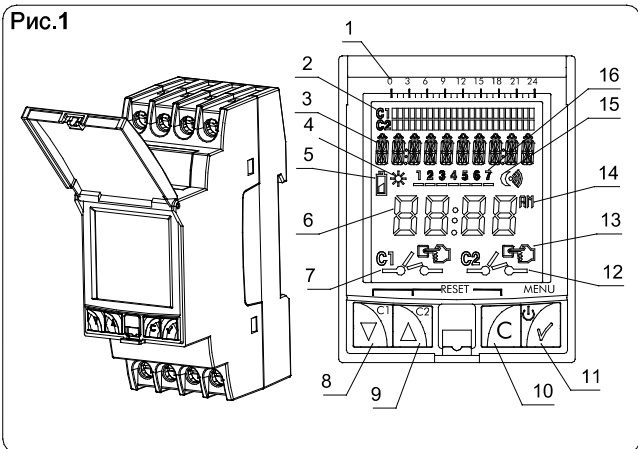
НАСТРОЙКИ

ASTRO CLOCK-2 имеет заводские настройки, которые включают текущую дату и время:

- Время: GMT +1
- Географическая зона: В соответствии с назначением
- Астрономическая корректировка: Недоступна
- Переход на летнее время: Автоматически
- Переход на зимнее время: Автоматически
- Каникулы: NO (4 периода недоступны)
- Программы: C1 и C2 вкл. на закате / C1 и C2 откл. на рассвете (см. РИС. 4)

РУЧНОЙ РЕЖИМ

Переключение в ручной режим происходит нажатием кнопок ▼ C1 или C2 ▲.



На экране появится мигающий символ над управляющим каналом, при повторном нажатии ▼ C1 или C2 ▲ устройство вернется в предыдущий режим.

ПРОГРАММИРОВАНИЕ

Программирование возможно с помощью пунктов меню и подменю, с помощью которых мы можем перейти к определенной программе или настроить устройство. Вход в главное меню осуществляется с помощью нажатия кнопки 3. С помощью нажатия кнопок ▼ и ▲ можно выбрать нужный пункт меню, и нажав кнопку 3, войти в него. Чтобы вернуться к предыдущему пункту меню нажмите кнопку C.

Результаты программирования отображаются на экране мигающими символами

Структура меню следующая:

ГЛАВНОЕ МЕНЮ

3 ZONE 3 COUNTRY 3 CITY /LAT-LONG 3 SUNRISE CORR. 3 SUNSET CORR.

3 PROGRAMS 3 ENTER 3 PXX

3 DELETE 3 EDIT 3 DELETED

3 ALL NO 3 TYPE

3 ALL YES 3 CHANNEL

3 MANOEUVRE

3 SETTINGS 3 CLOCK 3 LANGUAGE 3 ADVANCED

3 BRIGHTNESS

3 PERMANENT

3 HOLIDAYS

3 COUNTERS

3 SEASON

3 PIN CODE

3 12 H / 24 H

3 VERSION

ZONE. Это позволяет нам выбрать страну, где он установлен, в ближайший город из списка городов, или с помощью координат широты и долготы. Астрономический таймер рассчитывает восход и заход солнца на каждый день года на основе географического положения и даты.

■ **Астрономические изменения:** После выбора города, время Восхода и Захода солнца может быть изменено, чтобы адаптировать его к различным топографическим условиям (например: заборы, тени от зданий ...). Для этого мы можем изменить время Восхода или Заката солнца до (±9 час 59 мин), при этом на экране отобразится исправленное время.

Выбираем ближайший город

МЕНЮ	3	СТРАНА	3	ГОРОД	3	ВОСХОД Испр.	3	ЗАКАТ Испр.
МЕНЮ	3	ЗОНА	3	СЛОВЕНИЯ	3	ЛЮБЛЯНА	3	06:44 3 19:07

Мы выбираем координаты в Испании + 40 ° Северной, -3° Это

МЕНЮ	3	СТРАНА	3	LAT	3	LONG	3	ВОСХОД Испр.	3	ЗАКАТ Испр.
МЕНЮ	3	ЗОНА	3	СЛОВЕНИЯ	3	40 (N)	3	-3 (E)	3	07:34 3 18:36

PROGRAMS. В таймере предусмотрено 40 ячеек памяти (PROG_01 до PROG_40).

ENTER: Для входа нажмите 3. После входа на экране появляется информация о текущей программе P-01 ---- P-40, далее возможны такие действия

EDIT (если программа задана "P01: РЕДАКТИРОВАТЬ" нажатием кнопки 3 подтвердите свое действие.

- TYPE: С помощью кнопок ▼ и ▲ выбираем режим: ON (ВКЛ), OFF (ВЫКЛ).

Подтверждаем нажатием кнопки 3.

- CHANNEL: Выбираем канал C1 и/или C2.

- MANOEUVRE. Выбираем режим работы:

- FIXED: Срабатывание таймера в определенное выбранное время.
- SUNSET: Режим работы закат. Время заката может быть изменено.
- SUNRISE: Режим работы восход. Время восхода может быть изменено.
- GO SAVING: Срабатывание таймера в определенное выбранное время приоритетно над временем заката.
- END SAVING: Срабатывание таймера в определенное выбранное время до времени восхода солнца, так как время восхода является приоритетным. Далее, выбираем время, а именно часы, минуты и сочетание дней недели.

РЕЖИМ КАНИКУЛЫ HOLIDAYS

Если при просмотре последнего дня недели, нажать и удерживать кнопку 3, то этот день определяется как праздник и на экране появляется слово HOLIDAYS. С помощью клавиш ▼ и ▲ мы выбираем один из 4 праздничных периодов.

DELETE. При просмотре программы с помощью нажатия кнопки 3 можно ее удалить. Так как все программы хранятся в последовательном порядке, удаление программы может повлечь изменение номера, присвоенного каждой программе.

- DELETE. Позволяет удалить все 40 программ всего за один шаг.

Пример установки программы Закат

Данная программа установлена в таймере по умолчанию.

МЕНЮ	3	PROGRAMS	3	ENTER	3	P01	3	EDIT	3	ТИП
МЕНЮ	3	PROGRAMS	3	ENTER	3	P01	3	EDIT	3	ON
КАНАЛ		РЕЖИМ		ЗАКАТ Испр.		День недели				
C1 and C2		SUNSET		+0H00M		Mon...Sun				P01 OK

Пример установки программы выключения на рассвете

Данная программа предусмотрена заводскими настройками по умолчанию.

МЕНЮ	3	PROGRAMS	3	ENTER	3	P02	3	EDIT	3	ТИП
МЕНЮ	3	PROGRAMS	3	ENTER	3	P02	3	EDIT	3	OFF

КАНАЛ	РЕЖИМ	ЗАКАТ Испр.	День недели	P02 OK
C1 and C2	SUNRISE	+0H00M	Mon...Sun	P02 OK

Пример установки программы выключения в 12 часов дня.

МЕНЮ	3	PROGRAMS	3	ENTER	3	P03	3	EDIT	3	ТИП
МЕНЮ	3	PROGRAMS	3	ENTER	3	P03	3	EDIT	3	OFF

КАНАЛ	РЕЖИМ	День недели	P03 OK
C1 and C2	FIXED TIME	00:00	Mon...Sun

SETTINGS. Меню, в котором происходит настройка параметров устройства.

- CLOCK. Меню, где задается время. Данные идут в следующем порядке: Год, месяц, день, минута. День недели вычисляется автоматически.
- LANGUAGE. Меню, где выбирается язык устройства.
- ADVANCED. Меню, где возможно выполнить большинство настроек таймера.
 - BRIGHTNESS. Подменю, где можно выбрать яркость дисплея. MINIMUM, LOW, MEDIUM, HIGH, or MAXIMUM. Яркость экрана можно регулировать после активации соответствующего индикатора.
 - PERMANENT. Меню, с помощью которого можно выполнять текущие действия (Вкл / Выкл) канала C1 и канала C2. Кнопками ▼ и ▲ перемещаемся по различным опциям: C1: ДА → C1: НЕТ → C2: ДА → C2: НЕТ. С помощью 3 активируется необходимая опция. Устройство не будет реагировать на промежуточные программирование выбранного канала, если выбран YES OPTION.
 - HOLIDAYS. Есть 4 периода, которые можно запрограммировать для выполнения определенных действий праздничных периодов. Если на данный праздничный период не запрограммированы никакие действия, канал будет оставаться в отключенном состоянии OFF. PERIOD 1 ... 4
 - EDIT. Месяц, день, час и минута начала и конца периода программируются. Период повторяется из года в год.
 - DELETE. Отмена выбранного периода.
 - COUNTERS. Меню, в котором указывается время в часах активного состояния (включения). Получая доступ к каждому счетчику с помощью 3 можно произвести сброс на 0. Выберите DELETE YES и активируйте.
 - SEASON. Позволяет корректировать переход с летнего на зимнее время и наоборот.
 - ACTIVE. Автоматический перевод времени с зимнего на летнее и наоборот, в соответствии с нормами каждой страны. (в Европе – в последнее воскресенье марта и последнее воскресенье октября)
 - INACTIVE. Не переводит время.
 - PIN CODE. Активирует и деактивирует блокировку клавиатуры для предупреждения нежелательного доступа к настройкам устройства.
 - INACTIVE. Блокировка клавиатуры отключена.
 - ACTIVE. Блокировка клавиатуры активна. Требуется ввести четырехзначный код. Эта защита активна на протяжении 30 секунд, после этого осуществляется выход и возврат к режиму ожидания дисплея. С этого момента при нажатии любой клавиши на экране появляется окошко «PIN CODE». Для разблокировки доступа к устройству необходимо ввести код, запрограммированный при активации. Устройство будет разблокировано на протяжении 10 секунд. За это время можно зайти в меню настроек с помощью 3 или выполнить любое другое действие. Если в течении 30 секунд с устройством не проводить никакие действия, то оно снова блокируется.
 - 12H – 24H. Кнопками ▼ и ▲ выбирается режим желаемого отображения времени. Выбор подтверждается с помощью 3.
 - VERSION. Меню, в котором отображается версия программного обеспечения устройства.

Если на одно и то же время запрограммировано несколько действий, следует помнить, что одни действия имеют приоритет над другим. Порядок приоритетности выглядит следующим образом:

PERMANENT MODE → MANUAL → PROG_01 → PROG_02 → ... → PROG_40

СБРОС. УСТАНОВКА НА 0.

Начиная с режима ожидания (главный экран), нажмите клавишу C и, удерживая ее в нажатом положении, нажмите одновременно клавиши ▼ и ▲ на время более 3 сек. Дисплей отключится, все программы сойдутся. В памяти останутся 4 программы, предусмотренные заводскими настройками. Можно также выполнить отмену, не влияющую на программирование с помощью одновременного нажатия 4 клавиш. Устройство следует включить.

ЗАМЕНА АККУМУЛЯТОРА. Рис. 3

The device has a power-reserve of 4 years, by means of a replaceable CR2032 lithium battery. Battery replacement is made by removing the battery holder placed on the front of the device through a flat-head screwdriver. Observe the battery polarity as marked on the battery holder.

When the battery is dead and the device is powered the battery symbol appears on screen.

NOTE: When changing the battery the device's programming is not lost, and neither is the current time.

ДЛЯ ЗАМЕНЫ АККУМУЛЯТОРА ОТКЛЮЧИТЕ ПИТАНИЕ ОТ СЕТИ

ТЕХНИЧЕСКИЕ ХАРАКТЕРИСТИКИ

Номинальное напряжение	Указано на устройстве
Отклонение	± 10%
Коммутационная способность:	μ 2x16 (10) A / 250 V~
Максимальная рекомендуемая нагрузка (N.A):	Указана на рис. 2
Потребление	Максимум 16 VA (1,3 W)
Контакт	AgSnO ₂ переидной.
Дисплей	ЖК с подсветкой
Точность хода	± 1 с / день при 23 °C
Отклонение точности при изменении температуры	± 0.15 с / °C / 24 ч
Резервное питание	10 лет (Без подключения к сети)
	48 ч (Без батареи и без подключения к сети)
Тип действия	1S, 1T, 1U
Класс программного обеспечения	Класс А
Объем памяти	40 ячеек
К-во каналов	2
Виды регулировки	SUNRISE, SUNSET, FIXED TIME: ON/OFF, REDUC.
Астрономическая регулировка	Ежедневно
Рабочая температура	-10 °C ... +45 °C
Складская и температура транспортировки	-20 °C ... +60 °C
Степень загрязнения	IP 20
Степень защиты	II в соответствии с EN60529
Класс защиты	II в соответствии с правильным монтажом

Электрическая прочность 2.5 kV
 Температура испытания + 80 °C для процедуры тестирования 21.2.5
 Крышка доступа к клавиатуре Пломбируется
 Сечение подключаемых проводников 4mm²
 Аккумулятор CR2032 - 3 V - 220 mAh
 Габариты 2 DIN модуля (35 мм) ПИС. 5

ВНИМАНИЕ:

Таймер содержит в себе аккумулятор, содержимое которого может быть вредными для окружающей среды. Утилизировать данный продукт следует либо, поместив его в соответствующий контейнер, либо отправив обратно на завод - изготовитель.

Гарантийный срок эксплуатации составляет 3 года со дня продажи при условии соблюдения потребителем правил эксплуатации, транспортирования и хранения. Дата изготовления указана на продукте четырьмя цифрами ААММ.



ASTROCLOCK-2

ETI reserves the rights to modify any technical information. More info: www.etigroup.eu

ETI Elektroelement, d.o.o.,
 Obrezija 5, SI-1411 Izlake, Slovenia

SVN

DIGITALNO ČASOVNO STIKALO

FIG. 1

- | | |
|--|------------------------------|
| 1. časovna skala | 2. časovni diagram poteka |
| 3. Text | 4. Simbol sončni vzhod |
| 5. Indikacija prazne baterije | 6. čas / datum |
| 7. Stanje C1: ON , OFF | 8. Meni dol / C1 ročni način |
| 9. Meni gor / C2 ročni način | 10. Prekliči / Meni nazaj |
| 11. Potrditev / Izбира menija | 12. Stanje C2: ON , OFF |
| 13. Ročno način (utripajoč) / stalni način(fiksni) | 14. 12 H / 24 H |
| 15. Simbol sončni zahod | 16. Dnevi v tednu |

OPIS

ASTRO CLOCK-2 je digitalno časovno stikalo, ki se uporablja pri krmiljenju el. naprav glede na čas sončnega vzhoda in zahoda ali fiksen čas. Programski algoritem v napravi samodejno preračunava dnevne spremembe sončnega vzhoda in zahoda, kar upošteva pri aktiviranju in deaktiviranju izbranega relejskega izhoda naprave. Ker je naprava majhnih dimenzij, standardne širine dveh modulov, je idealna za namestitvev na nadzorne plošče, kjer je razpoložljivi prostor za namestitvev navadno omejen. Naprava vsebuje dva neodvisna relejska tokokroga C1 in C2, ki ju je mogoče neodvisno programirati glede na astronomski ali fiksen čas. Čas sončnega vzhoda in zahoda je možno tudi prilagoditi z nastavitvijo zakasnitve v območju +/- 9ur 59 min za oba izhoda. Dodatne funkcije omogočajo: izbiro avtomatskega prehoda ure med zimskim in letnim režimom, 4 termini počitnic, osvetlitev prikazovalnika. Programski meni ima možnost prikaza tudi v drugih jezikih. Št. programskih mest je 40, kar omogoča več kot dovolj možnosti vklopa in izklopa obeh neodvisnih relejskih izhodov.

PRIKLJUČITEV

POZOR: Električne naprave lahko namešča in sestavlja le usposobljen monter. PRED NAMESTITVIJO NAPRAVE JE POTREBNO IZKLJUČITI ELEKTRIČNO NAPAČANJE IN GA VKLUČITI ŠELE PO ZAKLJUČKU POSTOPKA. ZELO POMEMBNO: Naprava že vsebuje zaščitne elemente za zaščito pred elektromagnetnimi motnjami. Kljub temu pa lahko posebno močna elektromagnetna polja spremenijo njeno delovanje. Takšnim motnjam se je mogoče izogniti tako, da pri namestitvi upoštevate naslednja navodila:

- Naprave ne nameščajte v bližini virov induktivnih obremenitev (motorji, transformatorji, kontaktorji itd.)
- Priporočena je uporaba ločenega el. tokokroga (po potrebi opremljen s filtri).
- Vire induktivnih obremenitev je potrebno opremiti z elementi za omejevanje motenj (varistor, RC filter) čim bližje izvoru.

Če se bo časovno stikalo uporabljalo v kombinaciji z drugimi napravami v instalaciji, se je treba prepričati, da ta skupina naprav ne bo povzročala dodatnih motenj, ki bi vplivale na delovanje naprave.

VGRADNJA

Naprava je predvidena za montažo na letev širine 35 mm po standardu EN 60715 (DIN Rail).

SHEMA

Naprava naj se poveže skladno s shemo na FIG. 2. Polariteta priključitve naprave je pomembna, napačen priklop lahko poškoduje napravo.

ZAGON NAPRAVE

Za normalno delovanje mora naprava biti priključena na vir napetosti. Ob priklopu bo zasvetil zaslon in pojavil se bo glavni meni. Ko naprava ni priključena, zaslon ne bo osvetljen. Rezervno napajanje zagotavlja shranjevanje nastavitvev, čas in datum za dobo 10 let. Za primer menjave baterije pa vsebuje tudi sekundarno rezervno napajanje, ki zadostuje za 48 ur.

- Naprava že tovarniško vsebuje prednastavljene programe, ki jih je možno urediti ali izbrisati. Vsebuje program za vklop obeh kanalov ob sončnem zahodu in izklop ob sončnem vzhodu.

ROČNI NAČIN

Izhoda je možno krmiliti ročno s tipkama ▼ C1 or ▲ C2. V ročnem načinu bo indikator stanja izhoda utripal.

PROGRAMIRANJE NAPRAVE

Programiranje naprave se vrši s pomočjo smernih tipk na napravah programskih menjih. Vstop v glavni meni s tipko 3. S tipkami ▼ in ▲ pomik po menjih, tipka 3 potrditev izbire in vstop v naslednji meni. Tipka C za vrnitev nazaj, oziroma meni višje

FIG. 1

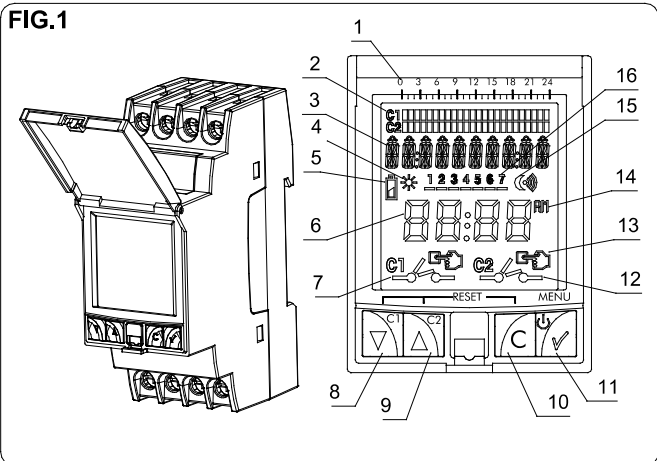


FIG. 2

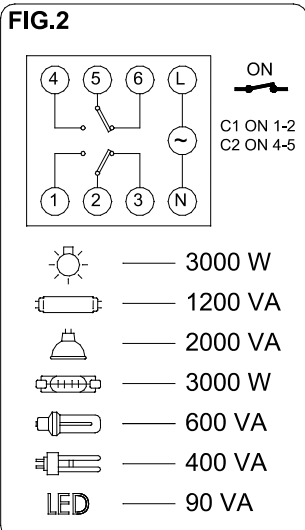


FIG. 3

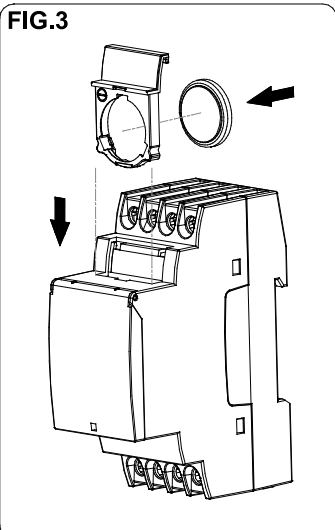


FIG. 4

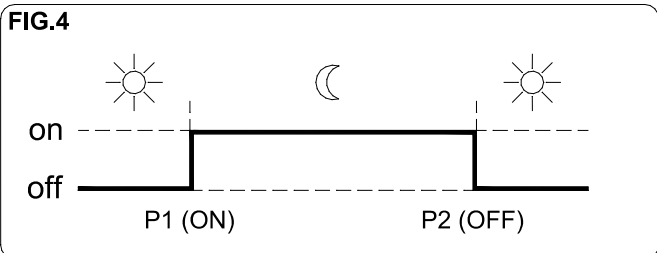
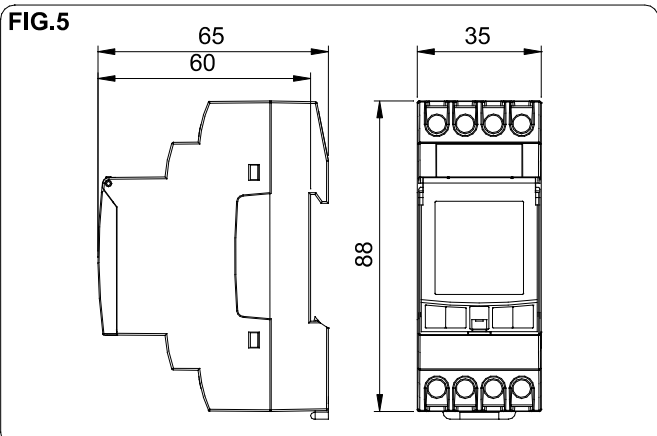
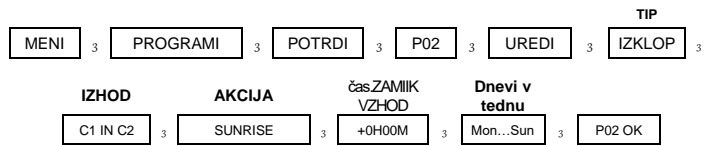


FIG. 5



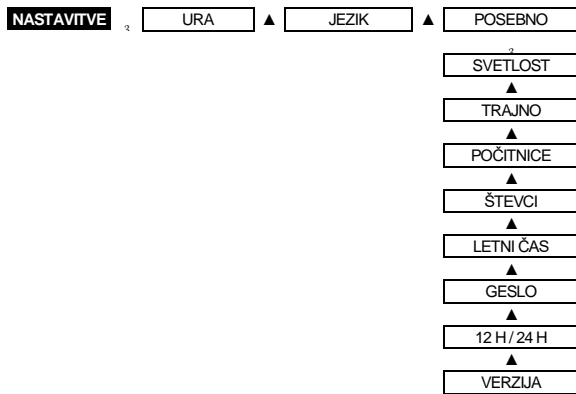
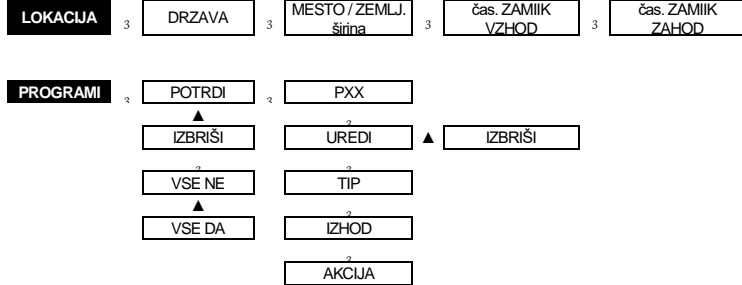
Parametri, ki jih je možno nastaviti se prikažejo utripajoče.

IZKLOP obeh kanalov ob sončnem vzhodu



STRUKTURA MENIJEV:

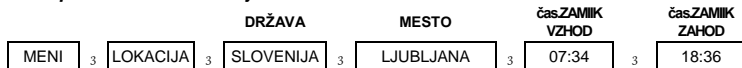
GLAVNI MENI



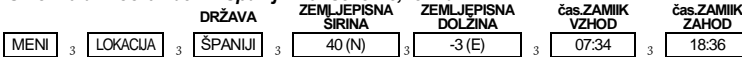
LOKACIJA. To nam omogoča, da izberete državo, v kateri je nameščen, najbližje mesto s seznama mest, ali koordinate zemljepisne širine in dolžine. Naprava bo nato za vsak dan sproti izračunala čas sončnega vzhoda in zahoda glede na datum in lokacijo

Čas. zamik vzhoda in zahoda: Čas sončnega vzhoda, oziroma zahoda je možno tudi korigirati z vpisom zelene zakasnitve do +/- 9ur 59min, privzeta nastavitve je +00H00M.

Postopek nastavitve lokacije



Smo izbrali koordinati v Španiji +40° severne, -3° Ta



PROGRAMI Meni za nastavitve izhodov po programih. Na razpolago je 40 programskih mest (PROG_01 do PROG_40).

OPIS MENIJA PROGRAMI:

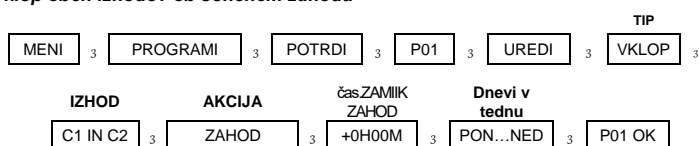
- POTRDI: IZBIRA PROGRAMA
- UREDI: za urejanje že vpisanih programov
- TIP: izbira položaja izhoda: VKLOP, IZKLOP.
- IZHOD: Izbira enega od kanalov C1 ali C2.
- AKCIJA: način delovanja izhoda
 - FIKSNO: izhod reagira glede na programiran čas.
 - ZAHOD: izhod reagira glede na sončni zahod, ki ga je možno korigirati
 - VZHOD: izhod reagira glede na sončni vzhod, ki ga je možno korigirati
 - VARČ. START: začetek varčevalnega režima ob fiksni uri, funkcija ima prioriteto nad funkcijo ZAHOD.
 - VARČ. KONEC: Konec varčevalnega režima pri fiksni uri pred sončnim vzhodom. Funkcija VZHOD ima prioriteto nad to funkcijo. Sledi nastavitve časa AKCIJE in aktivnih dnevov v tednu.

POČITNICE

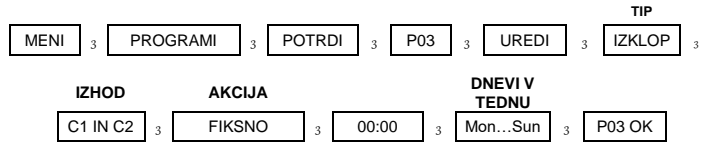
Pri potrjevanju aktivnih dnevov v tednu s držanjem tipke 3 definiramo ta program kot program kateri se bo izvajal v času počitnic, na zaslonu sledi beseda HOLIDAYS, sledi izbira kateri izmed 4 terminov počitnic bo vseboval ta program.

- IZBRIŠI. Pri brisanju vmesnih programov, se bodo višji programi prestavili ustrezno število mest nižje.

Vklop obeh izhodov ob sončnem zahodu



IZKLOP obeh kanalov fiksni čas ob 24:00 za izbrane dneve v tednu.



NASTAVITVE. Konfiguracija naprave.

- čas Nastavitve datuma in ure. Naprava glede na datum samodejno določi dan v tednu.
- JEZIK. Na izbiro je več različnih jezikov menija, tudi slovenski.
- POSEBNO. Meni s posebnimi nastavitvami za bolj izkušene uporabnike.
 - SVETLOST. Nastavitve osvetljenosti zaslona.
 - TRAJNO. Nastavitve omogoča trajen zaklep izhoda na želeno pozicijo, stanje izhoda nato definiramo v glavnem meniju s tipkama C1 in C2.
 - POČITNICE. Možna je nastavitve 4 terminov počitnic. V izbranem terminu bosta izhoda delovala kot je definirano v meniju programi za izbrani termin, če to ni definirano potem bosta izhoda neaktivna ves čas počitnic.
 - UREDI. Nastavitve datuma in ure začetka in konca termina
 - IZBRIŠI. Brisanje izbranega termina
 - ŠTEVCI. Podatek pove koliko skupnega časa je bil kateri od izhodov aktiven Podatek je možno resetirati
 - LETNI ČAS. Opcija režima zimsko/letni čas ure.
 - AKTIVNO. Aktivno, pomeni, da se bo ura spreminjala samodejno kot je definirano v EU.
 - NEAKTIVNO. Samodejna sprememba ure ni omogočena.
 - GESLO. Zaklep naprave pred nepooblaščenim dostopom
 - NEAKTIVNO. Zaklep ni omogočen
 - AKTIVNO. Zaklep omogočen. Po vnosu zelenega gesla bo naprava odklenjena še 30s, nato po neaktivnosti(stand-by) zahteva vpis prej izbranega gesla za vnos sprememb. Ko je geslo vpisano je dostop do naprave omogočen, nato se naprava zopet zaklene.
 - 12H – 24H. Prikaz časa v načinu 12H ali 24H.
 - VERZIJA. Programska verzija

PRIORITETE AKCIJ:

TRAJNO → ROČNO → PROG_01 → PROG_02 → → PROG_40

RESET. PONASTAVITEV NA PRIVZETE TOVARNIŠKE NASTAVITVE

V mirujočem (glavnem) zaslonu, pritisnite gumb C, hkrati pa istočasno več kot 3 sekunde pritisnite gumba ▼ in ▲. Naprava se mora vključiti. Prav tako lahko izvedemo hitro brisanje, ki ne vpliva na programiranje in sicer z enkratnim pritiskom na vse štiri gumbje. Naprava se mora vključiti.

ZAMENJAVA BATERIJE. Glej FIG. 3

Enota ima rezervno napajanje (zamenljiva CR2032 litijeva baterija) za obdobje 4 let. Baterija se menja po postopku opisanem na skici FIG.3 s pomočjo ploščatega izvijača, pomembna je polariteta baterije, ki se mora ujemati z oznako na nosilcu! Ko je baterija prazna, se na ekranu pojavi symbol baterije. Pri menjavi baterije podatki niso izgubljeni, ravno tako deluje čas.

Postopek menjave baterije zahteva odklop naprave z vira napetosti.

TEHNIČNI PODATKI

Napajanje	Navedeno na napravi (230 VAC 50-60Hz)
Toleranca	± 10%
Izhod (nazivni tok):	2x 16A (AC1) / 250V
	Fig. 2
Poraba:	Maximum 16 VA (1,3 W)
Tip kontakta	AgSnO ₂
Prikazovalnik	LCD z osvetlitvijo
Natančnost delovanja	± 1 s / dan pri 23 °C
Vpliv temperature na natančnost	± 0.15 s / °C / 24 ur
Rezervno napajanje	10 let (brez zunanjega napajanja) 48 ur (brez zunanjega napajanja in odstranjeno baterijo)
Struktura in razred programa	Razred A
Št. Programskih mest	40
Stopnja	2
Režimi delovanja	SUNRISE, SUNSET, FIXED TIME: ON/OFF, REDUC.
Prilagoditve astronomskega časa	Dnevno
Temperatura delovanja	-10 °C do +45 °C
Temperatura skladiščenja	-20 °C do +60 °C
Stopnja onesaženja	2
Kategorija zaščite	IP 20 po EN60529
Prenapetostna kategorija	II
Prehodna impulzna napetost	2.5 kV
Odpornost materiala na temperaturo	test s kroglo+ 80 °C EN60730-2-7
Dostop do tipkovnice	možnost zaklepa pokrova s pečatom
Priključki	Vijačne sponke, 4mm ² največji presek vodnika
Baterija (rezervno napajanje)	CR2032 - 3 V - 220 mAh
Dimenzije	2 DIN modula (35 mm) FIG. 5

OPOZORILO:

Naprava vsebuje baterijo, ki lahko vsebuje okolju škodljive snovi. Zato je pomembno, da se pri odlaganju izdelka v smeti baterijo prej odstrani in odloži v primeren zbirnik.